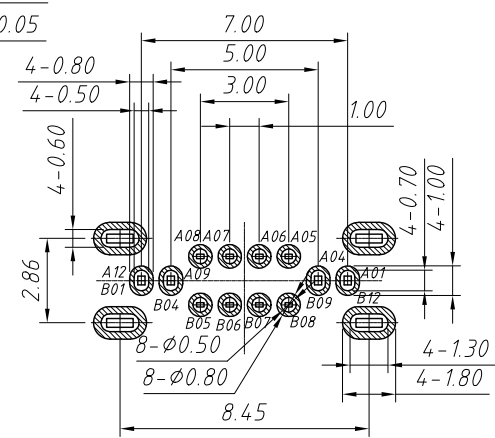
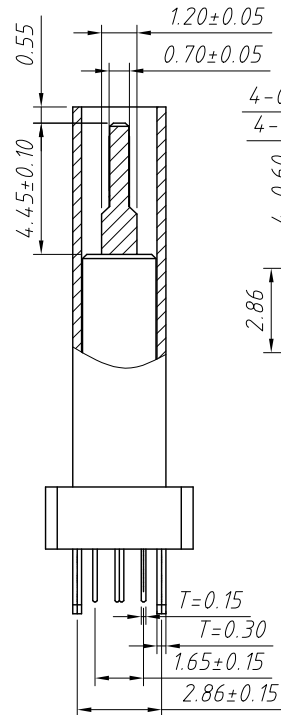
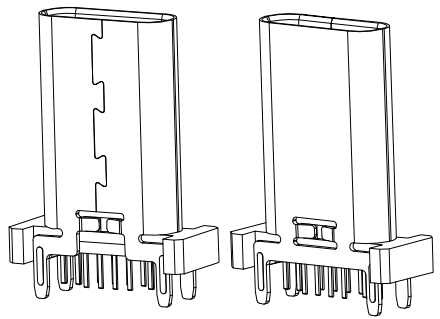
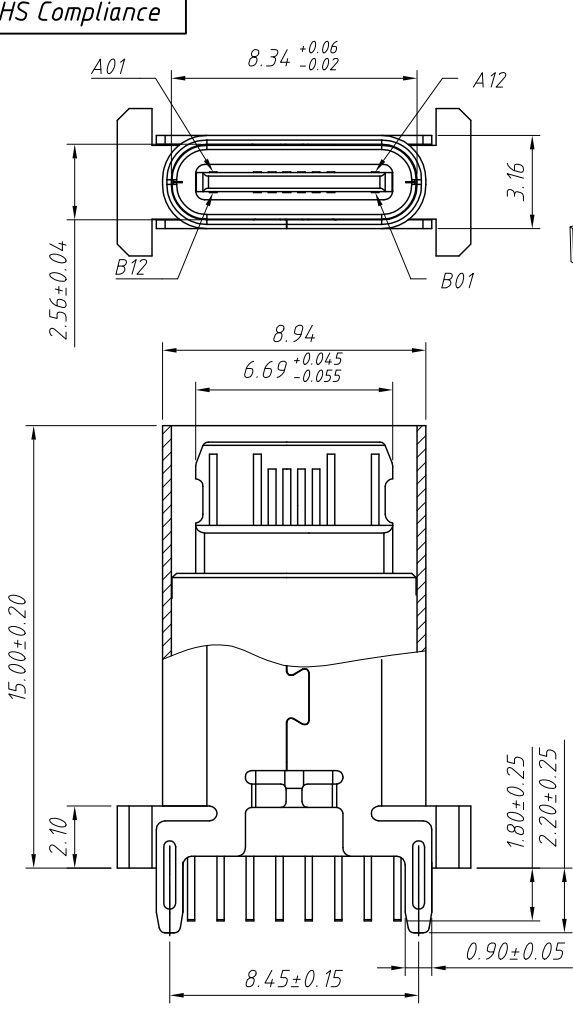


RoHS Compliance

REV	SYM	Revision Record	Appr.	Date
V0	KLS01323	New Version Release	WuHao	2025-09-12

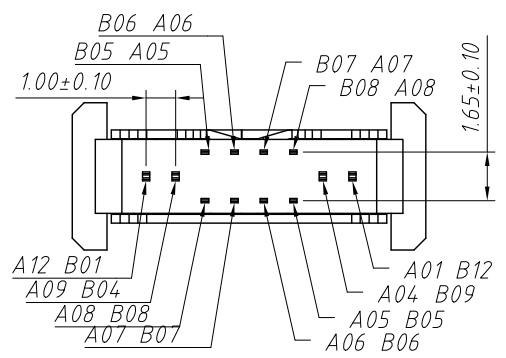
Material:
 Housing: PA9T, UL 94 V-0
 Terminal: C7025, T=0.15mm,
 3u" Gold Plating on contact points
 1u" Gold Plated On Pin welding Area
 Shell: SUS304, T=0.30mm
 50u" Nickel Plating Over All
 Salt Mist 48 Hour

Electric:
 Rated Current: 5A
 Contact Resistance: 40mΩ Max
 Insulation Resistance: 100MΩ Min
 Withstand voltage: 150V / 1mA Max
 Insertion: 5~20N
 Withdrawal Force: 8~20N
 Durability: 10000 Cycles, Withdrawal Force: 6N Min
 High temperature resistance: SMT reflow soldering
 (peak value 260±5°), plastic should not have bubbles,
 poor discoloration such as melting, and warping
 deformation within the tolerance range
 Tin Adhesion Test: Tin adhesion area reaches 95% Min
 Temperature Range: -30°C ~ +85°C



Recommended PCB Layout
 Tolerance: ±0.05mm

Order Information
L-KLS1-5536-L1-01
 RoHS
 USB Type
 Length:
 L1=1.0
 Plating Code:
 01=AU 1u" 03=AU 3u"
 15=AU 15u" 30=AU 30u"



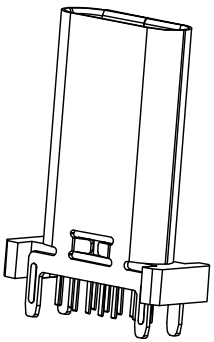
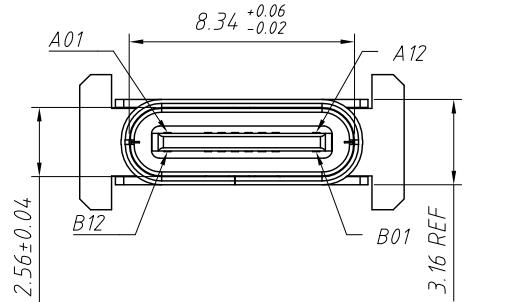
PIN	Signal Name	PIN	Signal Name
A1	GND	B12	GND
A4	VBUS	B9	VBUS
A5	CC1	B8	SBU2
A6	D+	B7	D-
A7	D-	B6	D+
A8	SBU1	B5	CC2
A9	VBUS	B4	VBUS
A12	GND	B1	GND

ANGLE TOLERANCE	PROJECTION	Description:	USB type-C connector	
±3°				
GENERAL TOLERANCE	UNITS	mm	KLS P/N:	L-KLS1-5536-L1-01
x.x ±0.30	SHEET SIZE	A4		
x.xx ±0.20	Draw:	WuHao	2025-09-12	
x.xxx ±0.10	Check:	Daniel	2025-09-12	

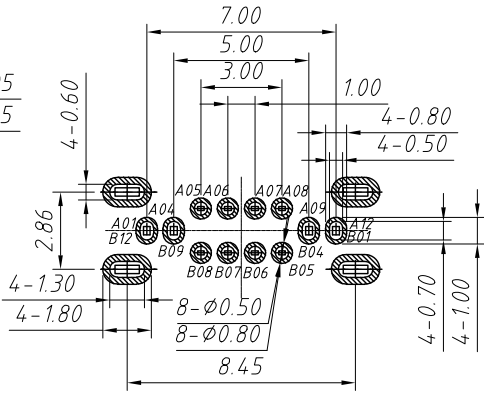
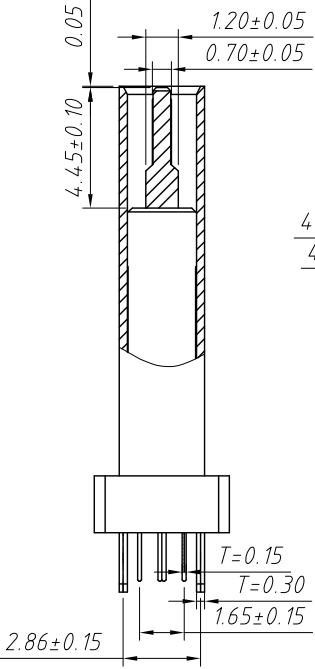
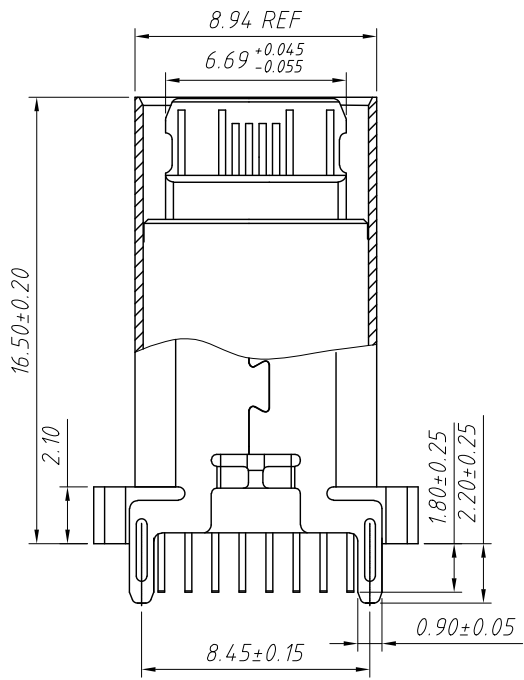
NingBo KLS ELECTRONIC CO.,LTD.

RoHS Compliance

REV	SYM	Revision Record	Appr.	Date
V0	KLS01323	New Version Release	WuHao	2025-09-12



Material:
 Housing: PA9T, UL 94V-0
 Terminal: C7025, T=0.15mm,
 3u" Gold Plating on contact points
 1u" Gold Plated On Pin welding Area
 Shell: SUS304, T=0.30mm
 50u" Nickel Plating Over All
 Salt Mist 48 Hour

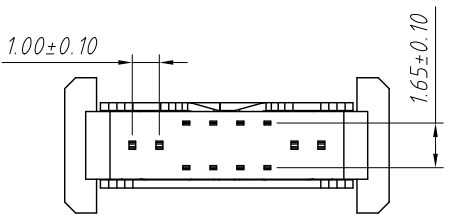


Recommended PCB Layout
 Tolerance: ±0.05mm

Electric:
 Rated Current: 5A
 Contact Resistance: 40mΩ Max
 Insulation Resistance: 100MΩ Min
 Withstand voltage: 150V / 1mA Max
 Insertion: 5~20N
 Withdrawal Force: 8~20 N
 Durability: 10000 Cycles, Withdrawal Force: 6 N Min
 High temperature resistance: SMT reflow soldering
 (peak value 260°±5°), plastic should not have bubbles,
 poor discoloration such as melting, and warping
 deformation within the tolerance range
 Tin Adhesion Test: Tin adhesion area reaches 95% Min
 Temperature Range: -30°C ~ +85°C

Order Information
 L-KLS1-5536-L2-01

RoHS
 USB Type
 Length: L2=2.0
 Plating Code:
 01=AU 1u" 03=AU 3u"
 15=AU 15u" 30=AU 30u"



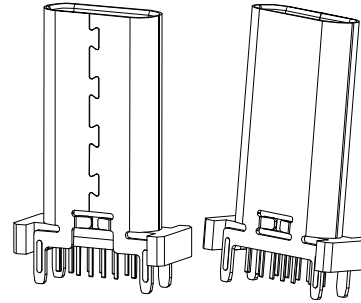
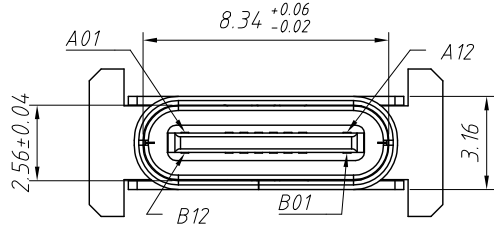
PIN	Signal Name	PIN	Signal Name
A1	GND	B12	GND
A4	VBUS	B9	VBUS
A5	CC1	B8	SBU2
A6	D+	B7	D-
A7	D-	B6	D+
A8	SBU1	B5	CC2
A9	VBUS	B4	VBUS
A12	GND	B1	GND

ANGLE TOLERANCE	PROJECTION	Description:	USB type-C connector	
±3°				
GENERAL TOLERANCE	UNITS	mm	KLS P/N:	L-KLS1-5536-L2-01
x.x ±0.30	SHEET SIZE	A4		
x.xx ±0.20	Draw:	WuHao	2025-09-12	
x.xxx ±0.10	Check:	Daniel	2025-09-12	

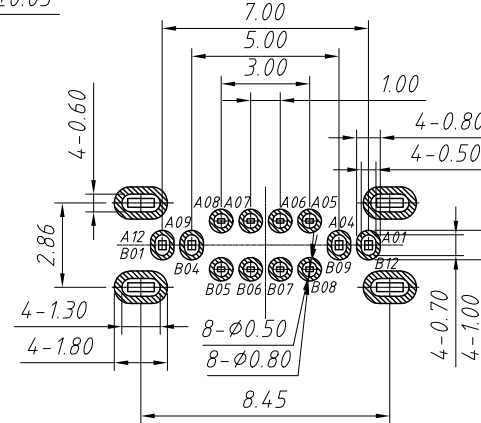
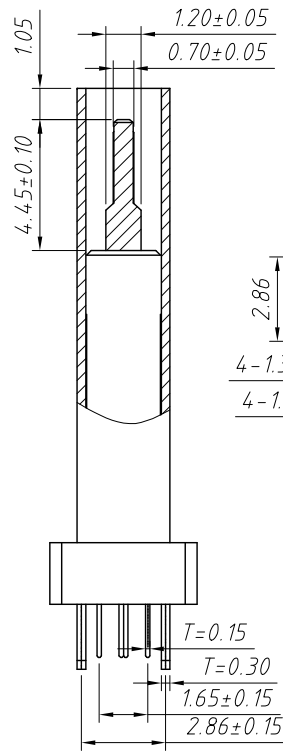
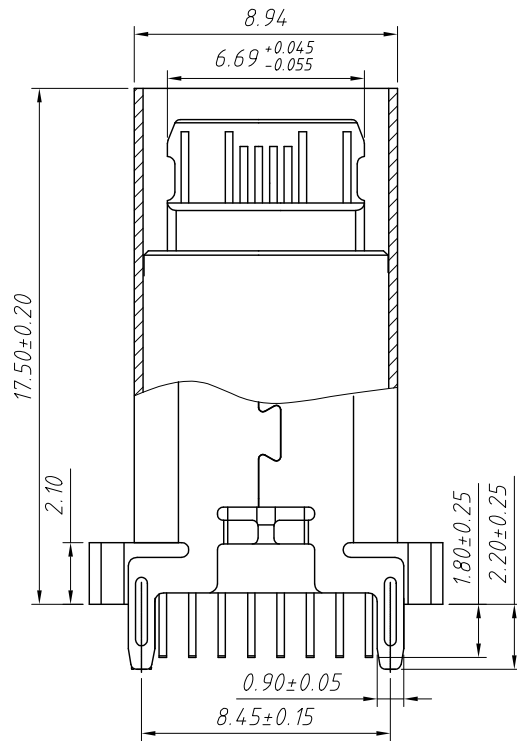
KLS NingBo KLS ELECTRONIC CO.,LTD.

RoHS Compliance

REV	SYM	Revision Record	Appr.	Date
V0	KLS01323	New Version Release	WuHao	2025-09-12

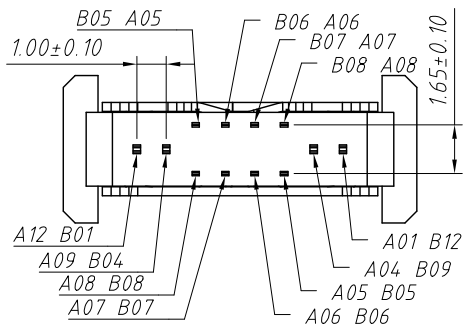


Material:
 Housing: PA9T, UL94V-0
 Terminal: C7025, T=0.15mm,
 3u" Gold Plating on contact points
 1u" Gold Plated On Pin welding Area
 Shell: SUS304, T=0.30mm
 50u" Nickel Plating Over All
 Salt Mist 48 Hour



Electric:
 Rated Current: 5A
 Contact Resistance: 40mΩ Max
 Insulation Resistance: 100MΩ Min
 Withstand voltage: 150V / 1mA Max
 Insertion: 5~20N
 Withdrawal Force: 8~20 N
 Durability: 10000 Cycles, Withdrawal Force: 6 N Min
 High temperature resistance: SMT reflow soldering
 (peak value 260°±5°), plastic should not have bubbles,
 poor discoloration such as melting, and warping
 deformation within the tolerance range
 Tin Adhesion Test: Tin adhesion area reaches 95% Min
 Temperature Range: -30°C ~ +85°C

Order Information
L-KLS1-5536-L3-01
 RoHS
 USB Type
 Length:
 L3=1.16
 Plating Code:
 01=AU 1u" 03=AU 3u"
 15=AU 15u" 30=AU 30u"



PIN	Signal Name	PIN	Signal Name
A1	GND	B12	GND
A4	VBUS	B9	VBUS
A5	CC1	B8	SBU2
A6	D+	B7	D-
A7	D-	B6	D+
A8	SBU1	B5	CC2
A9	VBUS	B4	VBUS
A12	GND	B1	GND

ANGLE TOLERANCE	PROJECTION	Description:
±3°		USB type-C connector
GENERAL TOLERANCE	UNITS	mm
x.x ±0.30	SHEET SIZE	A4
x.xx ±0.20	Draw:	WuHao 2025-09-12
x.xxx ±0.10	Check:	Daniel 2025-09-12



NingBo KLS ELECTRONIC CO.,LTD.