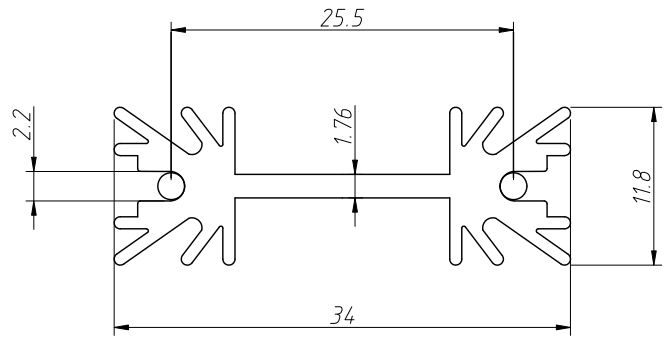
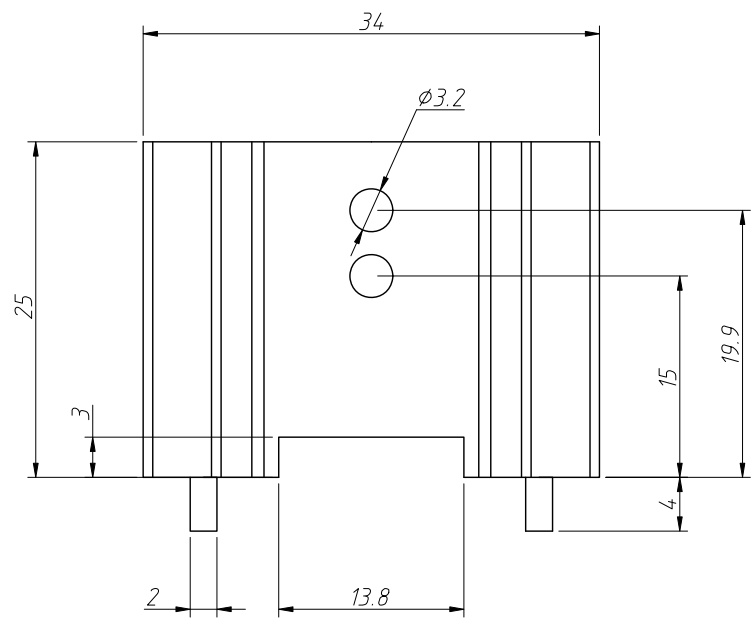


1
RoHS Compliance

6		7		8	
REV	SYM	Revision Record		Appr.	Date
V0	KLS20064	New Version Release		Song	2025-07-25



Material: Aluminum, Black Oxide



ANGLE TOLERANCE	PROJECTION	Description: Radiator			
±3°					
GENERAL TOLERANCE	UNITS	mm	KLS P/N:	L-KLS21-E1013-BA-H25	
x.x ±0.30	SHEET SIZE	A4		NingBo KLS ELECTRONIC CO.,L TD.	
x.xx ±0.20	Draw:	Song	2025-07-25		
x.xxx ±0.10	Check:	Daniel	2025-07-25		