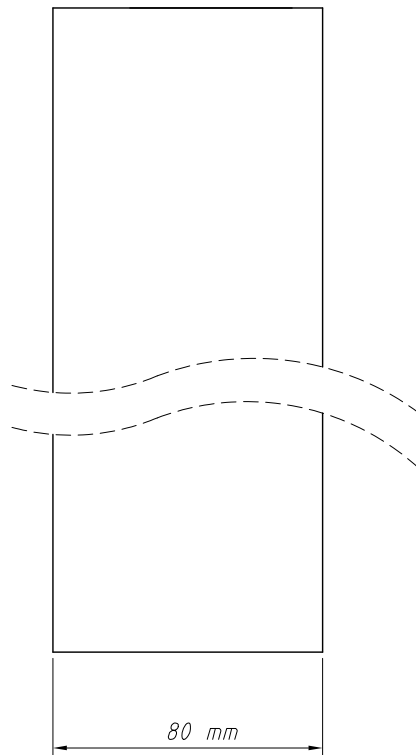
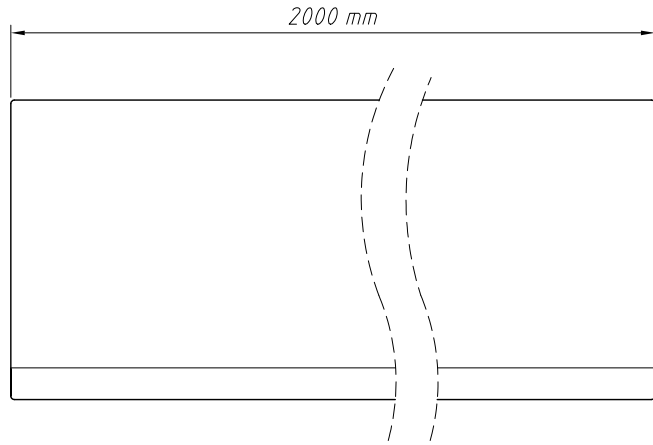
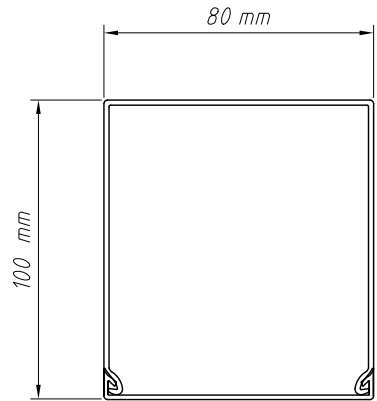


1  
RoHS Compliance

7		8	
REV	SYM	Revision Record	Appr. Date
V0	KLS08276	New Version Release	WuHao 2025-06-23



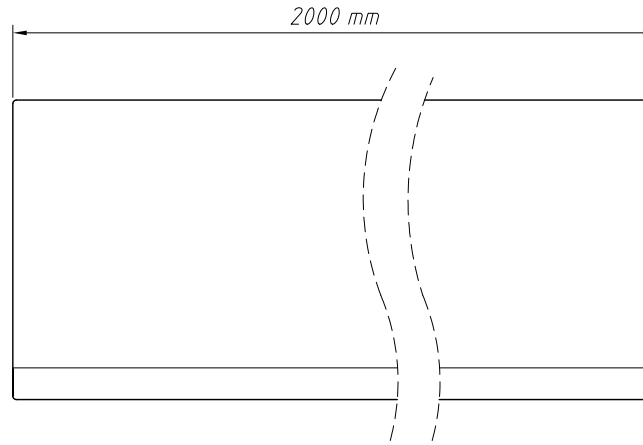
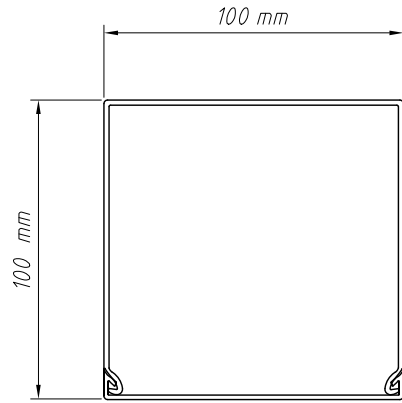
Material: PVC, UL 94-V0

ANGLE TOLERANCE	PROJECTION	Description:	
±3°		Wiring Ducts	
GENERAL TOLERANCE	UNITS	mm	KLS P/N: L-KLS8-01002-WH-100X80
x.x ±0.30	SHEET SIZE	A4	
x.xx ±0.20	Draw:	WuHao	2025-06-23
x.xxx ±0.10	Check:	Daniel	2025-06-23

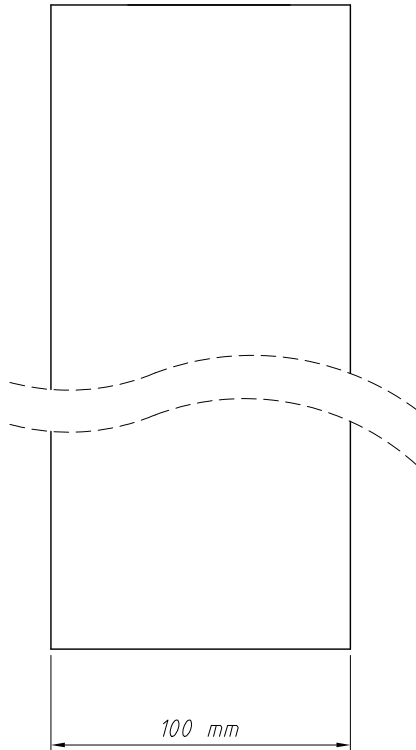


1  
RoHS Compliance

7		8	
REV	SYM	Revision Record	Appr. Date
V0	KLS08276	New Version Release	WuHao 2025-06-23



Material: PVC, UL 94-V0



ANGLE TOLERANCE	PROJECTION	Description:	
±3°		Wiring Ducts	
GENERAL TOLERANCE	UNITS	mm	KLS P/N: L-KLS8-01002-WH-100X100
x.x ±0.30	SHEET SIZE	A4	
x.xx ±0.20	Draw:	WuHao	2025-06-23
x.xxx ±0.10	Check:	Daniel	2025-06-23



NingBo KLS ELECTRONIC CO.,LTD.