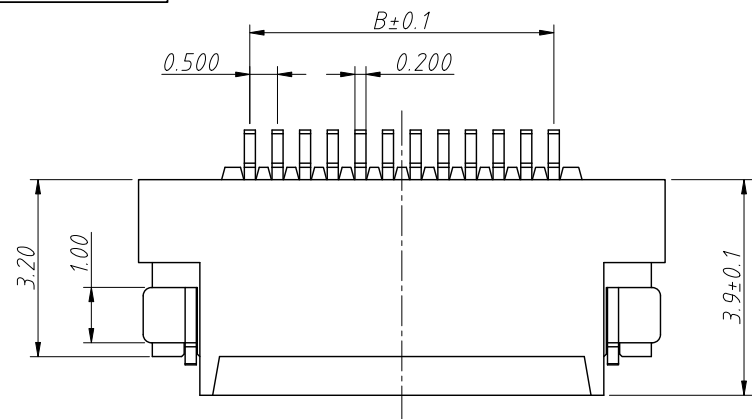


1 RoHS Compliance

REV	SYM	Revision Record	Appr.	Date
V0	KLS01139	New Version Release	Song	2025-07-09

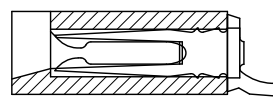
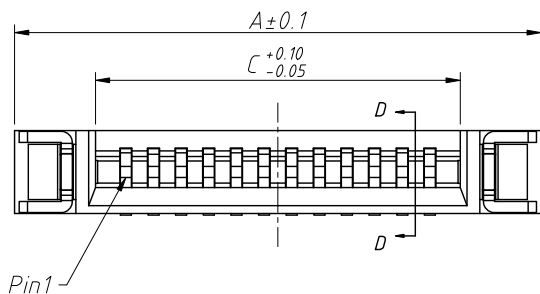


Order Information

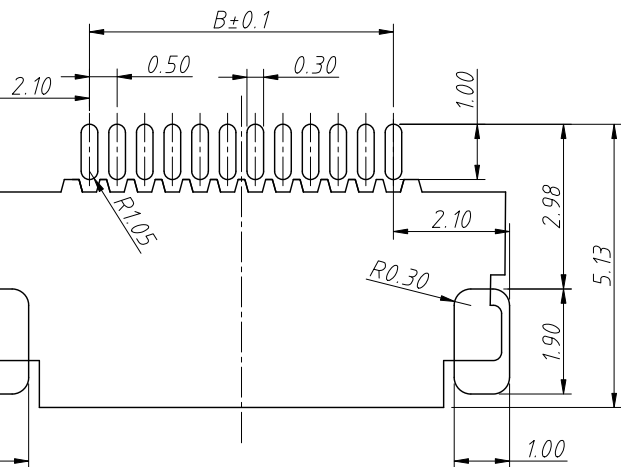
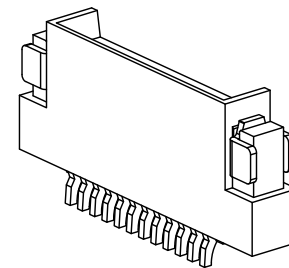
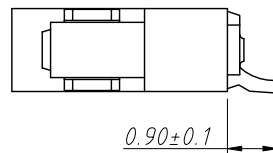
L-KLS1-3242B-1.5-12-T-R

RoHS  
 Series No.  
 Height: 1.5mm  
 No. Of pins (04~60 pins)  
 T-SMT Pin  
 Packing: T-Tube R-Reel

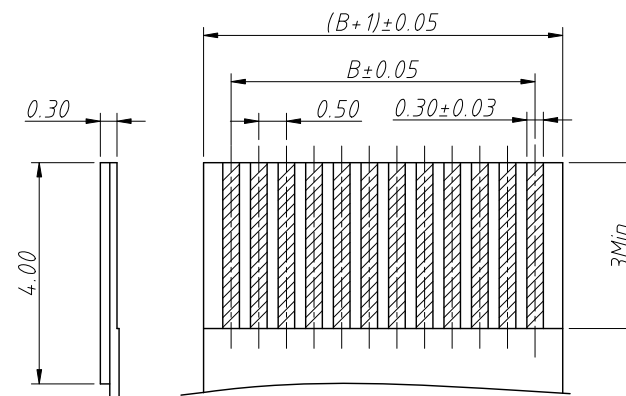
Material:  
 Housing: Nylon 46, UL94-V0  
 Contacts: Brass T=0.20, Tin Over Nickel  
 Leg: Brass T=0.20, Tin Over Nickel



SECTION D-D



Recommended PCB Layout  
 Tolerance: ±0.05mm



Applicable FPC

Part No.	Dimension			Part No.	Dimension		
	A	B	C		A	B	C
04P	5.53	1.5	2.57	33P	20.03	16.0	17.07
05P	6.03	2.0	3.07	34P	20.53	16.5	17.57
06P	6.53	2.5	3.57	35P	21.03	17.0	18.07
07P	7.03	3.0	4.07	36P	21.53	17.5	18.57
08P	7.53	3.5	4.57	37P	22.03	18.0	19.07
09P	8.03	4.0	5.07	38P	22.53	18.5	19.57
10P	8.53	4.5	5.57	39P	23.03	19.0	20.07
11P	9.03	5.0	6.07	40P	23.53	19.5	20.57
12P	9.53	5.5	6.57	41P	24.03	20.0	21.07
13P	10.03	6.0	7.07	42P	24.53	20.5	21.57
14P	10.53	6.5	7.57	43P	25.03	21.0	22.07
15P	11.03	7.0	8.07	44P	25.53	21.5	22.57
16P	11.53	7.5	8.57	45P	26.03	22.0	23.07
17P	12.03	8.0	9.07	46P	26.53	22.5	23.57
18P	12.53	8.5	9.57	47P	27.03	23.0	24.07
19P	13.03	9.0	10.07	48P	27.53	23.5	24.57
20P	13.53	9.5	10.57	49P	28.03	24.0	25.07
21P	14.03	10.0	11.07	50P	28.53	24.5	25.57
22P	14.53	10.5	11.57	51P	29.03	25.0	26.07
23P	15.03	11.0	12.07	52P	29.53	25.5	26.57
24P	15.53	11.5	12.57	53P	30.03	26.0	27.07
25P	16.03	12.0	13.07	54P	30.53	26.5	27.57
26P	16.53	12.5	13.57	55P	31.03	27.0	28.07
27P	17.03	13.0	14.07	56P	31.53	27.5	28.57
28P	17.53	13.5	14.57	57P	32.03	28.0	29.07
29P	18.03	14.0	15.07	58P	32.53	28.5	29.57
30P	18.53	14.5	15.57	59P	33.03	29.0	30.07
31P	19.03	15.0	16.07	60P	33.53	29.5	30.57
32P	19.53	15.5	16.57				

ANGLE TOLERANCE	PROJECTION	Description:		
±3°		0.5mm FPC/FFC connectors		
GENERAL TOLERANCE	UNITS	mm	KLS P/N:	L-KLS1-3242B-1.5-XX-T-R
x.x ±0.25	SHEET SIZE	A4		
x.xx ±0.20	Draw:	Song	2025-07-09	
x.xxx ±0.15	Check:	Daniel	2025-07-09	

NingBo KLS ELECTRONIC CO.,LTD.