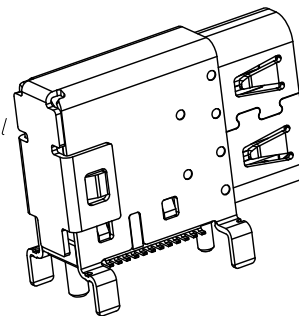


RoHS Compliance

REV	SYM	Revision Record	Appr.	Date
V0	KLS01472	New Version Release	WuHao	2025-06-06

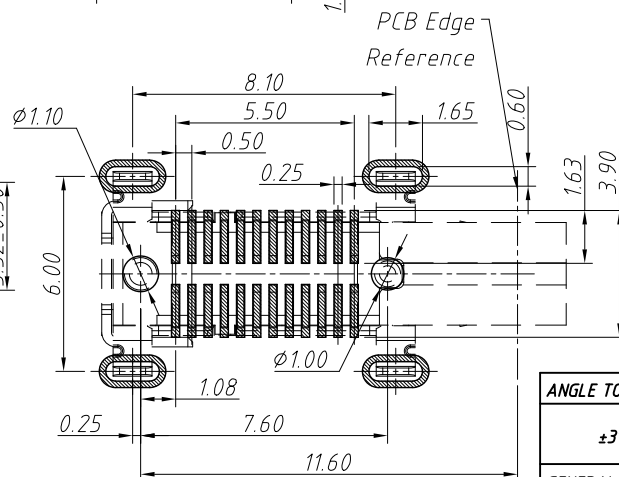
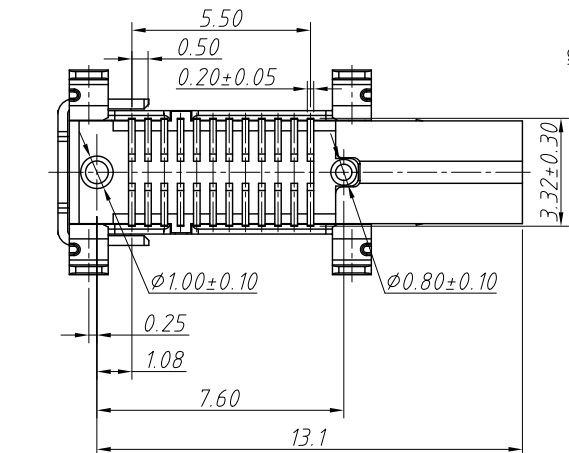
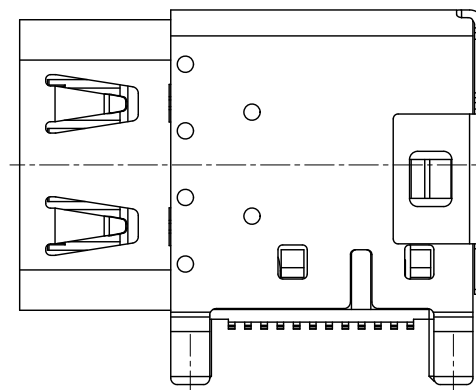
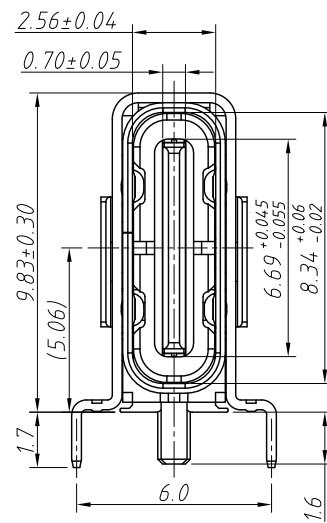
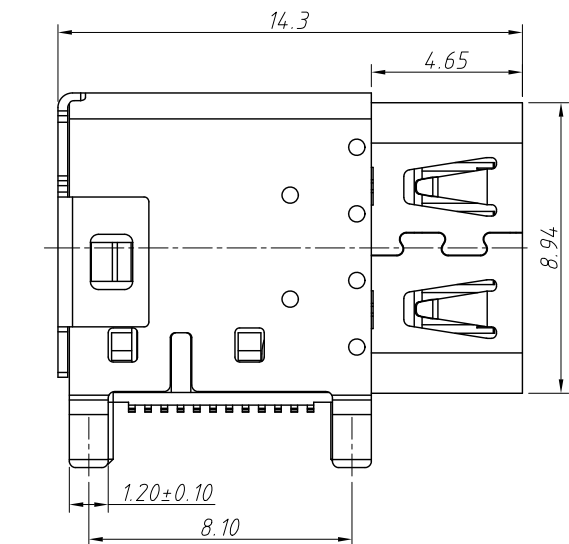
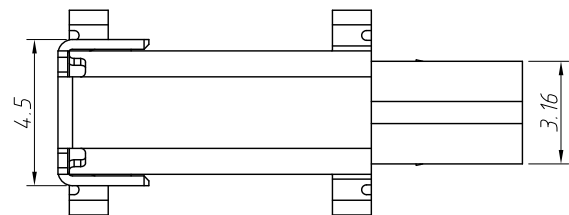
Material:  
 HOUSING: LCP UL94V-0,Black  
 Terminal:C18400,Au 1u" Min,Plated On Contact Area  
 G/F Plated On Solder Area  
 Ni 20u" Min,Underplated Overall  
 Out / Inner Shell:SUS304,Ni 20u" Min Plated Overall  
 MID Plate:SUS301,Cleaning  
 Emi:SUS301,Ni 20u" Min,Plated Overall



Electric:  
 Rated Current:VBUS And Gnd Pin:5.0A  
 Other Pin:0.25A  
 Contact Resistance:40mΩ Max (Initial)  
 50mΩ Max (After)  
 Insulation Resistance:100MΩ Min  
 Dielectric Withstanding Voltage:100V AC R.M.S.  
 Mating Force:5N~20N  
 Unmating Force:8N~20N (After Test:6N~20N)  
 Lily:10000 Cycles Min  
 Operating Condition:Temperature -40°C~+85°C  
 Humidity 80% R,H Max

Salt Spray:24H  
 Solder Ability:245±5°C, 5±0.5s  
 IR Reflow:The Peak Temperature On The Board Shall  
 Be Maintained For 10 Seconds At 260°C.

PIN	Signal Name	PIN	Signal Name
A1	GND	B12	GND
A2	SSTXp1	B11	SSTXp1
A3	SSTXn1	B10	SSTXn1
A4	VBUS	B9	VBUS
A5	CC1	B8	SBU2
A6	DP1	B7	D-
A7	DN1	B6	D+
A8	SBU1	B5	CC2
A9	VBUS	B4	VBUS
A10	SSRXn2	B3	SSRXn2
A11	SSRXp2	B2	SSRXp2
A12	GND	B1	GND



Recommended PCB Layout  
 Tolerance:±0.05mm

Order Information

L-KLS1-5535-01-R

RoHS  
 USB Type  
 Plating Code:  
 01=AU 1u" 03=AU 3u"  
 15=AU 15u" 30=AU 30u"  
 Packing:R=Reel

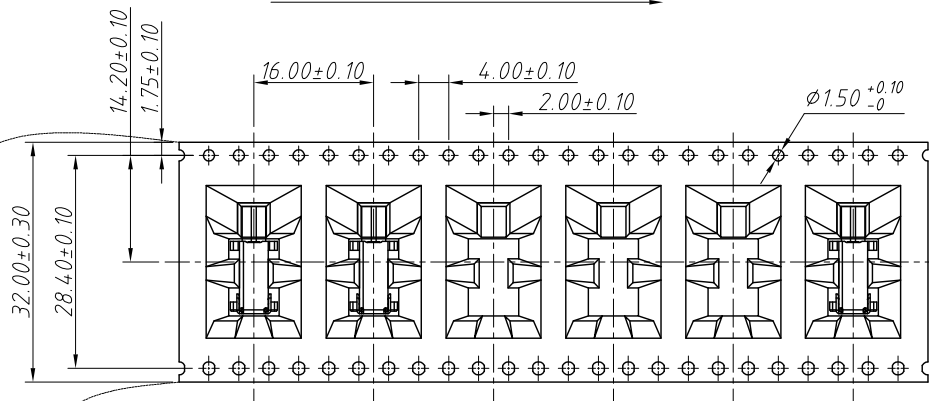
ANGLE TOLERANCE	PROJECTION	Description:
±3°		USB Type-C Connector
GENERAL TOLERANCE	UNITS	mm
.x ±0.30	SHEET SIZE	A4
.xx ±0.20	Draw:	WuHao
.xxx ±0.10	Check:	Daniel

KLS ELECTRONIC  
 NingBo KLS ELECTRONIC CO.,LTD.

RoHS Compliance

REV		SYM	Revision Record	Appr.	Date
V0		KLS01472	New Version Release	WuHao	2025-06-06

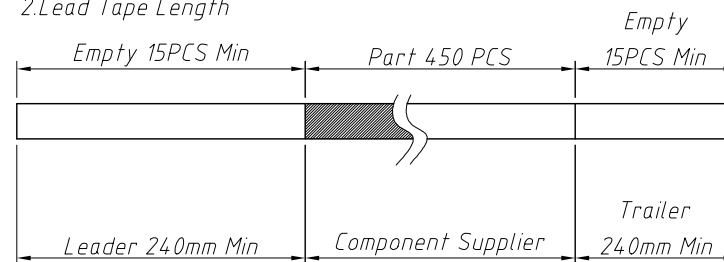
User Direction Of Unreeling



Notes:

1.Number Of Connectors:450PCS /Reel

2.Lead Tape Length



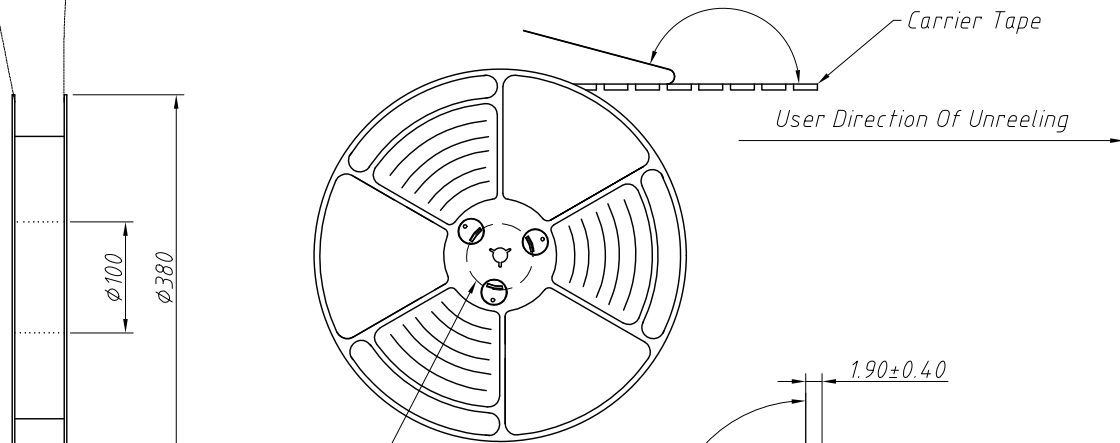
3.Quantity:3600PCS /Carton

Cover Tape Peeling Angle:165°~180°

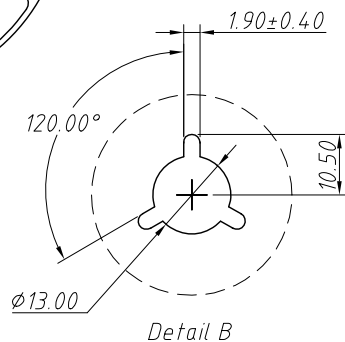
Peeling Force:20~130g

Carrier Tape

User Direction Of Unreeling



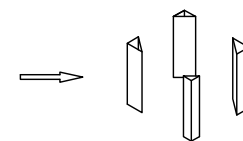
Detail B



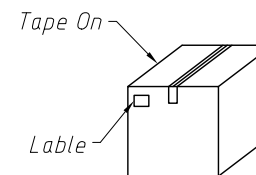
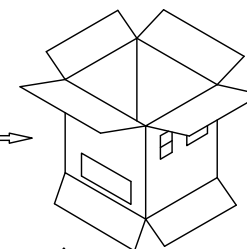
Detail B

4- Triangle Partition

8-Reel



Carton  
390×390×390



ANGLE TOLERANCE	PROJECTION	Description:
±3°		USB Type-C Connector
GENERAL TOLERANCE	UNITS	mm
.x ±0.30	SHEET SIZE	A4
.xx ±0.20	Draw:	WuHao 2025-06-06
.xxx ±0.10	Check:	Daniel 2025-06-06
		KLS P/N: L-KLS1-5535-XX-R



NingBo KLS ELECTRONIC CO.,LTD.