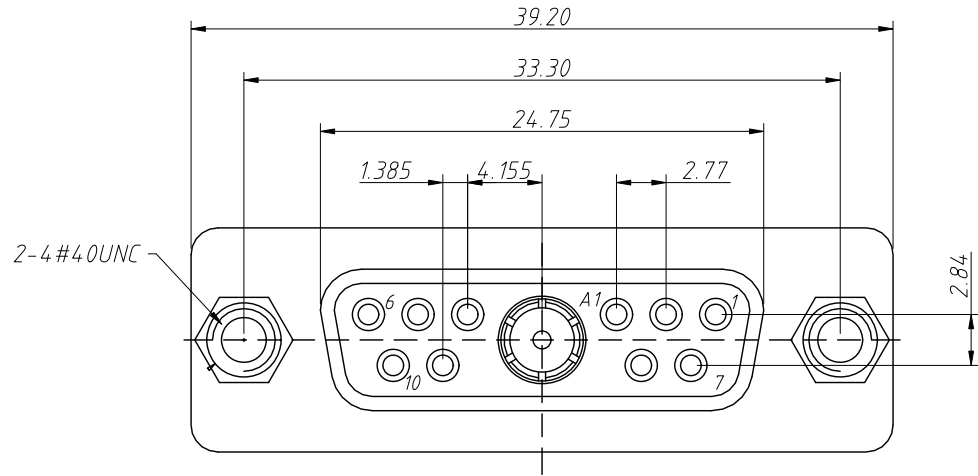


1 RoHS Compliance

REV	SYM	Revision Record	Appr.	Date
V0	KLS01545	New Version Release	Song	2025-06-19



1.Material:

Rubber Core:PBT+30%GF,UL 94 V-0,Black
 Contact:Copper Alloy,Gold Plated
 Shell:SPCC,Front Shell Nickel Plated,
 Back Shell Tin Plated
 Copper pillar:Copper Alloy,Tin Plated
 Screw:Iron Alloy,Nickel Plated

2.Electric:

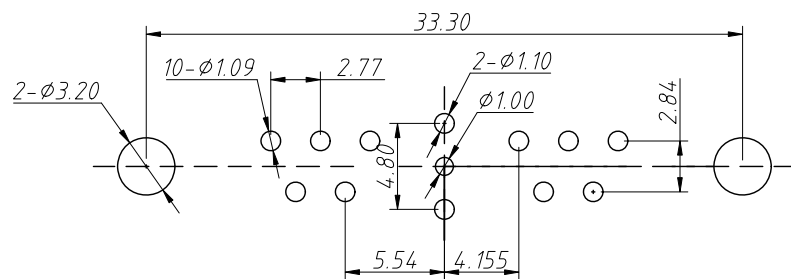
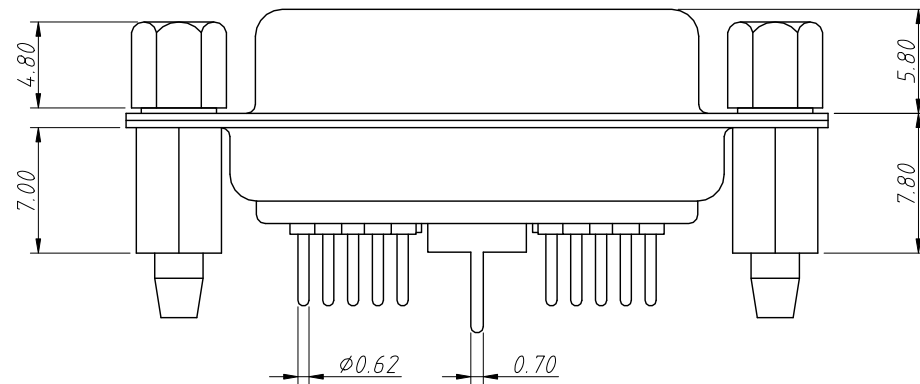
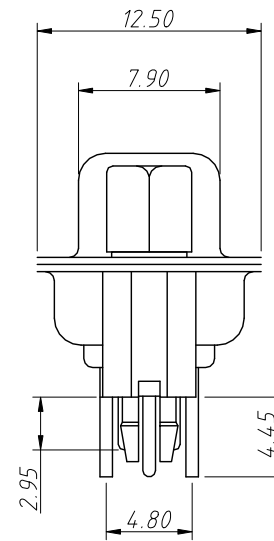
High Frequency Contact Impedance:62 OHM
 Radio Frequency:0~3 GHz
 Working Voltage:300 V
 Dielectric Withstand Voltage:1000 V AC For 1min
 Insulation Resistance:2000 MEGAOHMS
 Temperature Rating :-55°C~+105°C

3.After 48 hours of salt spray testing,
 there should be no oxidation or rust phenomenon
 4.The finished product must not have bent needle defects

Order Information:

L-KLS1-DBRF2A-11W1-F-G1U-B-60-W

L: RoHS
 No.Of Pin:11W1
 F-Female M-Male
 G1U=Gold 1u" G3U=Gold 3u"...
 Color:
 B-Black W-White G-Green
 Impedance:50-50Ω 60-60Ω 75-75Ω
 W-With Rivet

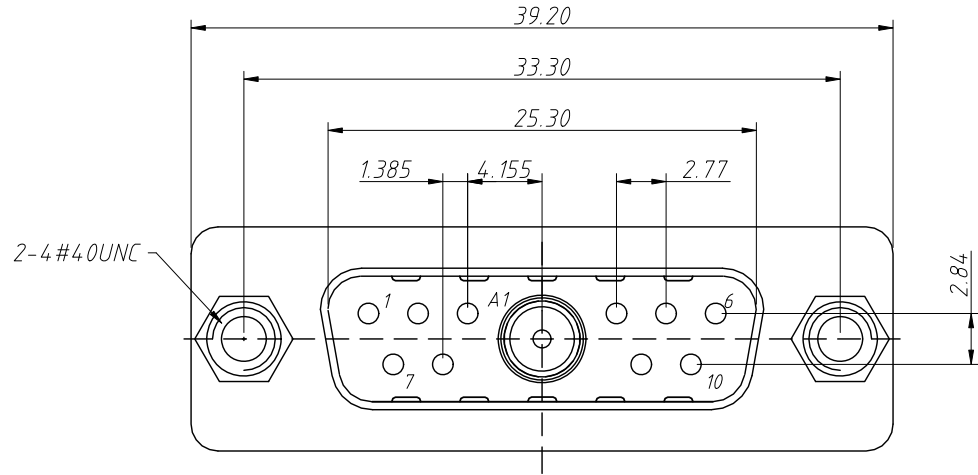


Recommended PCB Layout
 Tolerance:±0.05mm

ANGLE TOLERANCE	PROJECTION	Description:	11W1D-SUB Coaxial Connectors	
±3°				
GENERAL TOLERANCE	UNITS	mm	KLS P/N:	L-KLS1-DBRF2A-11W1-F-GXU-X-XX-W
x. ±0.5	SHEET SIZE	A4		
x.x ±0.3	Draw:	Song	2025-06-19	NingBo KLS ELECTRONIC CO.,L TD.
x.xx ±0.2	Check:	Daniel	2025-06-19	

1 RoHS Compliance

REV	SYM	Revision Record	Appr.	Date
V0	KLS01545	New Version Release	Song	2025-06-19



1.Material:

Rubber Core:PBT+30%GF,UL 94 V-0,Black
 Contact:Copper Alloy,Gold Plated
 Shell:SPCC,Front Shell Nickel Plated,
 Back Shell Tin Plated
 Copper pillar:Copper Alloy,Tin Plated
 Screw:Iron Alloy,Nickel Plated

2.Electric:

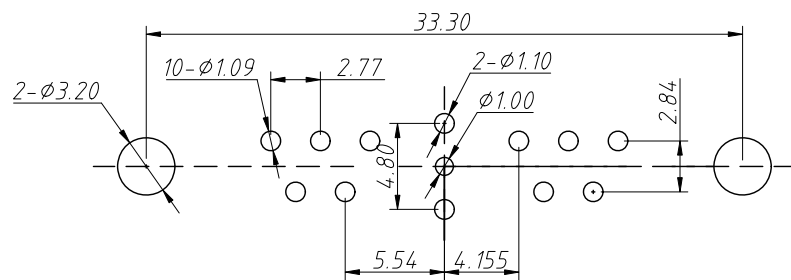
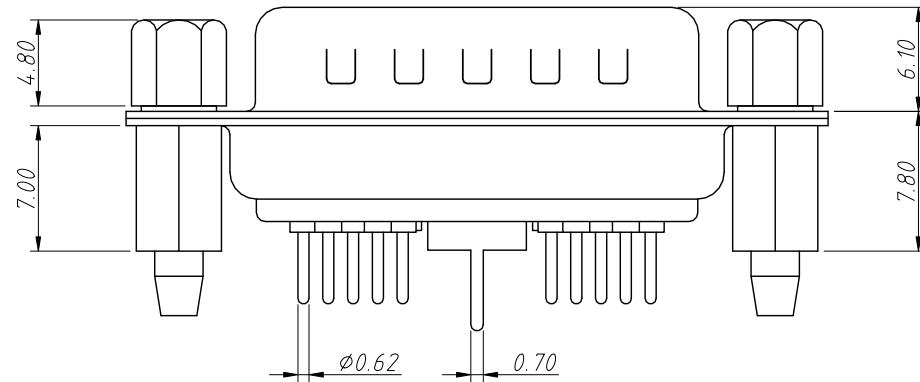
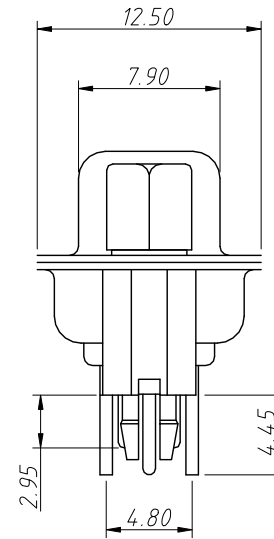
High Frequency Contact Impedance:62 OHM
 Radio Frequency:0~3 GHz
 Working Voltage:300 V
 Dielectric Withstand Voltage:1000 V AC For 1min
 Insulation Resistance:2000 MEGAOHMS
 Temperature Rating :-55°C~+105°C

3.After 48 hours of salt spray testing,
 there should be no oxidation or rust phenomenon
 4.The finished product must not have bent needle defects

Order Information:

L-KLS1-DBRF2A-11W1-M-G1U-B-60-W

L: RoHS
 No.Of Pin:11W1
 F-Female M-Male
 G1U=Gold 1u" G3U=Gold 3u"...
 Color:
 B-Black W-White G-Green
 Impedance:50-50Ω 60-60Ω 75-75Ω
 W-With Rivet



Recommended PCB Layout
 Tolerance:±0.05mm

ANGLE TOLERANCE	PROJECTION	Description:	11W1D-SUB Coaxial Connectors	
±3°				
GENERAL TOLERANCE	UNITS	mm	KLS P/N:	L-KLS1-DBRF2A-11W1-M-GXU-X-XX-W
x. ±0.5	SHEET SIZE	A4		
x.x ±0.3	Draw:	Song	2025-06-19	NingBo KLS ELECTRONIC CO.,L TD.
x.xx ±0.2	Check:	Daniel	2025-06-19	