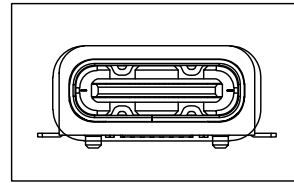
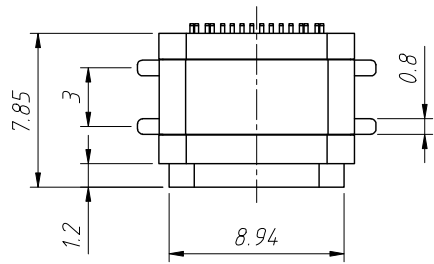
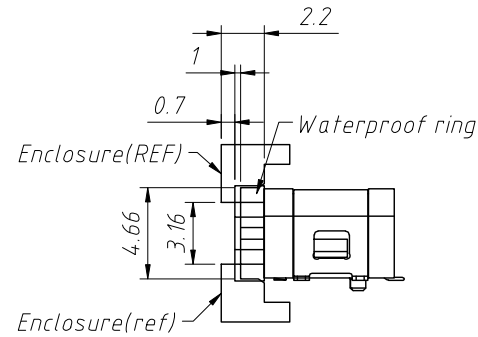


1 RoHS Compliance

| | | | | |
|-----|----------|---------------------|-------|------------|
| REV | SYM | Revision Record | Appr. | Date |
| V0 | KLS01323 | New Version Release | Jenny | 2024-07-30 |



Recommended Schematic Drawing of Connector Match Chassis



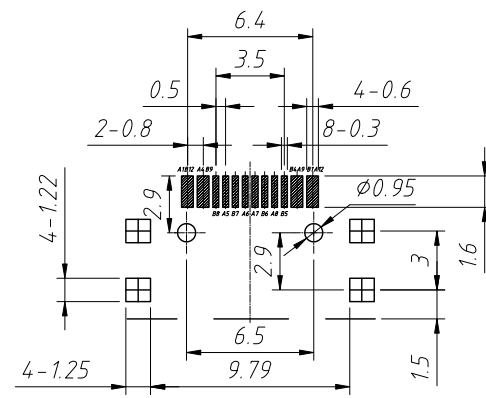
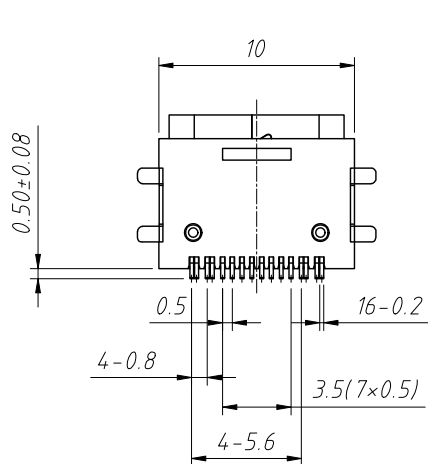
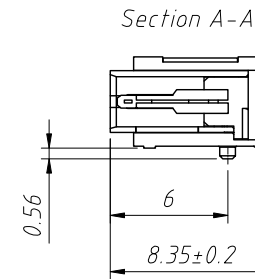
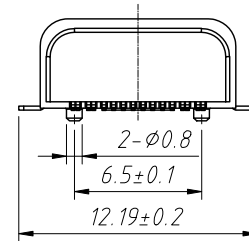
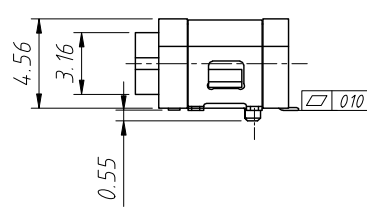
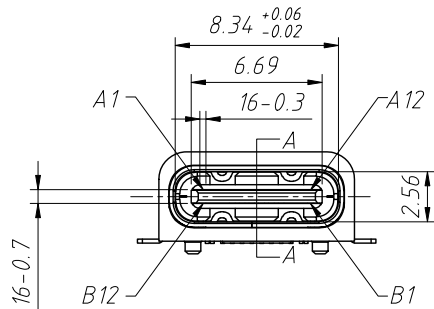
Material:

1. Housing: PA9T, Black
2. Shell Housing: PA9T, Black
3. Contact: C7025, Contact Plating: Au (1u"), Soldering Plating: Au G/F
4. Shielding Plate: Stainless Steel, Ni Plated: 40u" Min
5. Shell: Stainless Steel, Ni Plated: 40u" Min
6. Run-Ring: Siica gel, Black

Electrical Characteristics:

1. Current Rating: 3.0A Max
2. Voltage: 30 VAC
3. Temperature Range: -30°C ~ +85°C
4. Contact Resistance: 40mΩ Max
5. Insulation Resistance: 100MΩ Min.
6. Insertion Force: 6N-20N
7. Unmating Force: 8N-20N
8. Durability: 10000 Cycles
9. Water Proofness:

This product is Based On IPX7 (1.5M 30min).



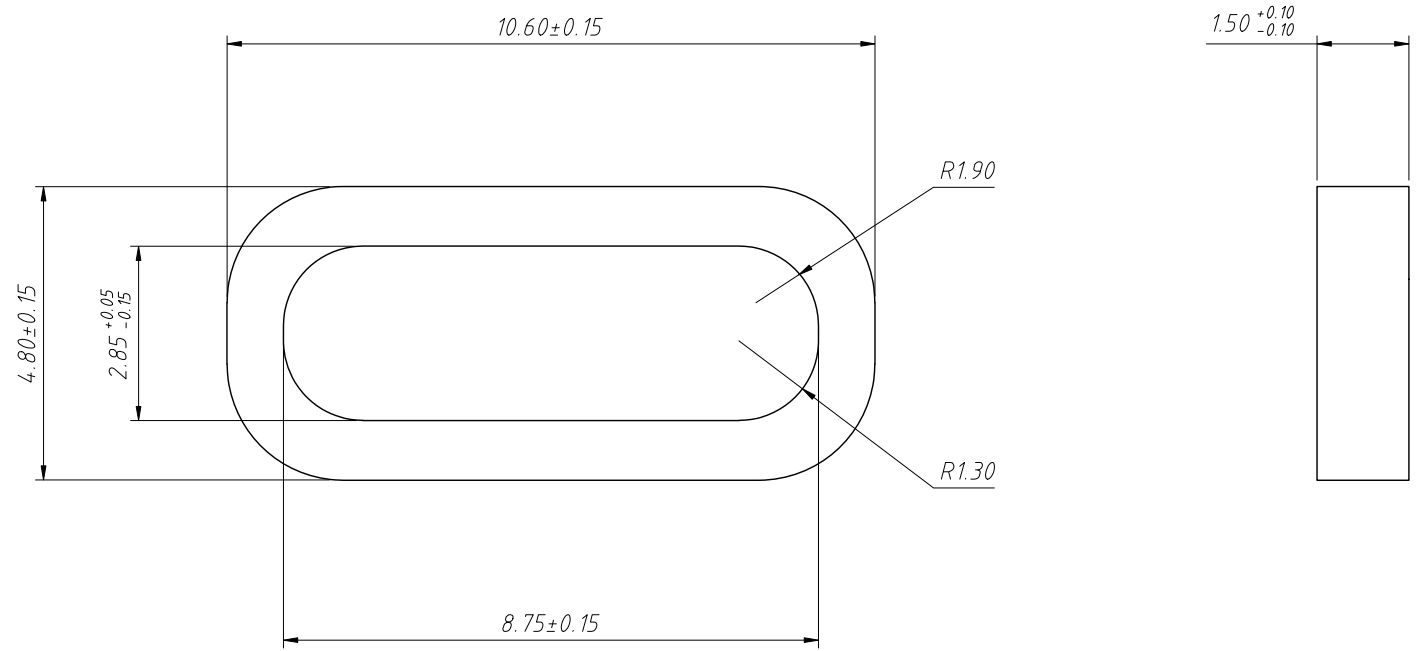
Recommended PCB Layout
PCB Board Tolerance ±0.05mm

| | | | |
|-----|-------------|-----|-------------|
| A1 | GND | B12 | GND |
| A4 | VBUS | B9 | VBUS |
| A5 | CC1 | B8 | SBU2 |
| A6 | DP1 | B7 | DN2 |
| A7 | DN1 | B6 | DP2 |
| A8 | SBU1 | B5 | CC2 |
| A9 | VBUS | B4 | VBUS |
| A12 | GND | B1 | GND |
| PIN | Signal Name | PIN | Signal Name |

| | | |
|-------------------|------------|---------------------------------|
| ANGLE TOLERANCE | PROJECTION | Description: |
| ±3° | | USB Type-C Waterproof Connector |
| GENERAL TOLERANCE | UNITS | mm |
| x.x ±0.30 | SHEET SIZE | A4 |
| x.xx ±0.20 | Draw: | Jenny |
| x.xxx ±0.10 | Check: | Daniel |
| KLS P/N: | | L-KLS1-PUB-019-R |
| KLS ELECTRONIC | | NingBo KLS ELECTRONIC CO.,LTD. |

1
RoHS Compliance

| | | |
|-------|----------|---------------------|
| 6 | 7 | 8 |
| REV | SYM | Revision Record |
| V0 | KLS01323 | New Version Release |
| Appr. | Jenny | Date |
| | | 2024-07-30 |



Note:
 Material: Silicone
 Color: Black
 Hardness :55±5
 Excessive temperature 265°C can not be deformed and discolored

| | | |
|-------------------|---------------|---------------------------------|
| ANGLE TOLERANCE | PROJECTION | Description: |
| $\pm 3^\circ$ | | Waterproof ring |
| GENERAL TOLERANCE | UNITS | KLS P/N: |
| x.x ± 0.30 | mm | L-KLS1-PUB-019-R |
| x.xx ± 0.20 | SHEET SIZE | NingBo KLS ELECTRONIC CO.,L TD. |
| x.xxx ± 0.10 | A4 | |
| | Draw: Jenny | |
| | Check: Daniel | 2024-07-30 |