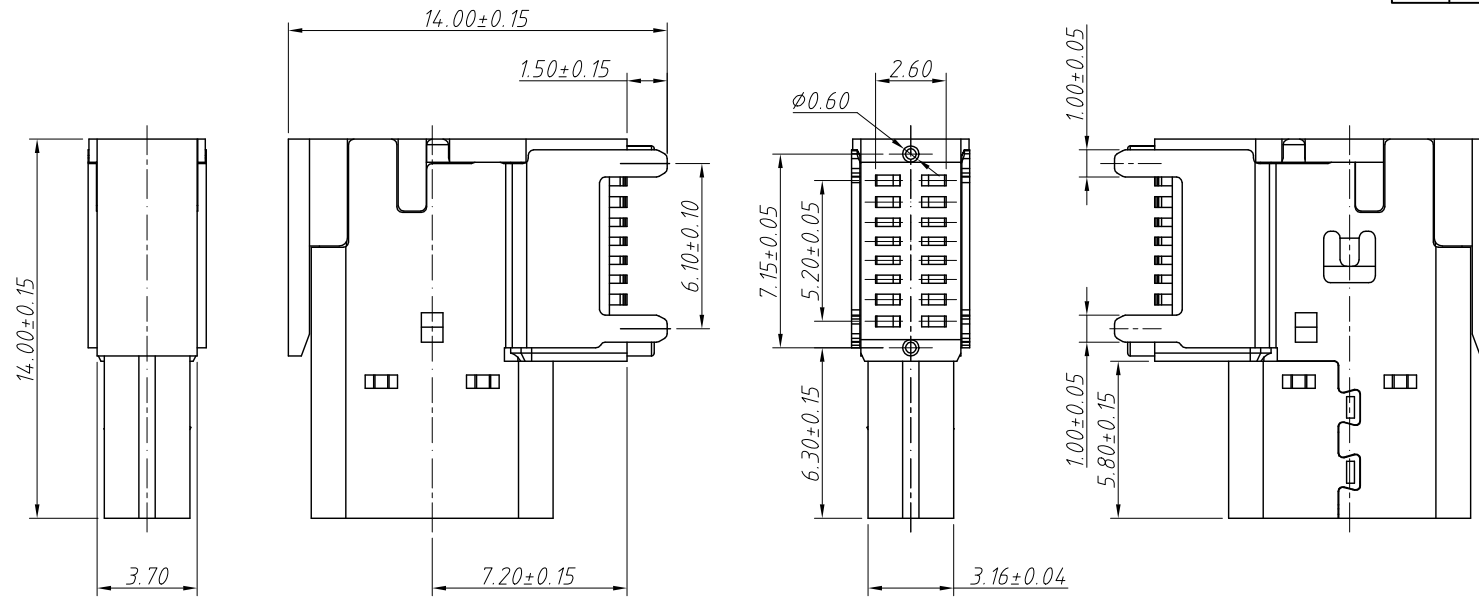


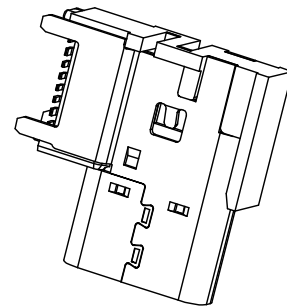
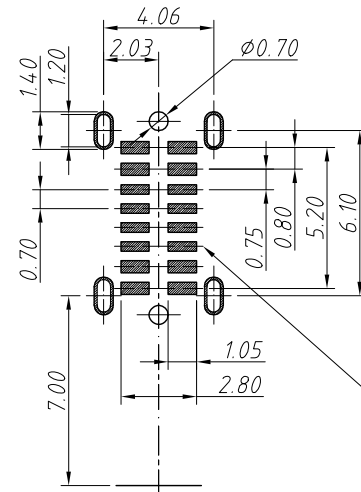
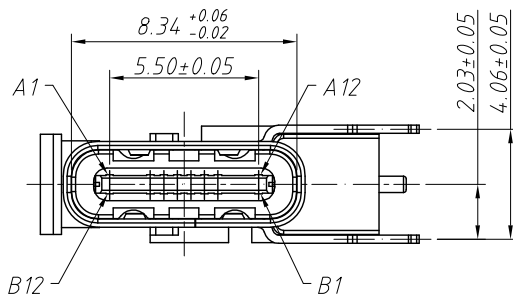
RoHS Compliance

REV	SYM	Revision Record	Appr.	Date
V0	KLS01323	New Version Release	WuHao	2025-05-28



**Material:**  
 Shell: SUS304, 80u" Nickel Plating Min,  
 T=0.30mm  
 Terminal: C7025, 1u" Min Gold Plated  
 On Contact Point, G/F On Pin  
 Welding Area  
 Plastic: LCP, Black  
 Hook: SUS301, T=0.15mm

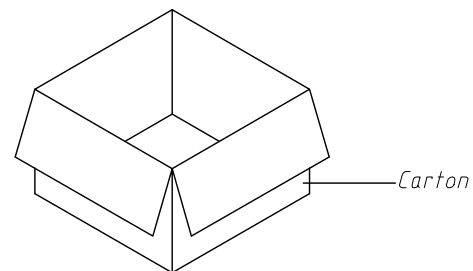
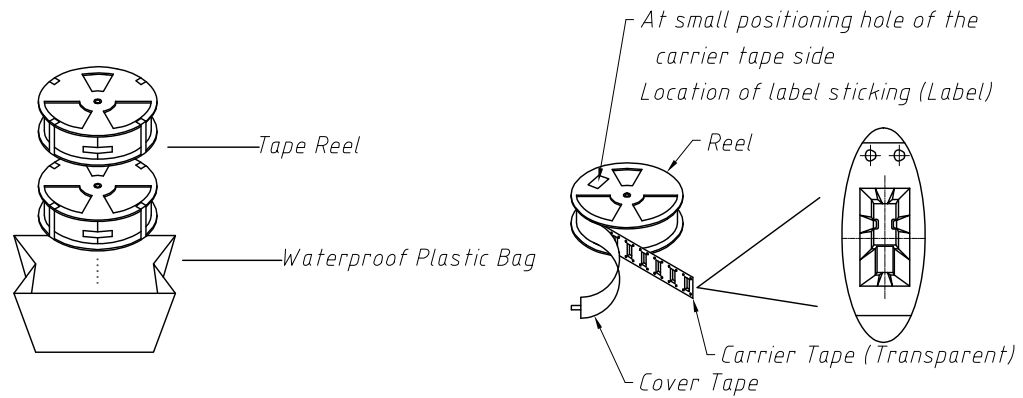
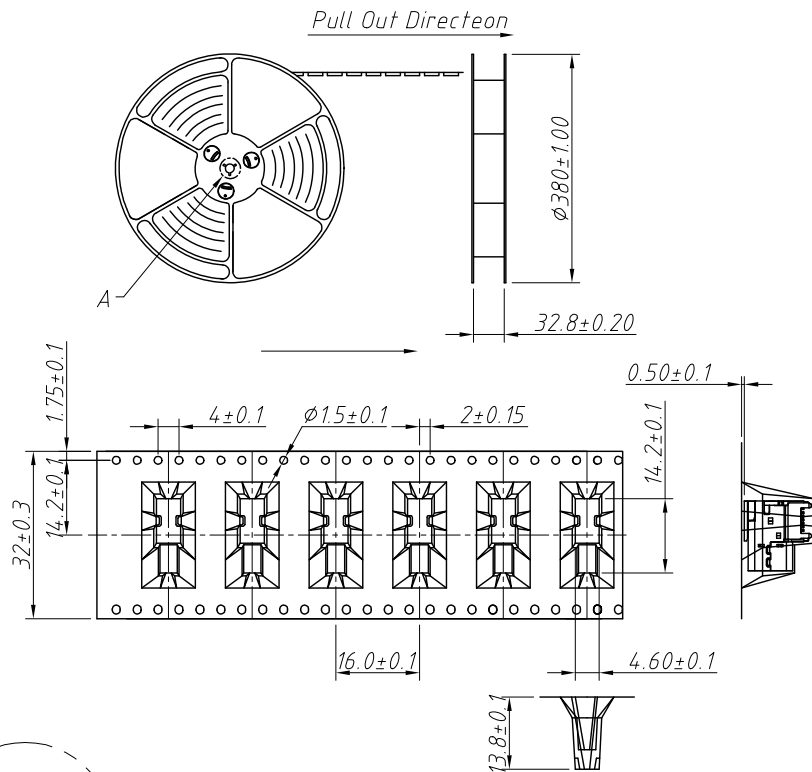
**Electric:**  
 Rated Current: 5.0A  
 Contact Resistance: 40mΩ Max  
 Dielectric Withstanding Voltage:  
 100V AC/Minute  
 Insulation Resistance: 100MΩ MIN  
 Mating Force: 5-20N  
 Unmating Force: 8-20N  
 Durability: 10000 Cycles Min  
 Operating Temperature: -55°C ~ +85°C  
 Salt Spray: 40H, 5±1%  
 Tin adhesion test: 95% Min  
 SMT reflow soldering (peak 260°C ±5°C)  
 cannot produce bubbles, sol, or  
 discoloration defects



A1	GND	B12	GND
A4	VBUS	B9	VBUS
A5	CC1	B8	SBU2
A6	D+	B7	D-
A7	D-	B6	D+
A8	SBU1	B5	CC2
A9	VBUS	B4	VBUS
A12	GND	B1	GND
PIN	Signal Name	PIN	Signal Name

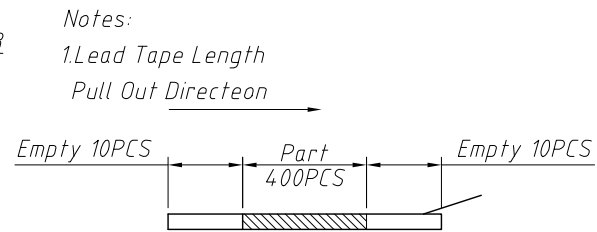
ANGLE TOLERANCE	PROJECTION	Description:
±3°		USB Type-C Connector
GENERAL TOLERANCE	UNITS	mm
.x ±0.30	SHEET SIZE	A4
.xx ±0.20	Draw:	WuHao 2025-05-28
.xxx ±0.10	Check:	Daniel 2025-05-28
KLS P/N:		L-KLS1-5533-R
KLS electronic		NingBo KLS ELECTRONIC CO.,LTD.

6		7		8	
REV	SYM	Revision Record	Appr.	Date	
V0	KLS01323	New Version Release	WuHao	2025-05-28	

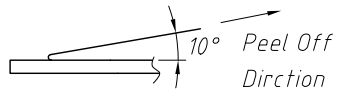


Note:  
 1.Packing q'ty of each reel & carton as below table shown  
 2.Put reels in the carton and use adhesive tape to seal up

Roll tape	∅380mm	400PCS
Carton	390×390×310 mm	8 Disc / 3200PCS



2.Peeling Off Force Of Top Tape:  
 0.1~1.3N (10.2gf~130gf)  
 This Requirement Should Be Applied At Shipment:Peeling Off Should Not Be Allowed During Transportation



ANGLE TOLERANCE	PROJECTION	Description:	
±3°		USB Type-C Connector	
GENERAL TOLERANCE	UNITS	mm	KLS P/N:
.x ±0.30	SHEET SIZE	A4	2/2
.xx ±0.20	Draw:	WuHao	2025-05-28
.xxx ±0.10	Check:	Daniel	2025-05-28

L-KLS1-5533-R

NingBo KLS ELECTRONIC CO.,LTD.