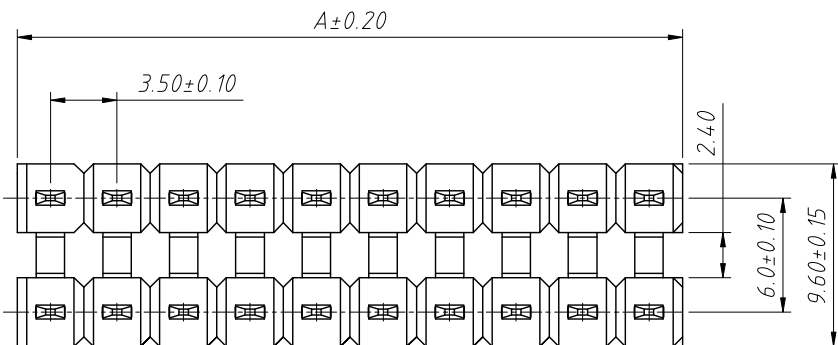


RoHS Compliance



Ordering Information & Dimensions

Circuits	Dimensions(mm)		Circuits	Dimensions(mm)	
	A	B		A	B
2×02	7.00	3.50	2×07	24.5	21.0
2×03	10.5	7.00	2×08	28.0	24.5
2×04	14.0	10.5	2×09	31.5	28.0
2×05	17.5	14.0	2×10	35.0	31.5
2×06	21.0	17.5			

Material:

Insulator: High Temp. Plastic
LCP+30%G.F UL94V-0, Black.

Contact: Brass

Plating: Tin-plating

Electrical Characteristics:

Current Rating: 7A AC/DC

Voltage Rating: 500V AC/DC

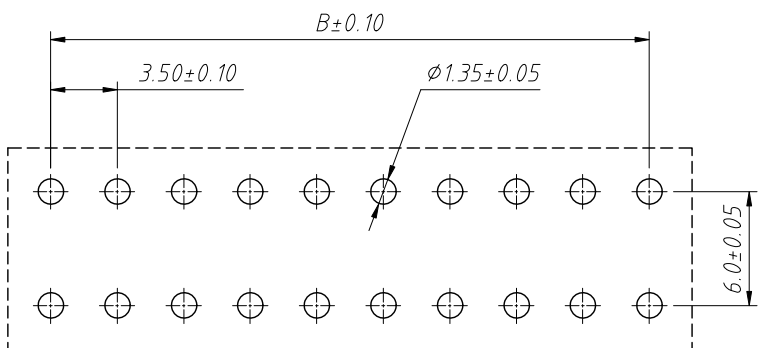
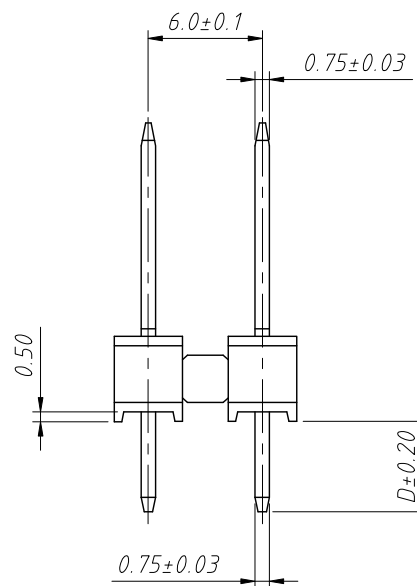
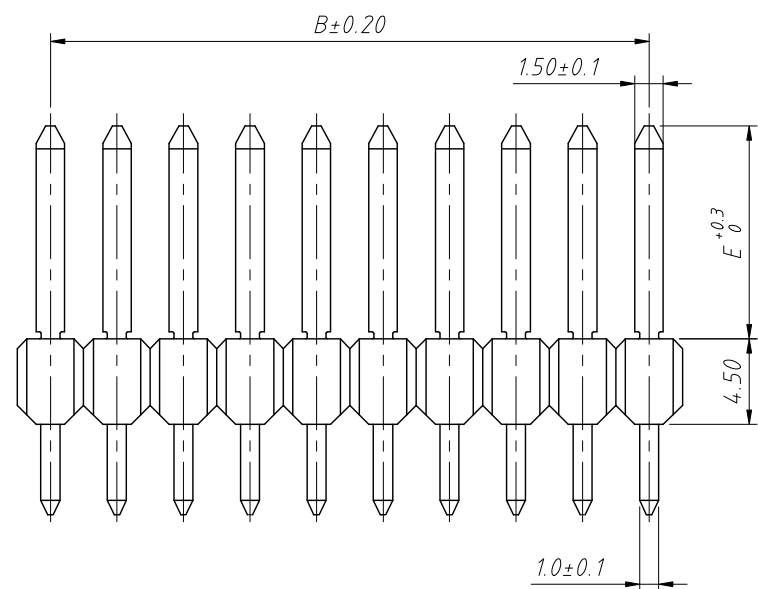
Contact Resistance: 20mΩ Max

Insulator Resistance: 1000MΩ Min

Withstand Voltage: 600V AC/DC

Mechanical

Operating Temperature: -40°C ~ +105°C



Recommended P.C.B Layout

Order Information:

L-KLS1-207LA-4.50-2-XX-S-D1-Sn

L: RoHS

Pin Header Series

3.50mm Pitch

Plastics Height:

4.50mm

Per Row: Dual Row

Pin: No. of Pins (2×10)

Type: Straight Pin

Size: (D1, D2, D3)

Plating: Tin-plating

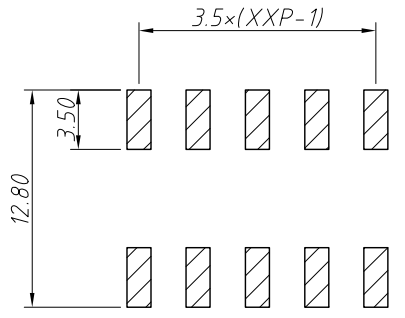
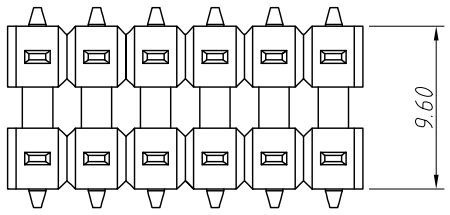
Size	E	D
D1	11.2	4.75
D2	11.2	3.05
D3	16.1	3.05

ANGLE TOLERANCE	PROJECTION	Description:
±3°		3.5×6.0mm Pin Header Double Row Straight Type
GENERAL TOLERANCE	UNITS	mm
x.x ±0.30	SHEET SIZE	A4
x.xx ±0.20	Draw:	Daniel 2018-07-10
x.xxx ±0.10	Check:	Daniel 2018-07-10

KLS NingBo KLS ELECTRONIC CO.,LTD.

1
RoHS Compliance

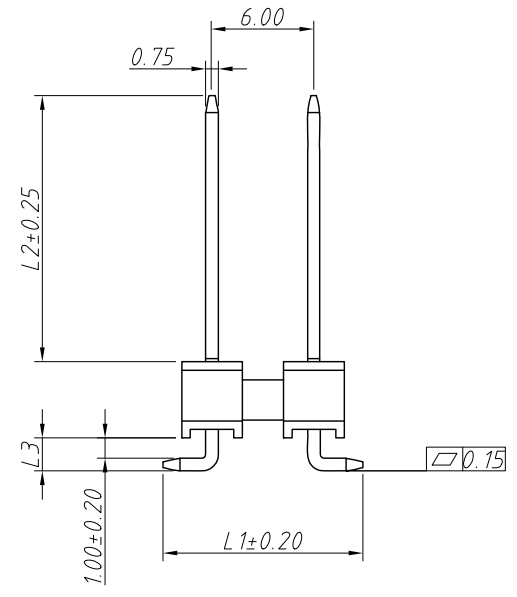
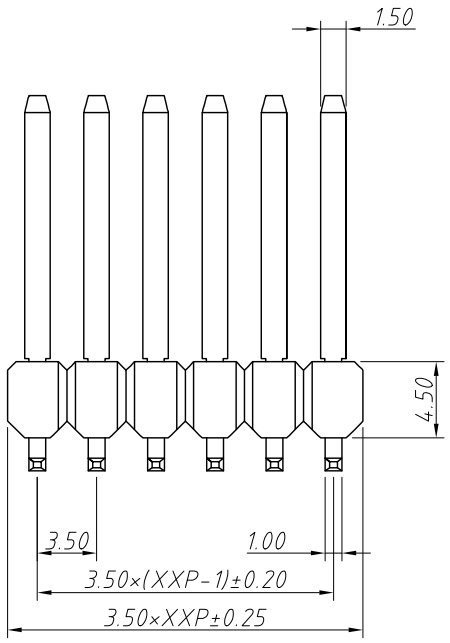
6	7	8
REV	SYM	Revision Record
V0	KLS01506	New Version Release
		Appr.
		WuHao
		Date
		2025-04-03



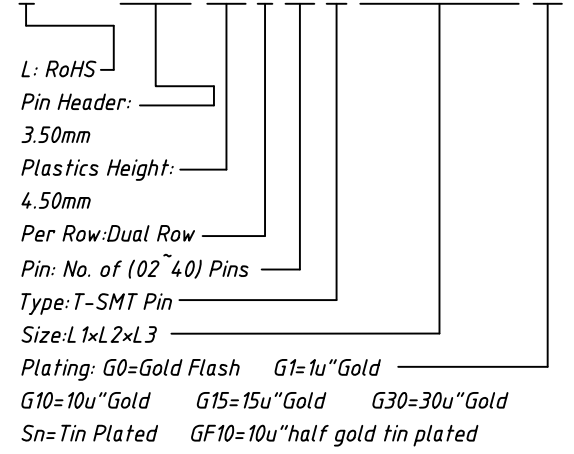
Recommended PCB Layout
Tolerance: ±0.05mm

Notes:
Material:
Housing: LCP+30%G.F, UL 94 V-0, Black
Contact: Brass, Bright Tin-Plated High-Temperature Over ALL
30u" Min Nickel Underplating Over All

Electric:
Rated Current: 7AMP
Contact Resistance: 30mΩ Max
Withstand Voltage: AC 500V/Minute
Insulation Resistance: 500MΩ Min
Operation Temperature: -40°C ~ +125°C



Order Information:
L-KLS1-207LA-4.5-2-20-T-12.3×15.7×1.75-Sn

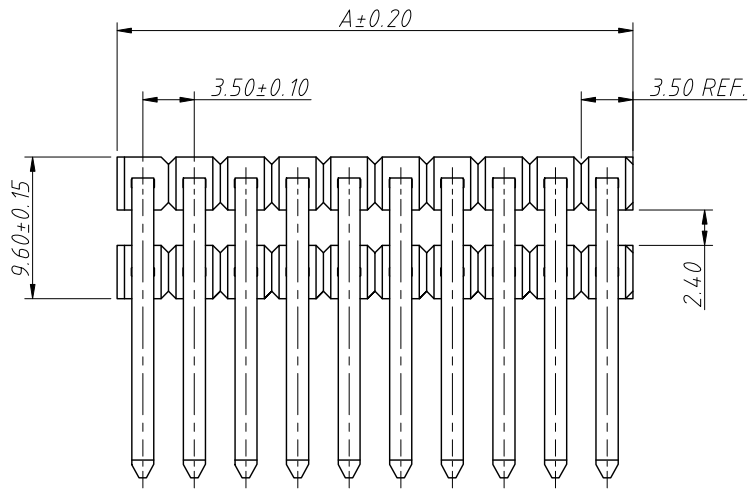


Item	L1	L2	L3	Plastic Height
Standard	12.3	15.7	1.8	4.5
Nonstandard	---	---	---	---

ANGLE TOLERANCE	PROJECTION	Description:	3.50mm Pitch Male Pin Header Connector
±3°			
GENERAL TOLERANCE	UNITS	mm	KLS P/N: L-KLS1-207LA-4.5-2-XX-T-L1×L2×L3-XX
.x ±0.30	SHEET SIZE	A4	NingBo KLS ELECTRONIC CO.,L TD.
.xx ±0.20	Draw:	WuHao 2025-04-03	
.xxx ±0.10	Check:	Daniel 2025-04-03	

1 RoHS Compliance

7		8		
REV	SYM	Revision Record	Appr.	Date
V0	KLS01506	New Version Release	Jenny	2025-03-27



Pins	A	B	Pins	A	B
2×02	7.00	3.5	2×07	24.5	21.0
2×03	10.5	7.00	2×08	28.0	24.5
2×04	14.0	10.5	2×09	31.5	28.0
2×05	17.5	14.0	2×10	35.0	31.5
2×06	21.0	17.5	---	---	---

Material:

Housing: LCP+30%G.F, UL 94V-0, Black

Contact: Brass, Tin-Plated

Electrical:

Current Rating: 7A AC/DC

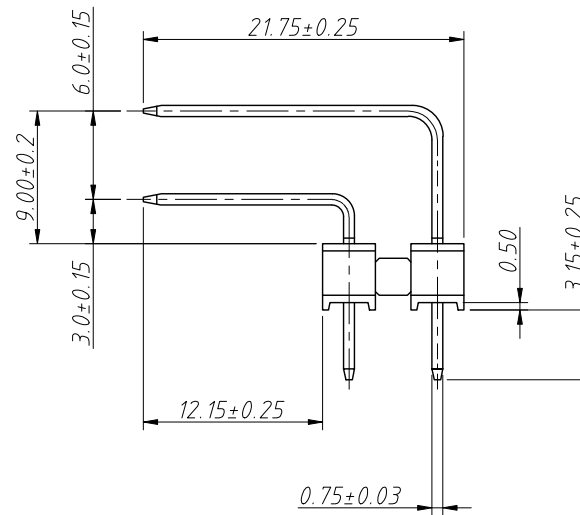
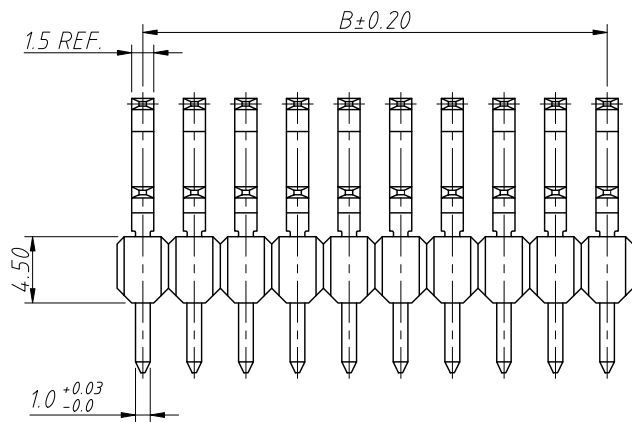
Voltage Rating: 500V AC/DC

Contact Resistance: 20mΩ Max

Insulation Resistance: 1000MΩ MIN

Withstanding Voltage: 600V AC For One Minute

Operating Temp. Range: -40°C ~ +105°C



Order Information:

L-KLS1-207LA-4.50-2-XX-R-3.15×12.15×3.0-Sn

L: RoHS

Pin Header Series

207LA: 3.50mm Pitch

Plastics Height:

4.50mm

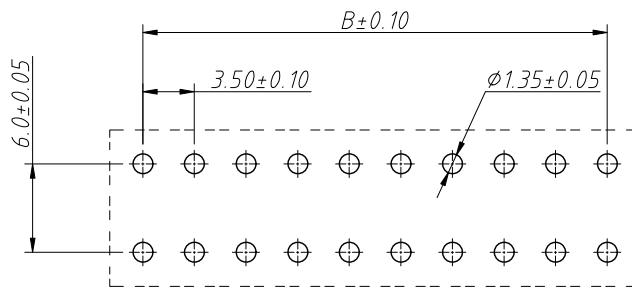
Per Row: 2-Double layer

Pin: No. of Pins (04 ~ 20)

Type: R-Right Angle Pin

Size: 3.15×12.15×3.0

Plating: Sn-Tin plating



Recommended PCB Layout
Tolerance: ±0.05mm

ANGLE TOLERANCE	PROJECTION	Description:
±3°		3.50mm Pitch double Row Male Pin Header Connector
GENERAL TOLERANCE	UNITS	mm
.x ±0.25	SHEET SIZE	A4
.xx ±0.20	Draw:	Jenny 2025-03-27
.xxx ±0.10	Check:	Daniel 2025-03-27
KLS ELECTRONIC		NingBo KLS ELECTRONIC CO.,L TD.