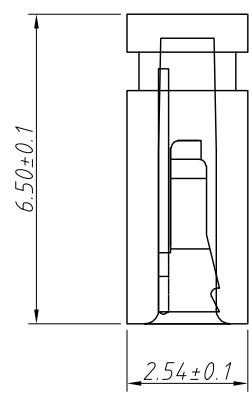
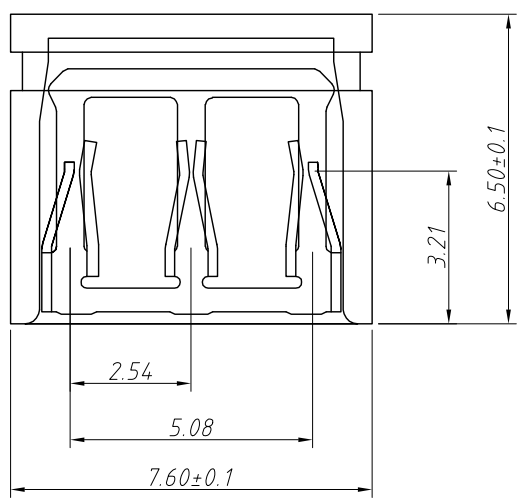
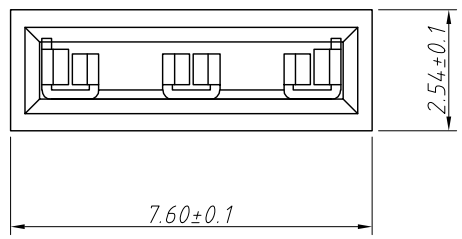


1  
RoHS Compliance

|     |          |                     |
|-----|----------|---------------------|
| 6   | 7        | 8                   |
| REV | SYM      | Revision Record     |
| V0  | KLS01506 | New Version Release |
|     |          | Appr.               |
|     |          | WuHao               |
|     |          | Date                |
|     |          | 2025-03-03          |

Material:  
 Insulator Body: Glass Filled Thermoplastic Polyester  
 Self-Extinguishing, Rated  
 Contact: Copper, Gold Plated

Electric:  
 Current Rating: 3 Amp  
 Operating Temperature: -40°C ~ +105°C



Order Information:  
 L-KLS1-203D-C-B-6.5

- L: RoHS
- Mini Jumper
- 203D: 5.08mm pitch
- Housing Type: C-Close
- Color: B-Black R-Red
- L-Blue G-Green
- Height: Open Type: 6.5mm

|                   |            |                                    |
|-------------------|------------|------------------------------------|
| ANGLE TOLERANCE   | PROJECTION | Description:                       |
| ±3°               |            | 5.08mm Pitch Mini Jumper Connector |
| GENERAL TOLERANCE | UNITS      | mm                                 |
| .x ±0.25          | SHEET SIZE | A4                                 |
| .xx ±0.20         | Draw:      | WuHao 2025-03-03                   |
| .xxx ±0.10        | Check:     | Daniel 2025-03-03                  |
|                   |            | NingBo KLS ELECTRONIC CO.,L TD.    |