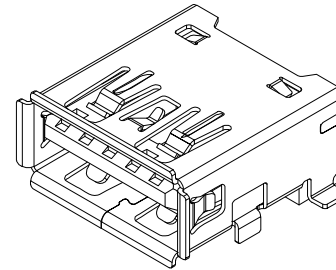
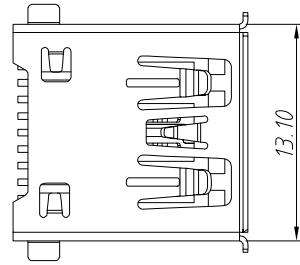
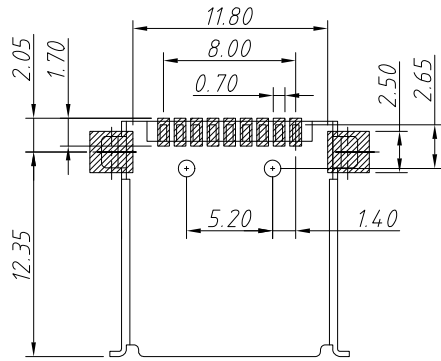


RoHS Compliance

REV	SYM	Revision Record	Appr.	Date
V0	KLS01323	New Version Release	WuHao	2025-04-15



Notes:

Material:

Insulator:LCP,Blue

Contact:Brass(H65,T=0.20mm),

Gold Plated G/Fu On Contact Area

Tin Plated Over On Solder Area

Shell:Cold Rolled Iron(SPCC T=0.30mm),

Ni Plated Over All

Electrical:

Voltage Rating:30 V RMS

Contact Resistance:30mΩ Max

Current Rating:1.5AMP

Withstanding Voltage:500 V R.M.S. 50(60)Hz, 1Min

Insulation Resistance:100 MΩ Min At 500V DC

Operating Temperature Range:-25°C ~ +70°C

Storage Temperature Range:-40°C ~ +85°C

Salt Spray Test:24H (Excluding Rieted Bends)

Mechanical:

Mating Force:35N Max

Unmated Force:5~35 N

Operating Life:1500 Cycles Min

Pin No.	NAME
PIN 1	VBUS
PIN 2	D-
PIN 3	D+
PIN 4	GND
PIN 5	StdA_SSRX-
PIN 6	StdA_SSRX+
PIN 7	GND_DRAIN
PIN 8	StdA_SSTX-
PIN 9	StdA_SSTX+
SHELL	GND

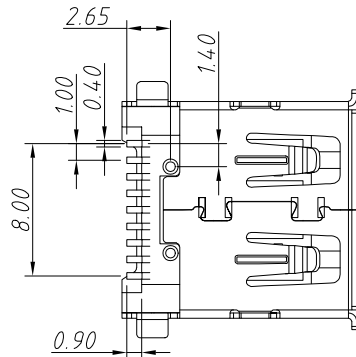
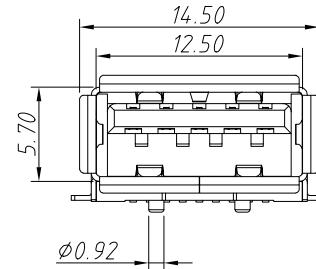
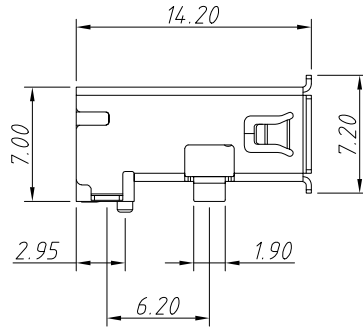
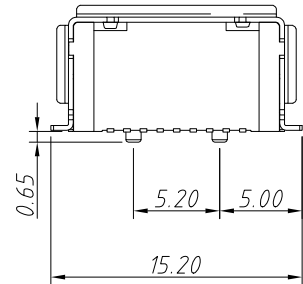
Order Information

L-KLS1-3026-L

RoHS

Color: L-Blue

Recommended PCB Layout
Tolerance:±0.05mm



ANGLE TOLERANCE	PROJECTION	Description:	USB 3.0 Connector	
±3°				
GENERAL TOLERANCE	UNITS	mm	KLS P/N:	L-KLS1-3026-L
.x ±0.30	SHEET SIZE	A4		
.xx ±0.20	Draw:	WuHao	2025-04-15	
.xxx ±0.10	Check:	Daniel	2025-04-15	

NingBo KLS ELECTRONIC CO.,L TD.