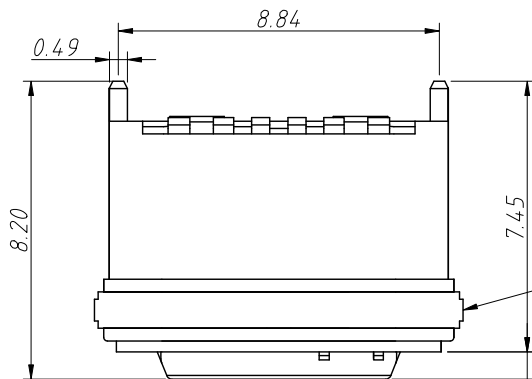


1 RoHS Compliance

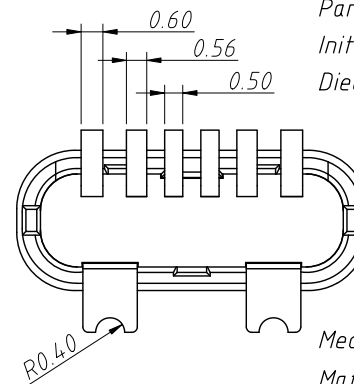
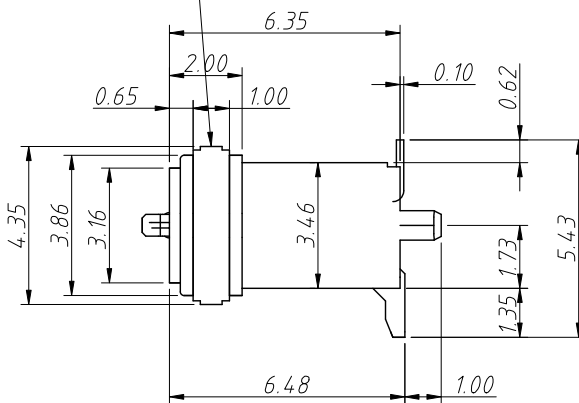
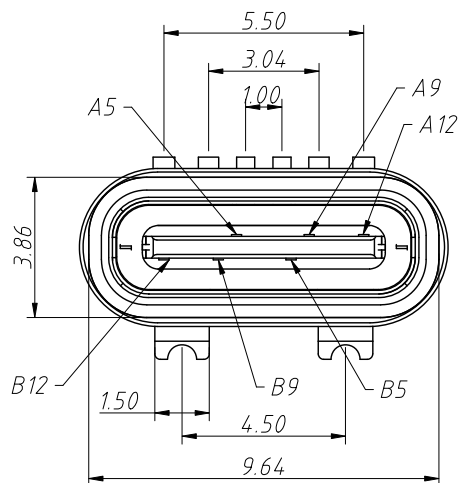
6	7	8
REV	SYM	Revision Record
V0	KLS01323	New Version Release
		Appr. Song
		Date 2025-03-28



Schematic diagram of waterproof ring

Material:  
 Housing: LCP  
 Contact: C2680, T=0.2mm  
 Middleclip: SUS, T=0.15mm  
 Shell: Zinc Alloy.100u" Nickel Plating  
 Waterproof Ring: Red Silicone

Electrical:  
 Current Rating:  
 VBUS And GND Contacts Rated :3A  
 Paralleled For A Total Of 3A  
 Initial Contact Resistance :40 Milliohms Max  
 Dielectric Withstanding Voltage:100V AC



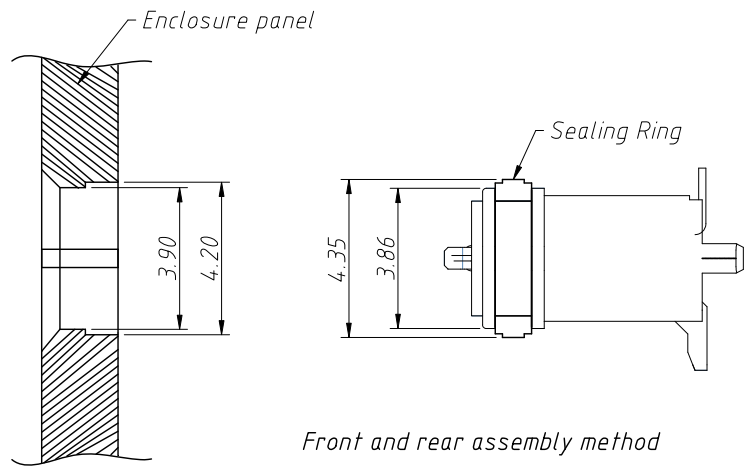
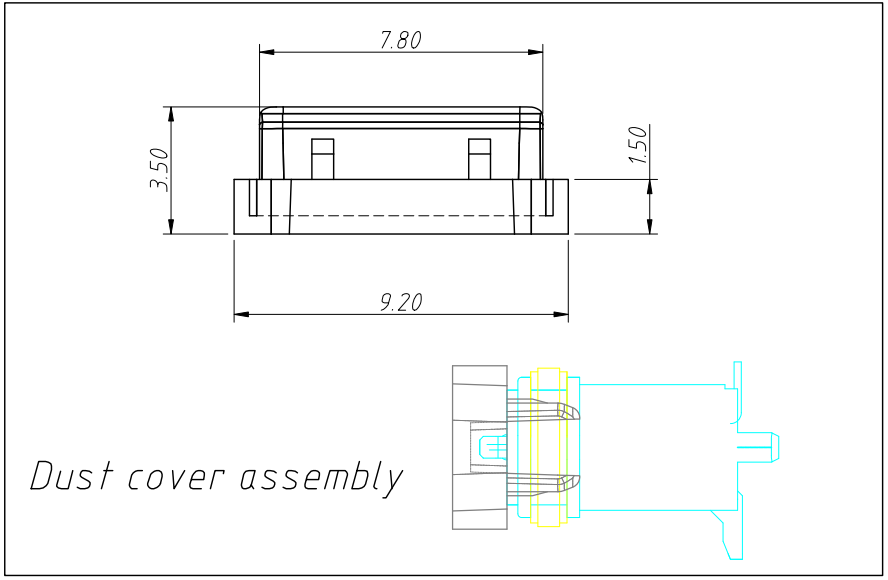
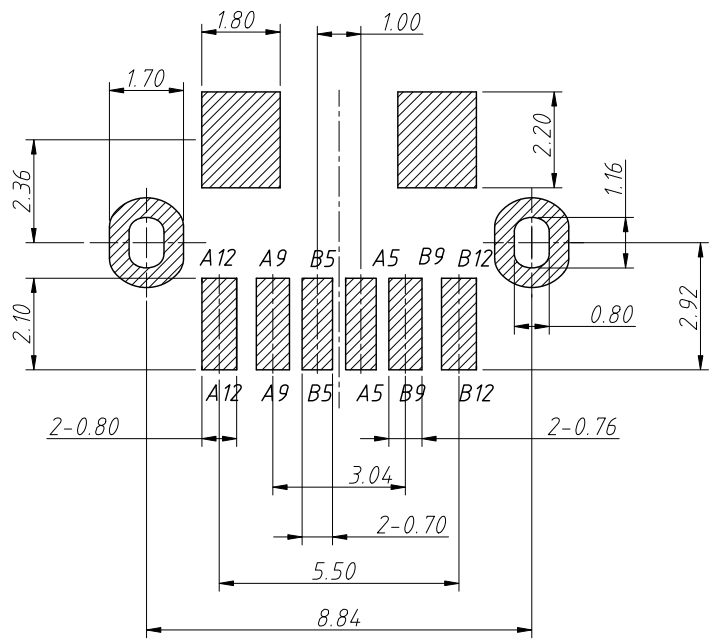
Mechanical:  
 Mating Force: 5~20N  
 Unmating Force: 8~20N(Initial),  
 6~20N(After 10000 Cycles)  
 Frequency: 200±50 Cycles /Hour, 10000 Cycles  
 Operating Temperature: -40°~80°  
 Waterproof: IP-X7.

B12	GND
B9	VBUS
B5	CC2
A5	CC1
A9	VBUS
A12	GND
PIN	Signal Name

ANGLE TOLERANCE	PROJECTION	Description:	USB type-C Connector	
±3°				
GENERAL TOLERANCE	UNITS	mm	KLS P/N:	L-KLS1-PUB-041-R
.x ±0.20	SHEET SIZE	A4	1 OF 2	
.xx ±0.15	Draw:	Song	2025-03-28	
.xxx ±0.05	Check:	Daniel	2025-03-28	



NingBo KLS ELECTRONIC CO.,L TD.



ANGLE TOLERANCE	PROJECTION	Description:		
±3°		USB type-C Connector		
GENERAL TOLERANCE	UNITS	mm	KLS P/N:	L-KLS1-PUB-041-R
.x ±0.20	SHEET SIZE	A4	2 OF 2	NingBo KLS ELECTRONIC CO.,L TD.
.xx ±0.15	Draw:	Song	2025-03-28	
.xxx ±0.05	Check:	Daniel	2025-03-28	