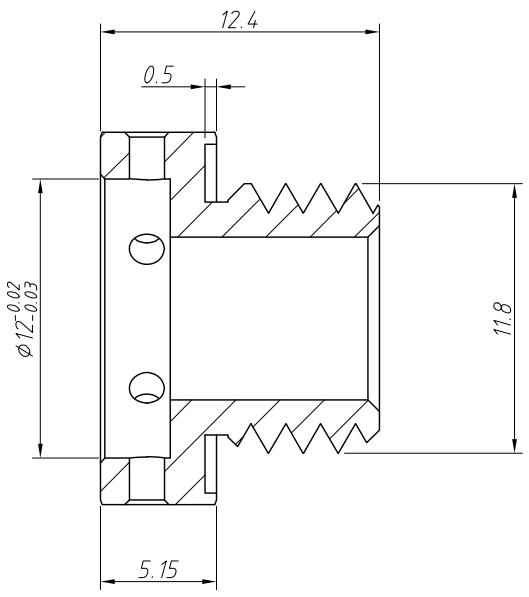
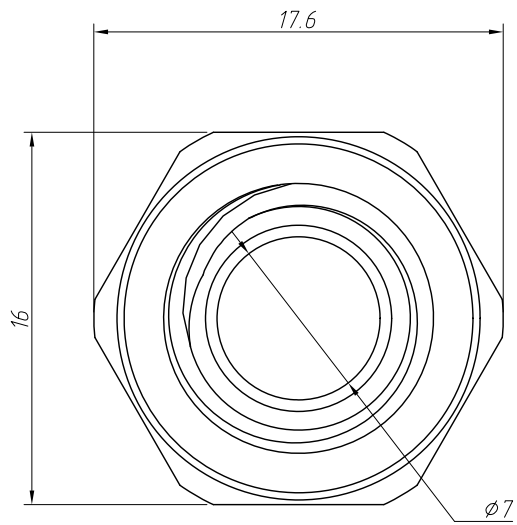
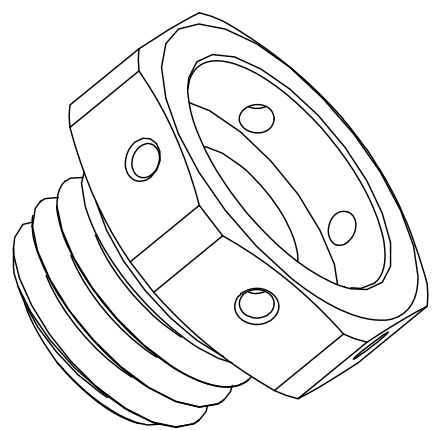
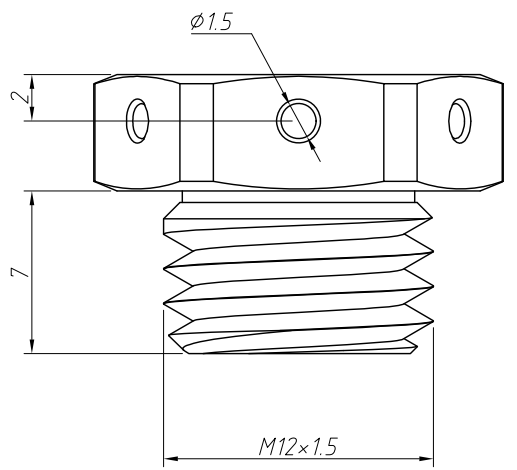


1
RoHS Compliance

6		7		8	
REV	SYM	Revision Record		Appr.	Date
V0	KLS08279	New Version Release		WuHao	2025-04-01



Notes:
 Material: Brass, Ni Plated
 Air Permeability: 1200ml / Min / 7 Kpa
 Remove all burrs and sharp edges
 Unmarked dimensional tolerances shall be in accordance with GB1804-m level



Order Information:
 L-KLS8-VA021A-M12x1.5-2-0-B5-L7

L: RoHS
 Model
 Thread: M12x1.5
 Color: 1=Black 2=White
 Nut: 0=With Nut 1=Without Nut
 Size: B5=5mm
 L7=7mm

ANGLE TOLERANCE	PROJECTION	Description:			
±3°		Waterproof Breathable Valve			
GENERAL TOLERANCE	UNITS	mm	KLS P/N:	L-KLS8-VA021A-M12X1.5-2-0-B5-L7	
.x ±0.30	SHEET SIZE	A4			
.xx ±0.20	Draw:	WuHao	2025-04-01	NingBo KLS ELECTRONIC CO.,L TD.	
.xxx ±0.10	Check:	Daniel	2025-04-01		