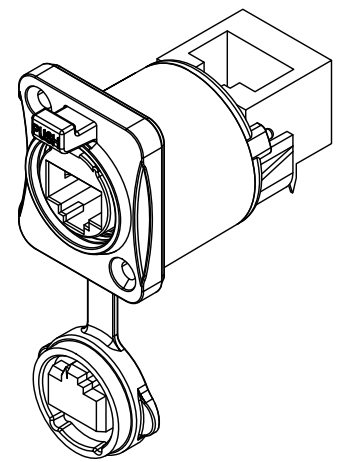
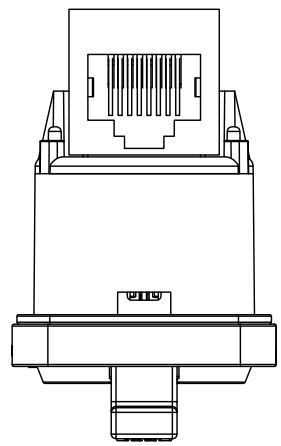


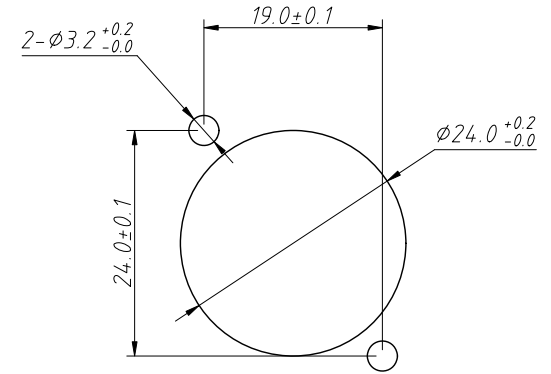
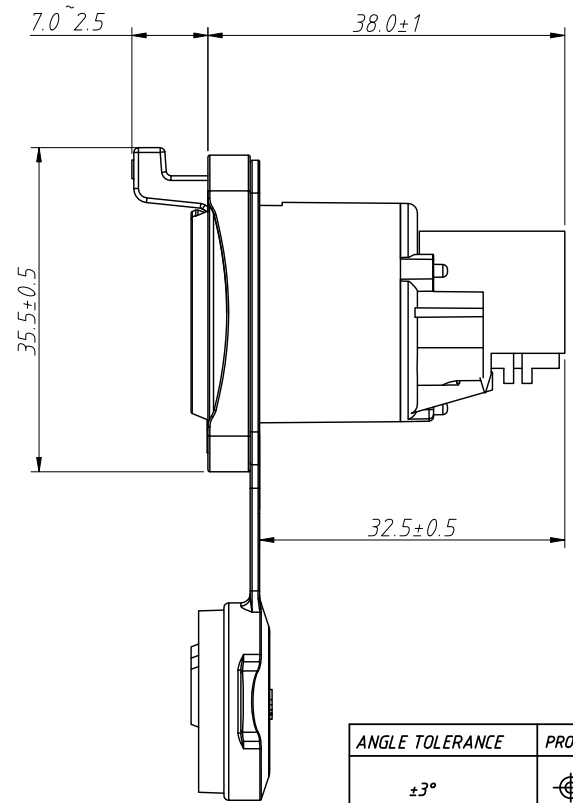
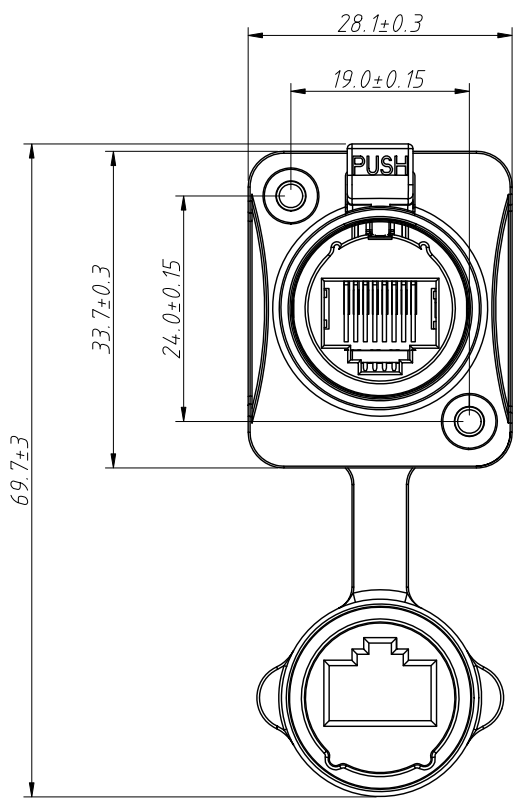
1
RoHS Compliance

6	7	8
REV	SYM	Revision Record
V0	KLS01256	New Version Release
		Appr. Song
		Date 2025-04-10



Material:
RJ45 Conntacts:Copper Alloy
Housing:Thermoplastic

Electrical:
Rated Current:1.5A
Rated Voltage:125VAC
Withstand Voltage:1000VAC
Contact Resistance:30mΩ Max
Insulation Resistance:500MΩ Min
IP Code:IP67
Life:500 Cycles Min
Tightening Torque:0.4N.m
Transmis Sionrate:CAT.3
Operating Temperature:-25°C ~ +85°C



Mounting Hole Size
Mounting Screw Size:M3

ANGLE TOLERANCE	PROJECTION	Description:
±3°		RJ45 Waterproof Connector
GENERAL TOLERANCE	UNITS	mm
.x ±0.30	SHEET SIZE	A4
.xx ±0.15	Draw:	Song
.xxx ±0.10	Check:	Daniel
		KLS P/N: L-KLS12-WRJ45-20N2
		NingBo KLS ELECTRONIC CO.,L TD.

A
B
C
D
E
F
G
H

A
B
C
D
E
F
G
H

1 2 3 4 5 6 7 8