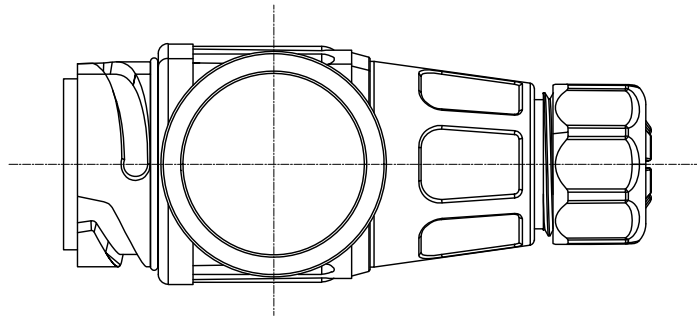
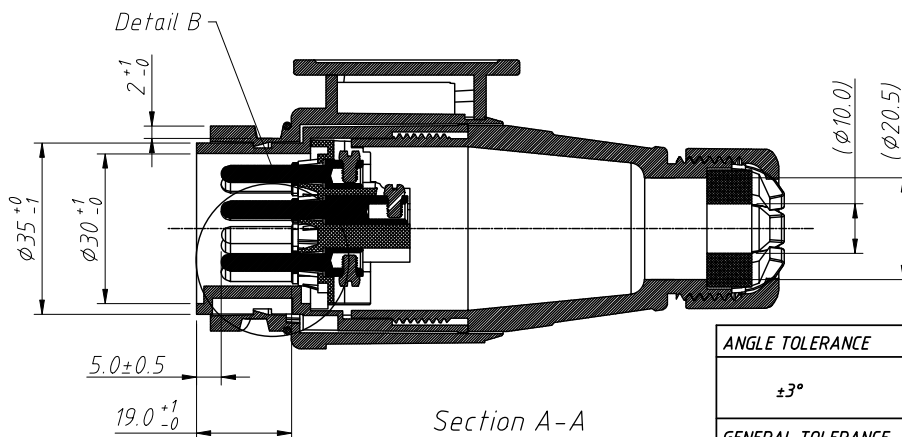
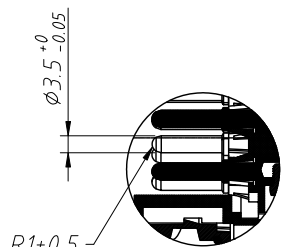
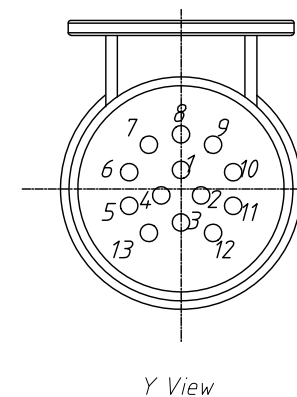
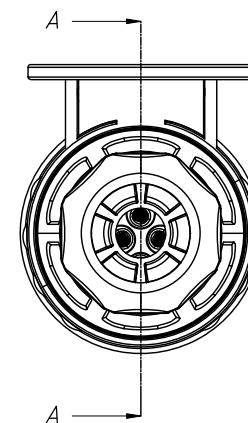
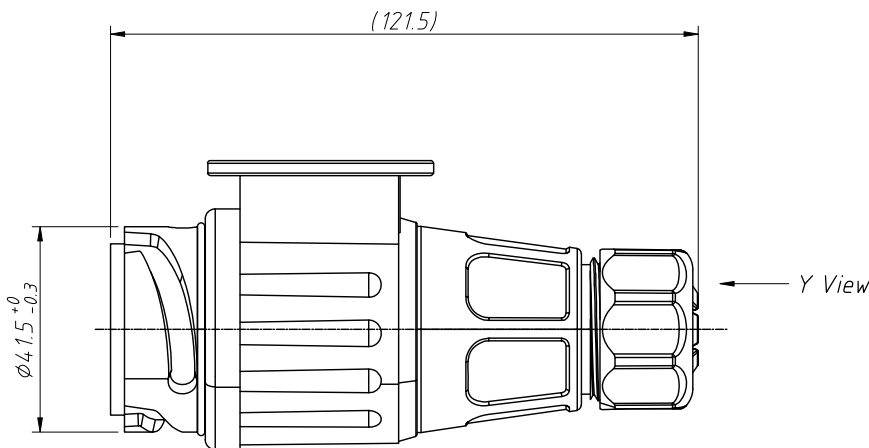
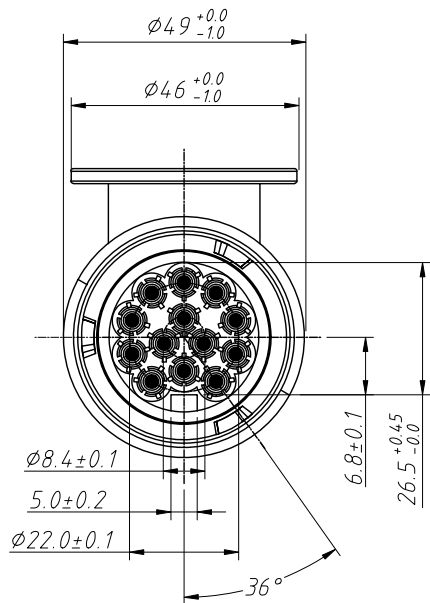


RoHS Compliance

REV	SYM	Revision Record	Appr.	Date
V0	KLS01443	New Version Release	Song	2025-04-02



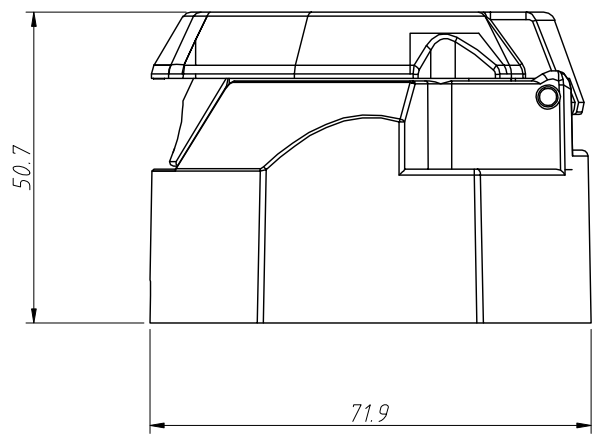
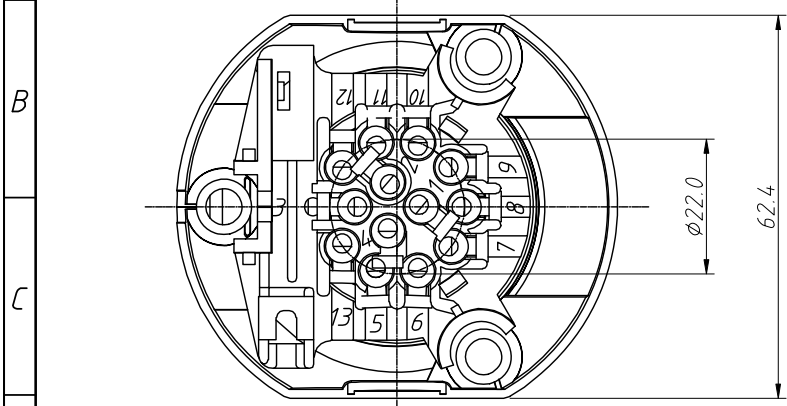
Material:
Housing:PA6,Black
Pin:Brass



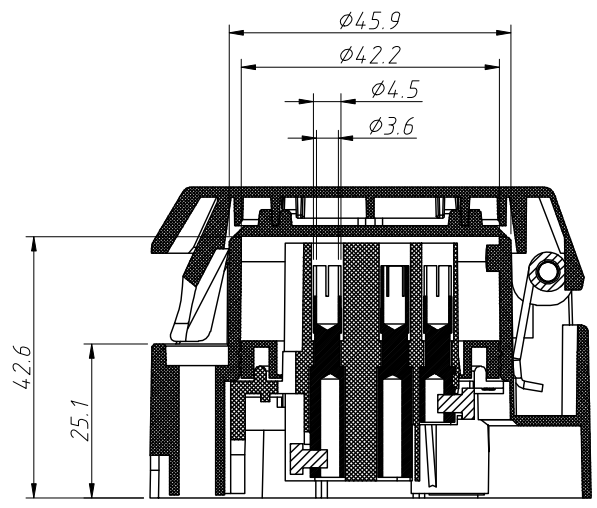
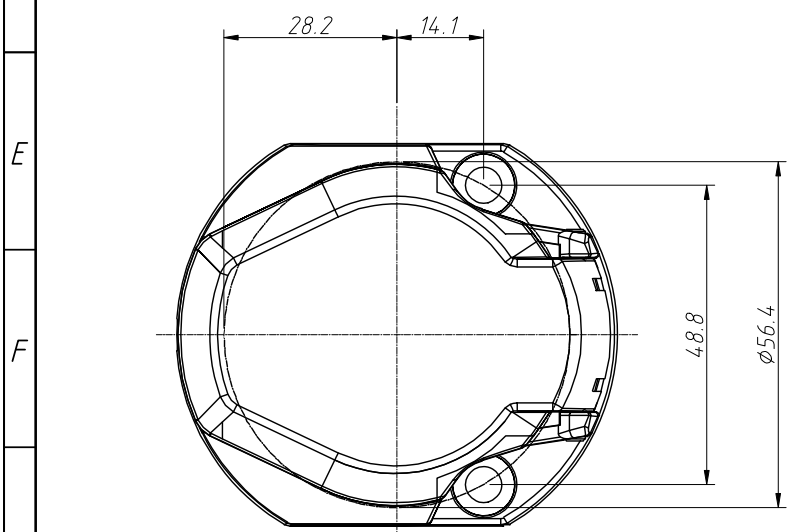
ANGLE TOLERANCE	PROJECTION	Description:		
$\pm 3^\circ$		Power Connector, 13P, Male		
GENERAL TOLERANCE	UNITS	mm	KLS P/N:	L-KLS1-XT91-M-13-B
.x ± 0.30	SHEET SIZE	A4		
.xx ± 0.20	Draw:	Song	2025-04-02	NingBo KLS ELECTRONIC CO.,L TD.
.xxx ± 0.10	Check:	Daniel	2025-04-02	

1
RoHS Compliance

6	7	8
REV	SYM	Revision Record
V0	KLS01443	New Version Release
		Appr. Song
		Date 2025-04-02



Material:
Housing: PA66, Black
Contacts: Brass



ANGLE TOLERANCE	PROJECTION	Description:
±3°		Power Connector, 13P, Female
GENERAL TOLERANCE	UNITS	mm
.x ±0.30	SHEET SIZE	A4
.xx ±0.20	Draw:	Song
.xxx ±0.10	Check:	Daniel
		KLS P/N: L-KLS1-XT91-F-13-B
		NingBo KLS ELECTRONIC CO.,L TD.