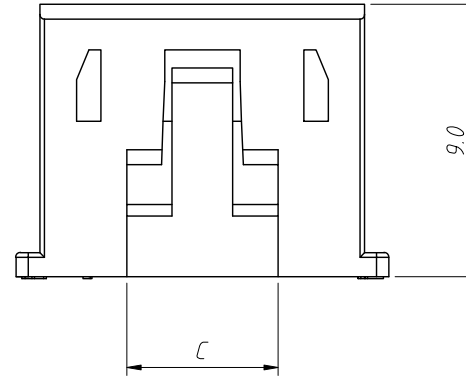
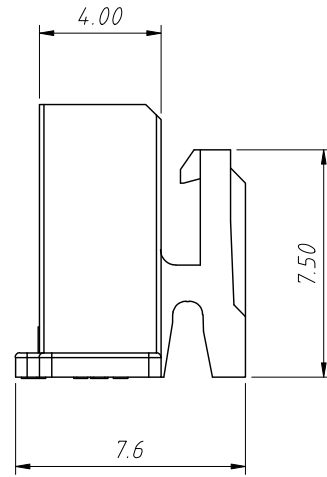
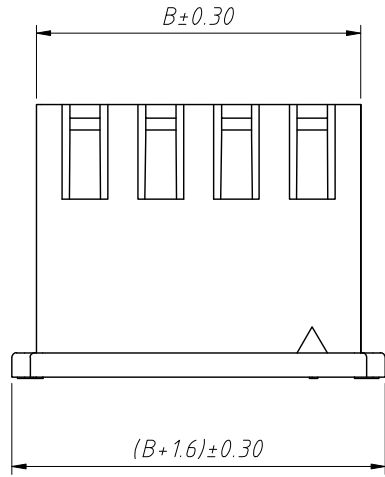
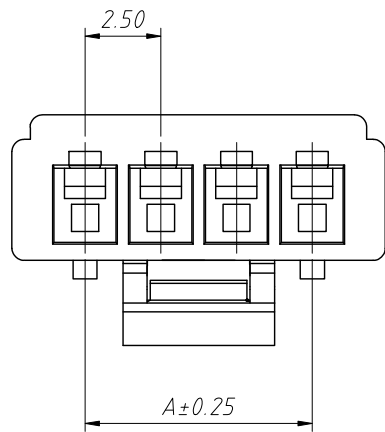


1 RoHS Compliance



Pin	Dimensions(mm)		
	A	B	C
02	2.50	5.70	3.00
03	5.00	8.20	4.00
04	7.50	10.70	5.00
05	10.00	13.20	7.50
06	12.50	15.70	10.00
07	15.00	18.20	12.50
08	17.50	20.70	12.50
09	20.00	23.20	12.50
10	22.50	25.70	12.50
11	25.00	28.20	12.50
12	27.50	30.70	12.50
13	30.00	33.20	12.50
14	32.50	35.70	12.50
15	35.00	38.20	12.50
16	37.50	40.70	12.50



Material:  
Housing:PA66,UL 94V-2

Electrical Characteristics:  
Rated Current:3.0AMP  
Voltage rating:250V AC,DC  
Temperature range:-25°C ~ + 85°C  
Insulator Resistance:1000M $\Omega$  Min  
Withstanding Voltage:1000V AC/minute  
Contact Resistance:10m $\Omega$  Max

Order Information:

L-KLS1-2.50L-XX-H

L: RoHS

Pitch:2.50mm

XX-No. of 02 ~ 16 pins

Type:

H / FH-Housing T / MT-Terminal

S-Straight male pin

R-Right angle male pin

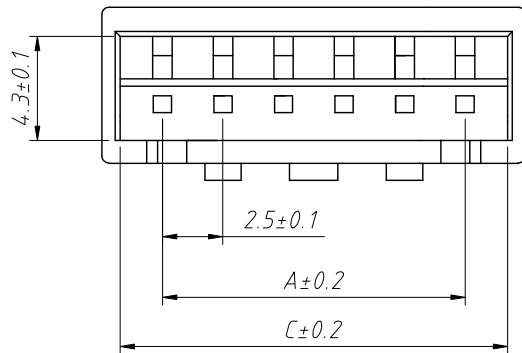
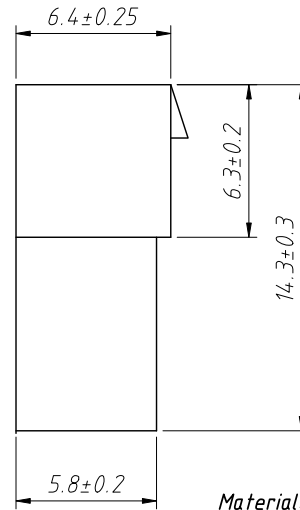
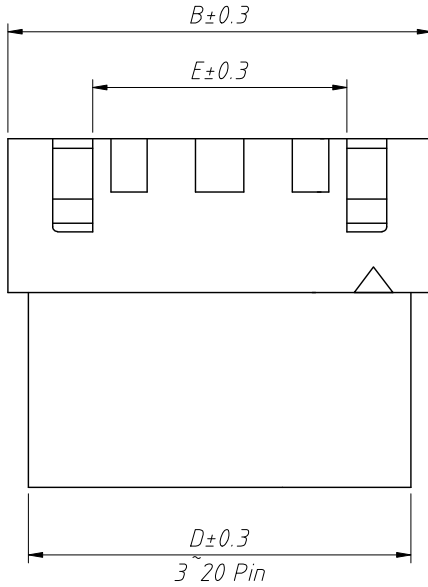
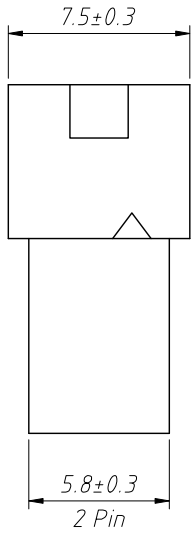
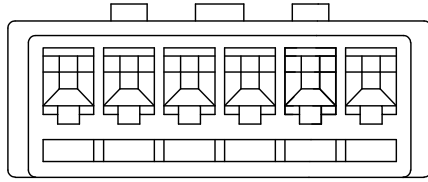
RM-SMT male pin

ANGLE TOLERANCE	PROJECTION	Description:
$\pm 3^\circ$		2.50mm Pitch XHB With Lock Type Wire To Board Connector
GENERAL TOLERANCE	UNITS	mm
x.x $\pm 0.30$	SHEET SIZE	A4
x.xx $\pm 0.20$	Draw:	Daniel 2021-01-11
x.xxx $\pm 0.10$	Check:	Daniel 2021-01-11



NingBo KLS ELECTRONIC CO.,L TD.

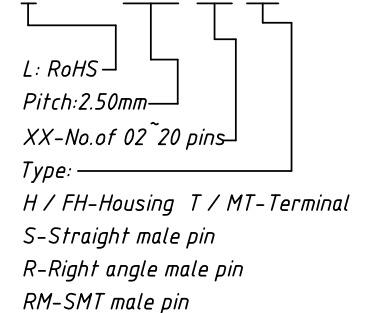
1 RoHS Compliance



Pin	Dimensions(mm)				
	A	B	C	D	E
02	2.50	7.50	6.00	5.80	---
03	5.00	10.00	8.50	8.30	3.00
04	7.50	12.50	11.00	10.80	5.50
05	10.00	15.00	13.50	13.30	8.00
06	12.50	17.50	16.00	15.80	10.50
07	15.00	20.00	18.50	18.30	13.00
08	17.50	22.50	21.00	20.80	15.50
09	20.00	25.00	23.50	23.30	18.00
10	22.50	27.50	26.00	25.80	20.50
11	25.00	30.00	28.50	28.30	23.00
12	27.50	32.50	31.00	30.80	25.50
13	30.00	35.00	33.50	33.30	28.00
14	32.50	37.50	36.00	35.80	30.50
15	35.00	40.00	38.50	38.30	33.00
16	37.50	42.50	41.00	40.80	35.50
17	40.00	45.00	43.50	43.30	38.00
18	42.50	47.50	46.00	45.80	40.50
19	45.00	50.00	48.50	48.30	43.00
20	47.50	52.50	51.00	50.80	45.50

Material:  
Housing:PA66,UL 94 V-0,Natural Color  
Electrical Characteristics:  
Rated Current:3.0AMP  
Voltage rating:250V AC,DC  
Temperature range:-25°C ~ + 85°C  
Insulator Resistance:1000MΩ Min  
Withstanding Voltage:1000V AC/minute  
Contact Resistance:10mΩ Max  
After environmental testing:20mΩ Max

Order Information:  
L-KLS1-2.50L-XX-FH

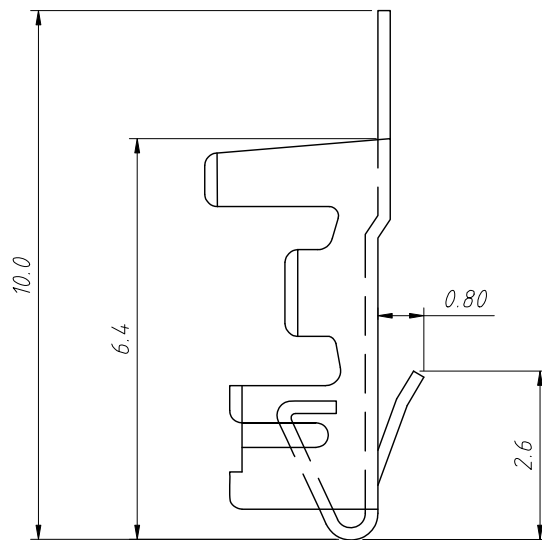
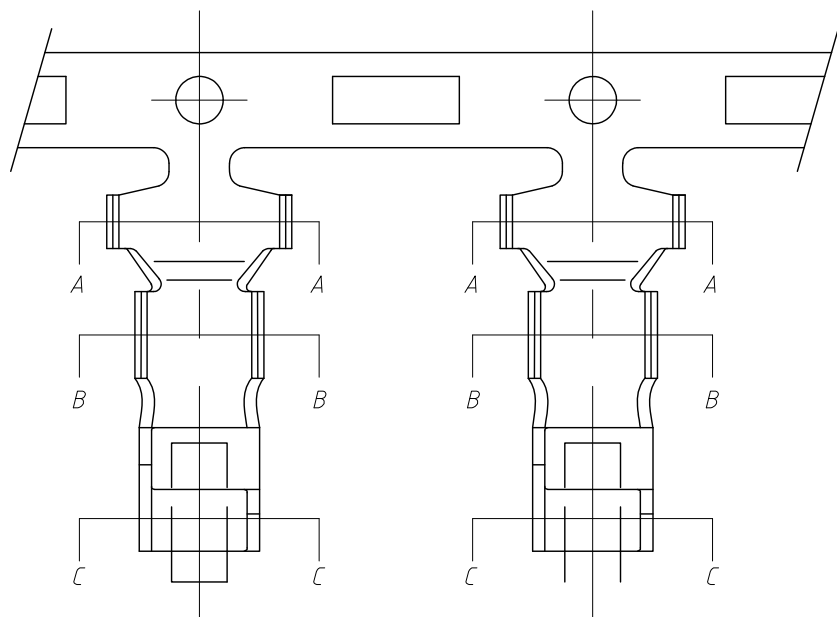


ANGLE TOLERANCE	PROJECTION	Description:	2.50mm Pitch XHB With Lock Type Wire To Board Connector
±3°			
GENERAL TOLERANCE	UNITS	mm	KLS P/N: L-KLS1-2.50L-XX-FH
x.x ±0.30	SHEET SIZE	A4	
x.xx ±0.20	Draw:	Daniel	2021-01-11
x.xxx ±0.10	Check:	Daniel	2021-01-11



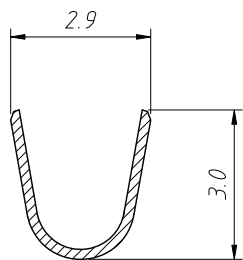
NingBo KLS ELECTRONIC CO.,L TD.

1 RoHS Compliance

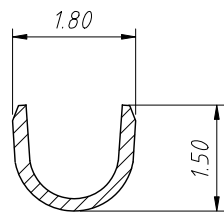


Material:  
 Terminal: Phosphor Bronze  
 Plating: Tin plated  
 Applicable wires: AWG #22 ~ # 28  
 Insulation O.D: 1.2 ~ 1.6mm  
 Qty/reel: 6000 pcs

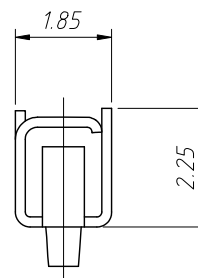
Electrical Characteristics:  
 Rated Current: 3.0AMP  
 Voltage rating: 250V AC, DC  
 Temperature range: -25°C ~ + 85°C  
 Insulator Resistance: 1000MΩ Min  
 Withstanding Voltage: 1000V AC/minute  
 Contact Resistance: 20mΩ Max



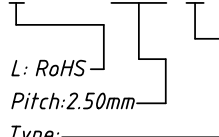
A-A

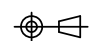


B-B



C-C

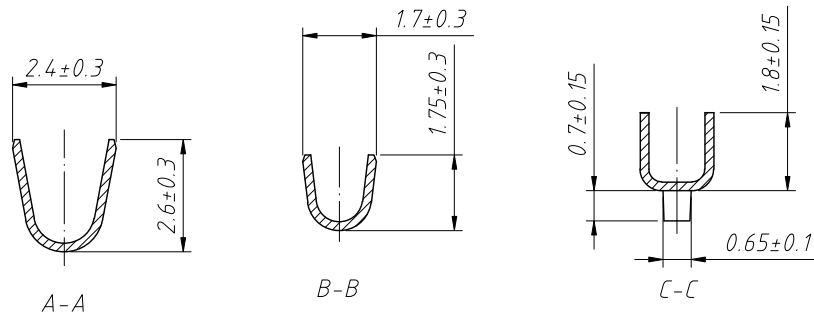
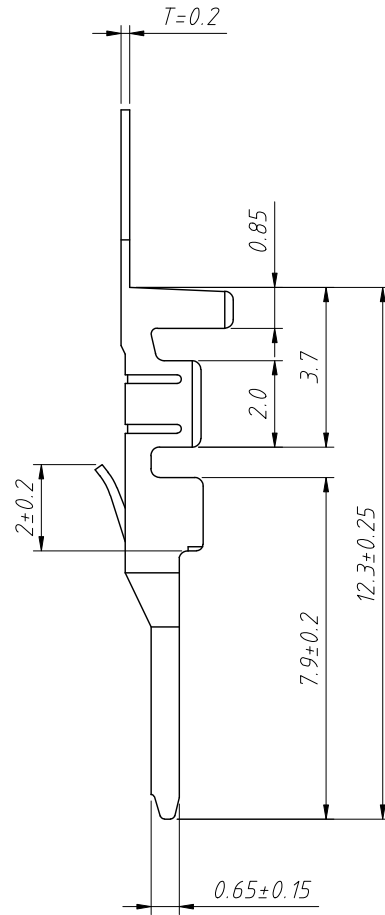
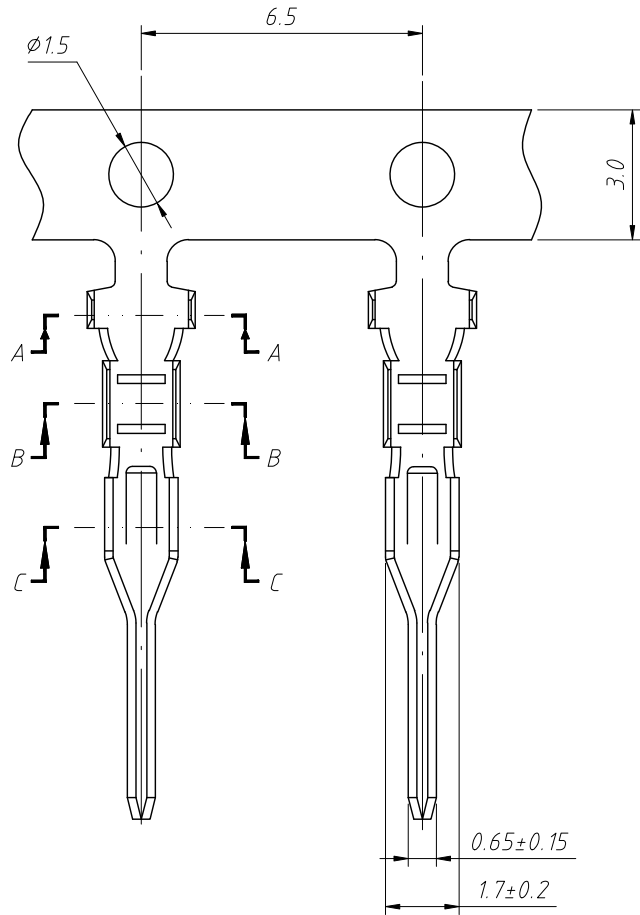
Order Information:  
 L-KLS1-2.50L-T  
  
 L: RoHS  
 Pitch: 2.50mm  
 Type:  
 H / FH-Housing T / MT-Terminal  
 S-Straight male pin  
 R-Right angle male pin  
 RM-SMT male pin

ANGLE TOLERANCE	PROJECTION	Description:	2.50mm Pitch XHB With Lock Type Wire To Board Connector
±3°			
GENERAL TOLERANCE	UNITS	mm	KLS P/N: L-KLS1-2.50L-T
x.x ±0.30	SHEET SIZE	A4	
x.xx ±0.20	Draw:	Daniel	2021-01-11
x.xxx ±0.10	Check:	Daniel	2021-01-11



NingBo KLS ELECTRONIC CO.,LTD.

1 RoHS Compliance

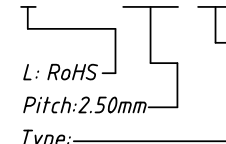


Material:  
Terminal: Phosphor Bronze  
Plating: Tin plated  
Applicable wires: AWG #22 ~ #28  
Insulation O.D.: 1.90mm Max

Electrical Characteristics:  
Rated Current: 3.0AMP  
Voltage rating: 250V AC, DC  
Temperature range: -25°C ~ +85°C  
Insulator Resistance: 1000MΩ Min  
Withstanding Voltage: 1000V AC/minute  
Contact Resistance: 10mΩ Max  
After environmental testing: 20mΩ Max

Order Information:

L-KLS1-2.50L-MT



L: RoHS

Pitch: 2.50mm

Type:

H / FH-Housing T / MT-Terminal

S-Straight male pin

R-Right angle male pin

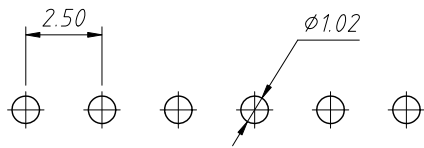
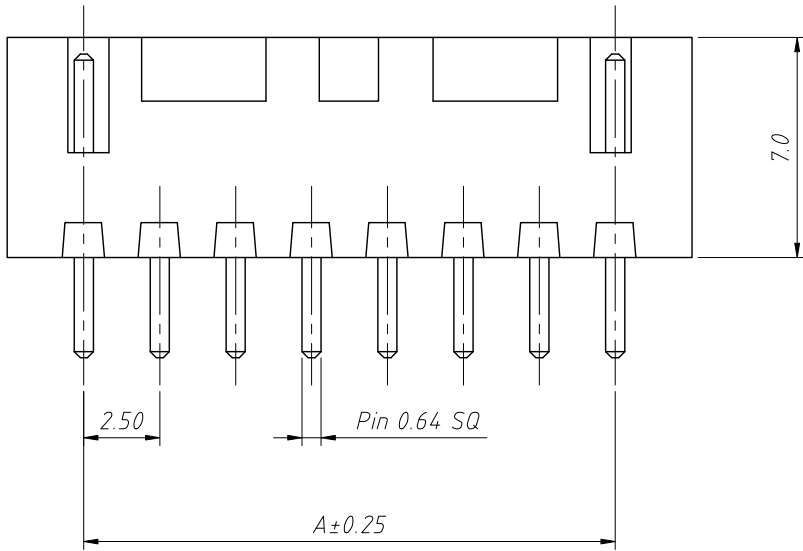
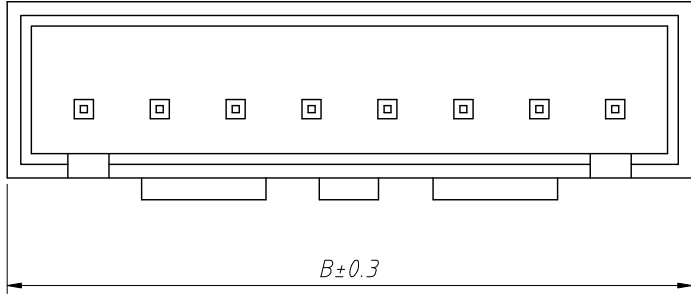
RM-SMT male pin

ANGLE TOLERANCE	PROJECTION	Description:	2.50mm Pitch XHB With Lock Type Wire To Board Connector
±3°			
GENERAL TOLERANCE	UNITS	mm	KLS P/N: L-KLS1-2.50L-MT
x.x ±0.30	SHEET SIZE	A4	
x.xx ±0.20	Draw:	Daniel	2021-01-11
x.xxx ±0.10	Check:	Daniel	2021-01-11



NingBo KLS ELECTRONIC CO.,LTD.

1 RoHS Compliance

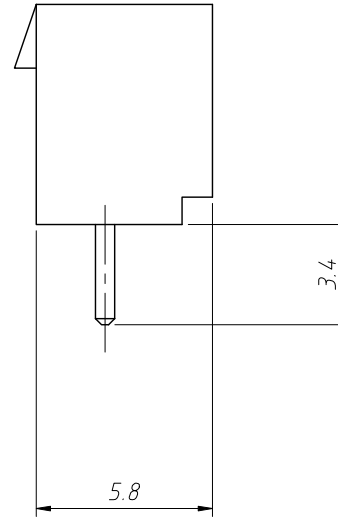


Recommended PCB Layout

Material:  
Housing: PA66, UL 94 V-2  
Contact: Brass  
Plating: Tin plated

Electrical Characteristics:  
Rated Current: 3.0 AMP  
Voltage rating: 250V AC, DC  
Temperature range:  $-25^{\circ}\text{C} \sim +85^{\circ}\text{C}$   
Insulator Resistance: 1000M $\Omega$  Min  
Withstanding Voltage: 1000V AC/minute  
Contact Resistance: 20m $\Omega$  Max

Pin	Dimensions (mm)	
	A	B
02	2.50	7.50
03	5.00	10.00
04	7.50	12.50
05	10.00	15.00
06	12.50	17.50
07	15.00	20.00
08	17.50	22.50
09	20.00	25.00
10	22.50	27.50
11	25.00	30.00
12	27.50	32.50
13	30.00	35.00
14	32.50	37.50
15	35.00	40.00
16	37.50	42.50



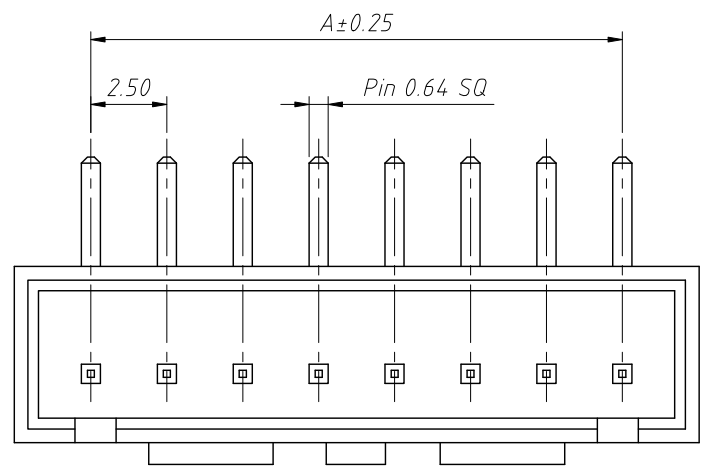
Order Information:  
L-KLS1-2.50L-XX-S  
L: RoHS  
Pitch: 2.50mm  
XX-No. of 02 ~ 16 pins  
Type:  
H / FH-Housing T / MT-Terminal  
S-Straight male pin  
R-Right angle male pin  
RM-SMT male pin

ANGLE TOLERANCE	PROJECTION	Description:
$\pm 3^{\circ}$		2.50mm Pitch XHB With Lock Type Wire To Board Connector
GENERAL TOLERANCE	UNITS	mm
x.x $\pm 0.30$	SHEET SIZE	A4
x.xx $\pm 0.20$	Draw:	Daniel 2021-01-11
x.xxx $\pm 0.10$	Check:	Daniel 2021-01-11



NingBo KLS ELECTRONIC CO.,LTD.

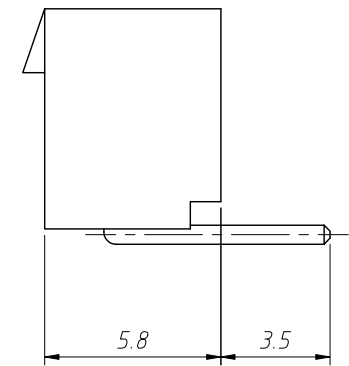
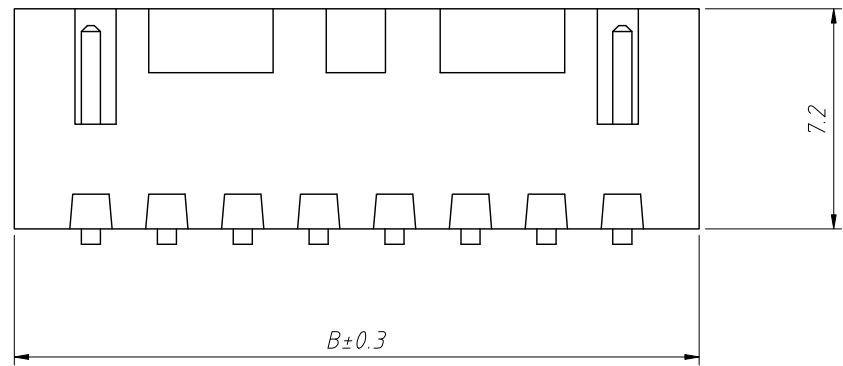
1  
RoHS Compliance



**Material:**  
Housing: PA66, UL 94V-2  
Contact: Brass  
Plating: Tin plated

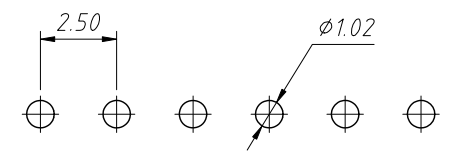
**Electrical Characteristics:**  
Rated Current: 3.0AMP  
Voltage rating: 250V AC, DC  
Temperature range: -25°C ~ +85°C  
Insulator Resistance: 1000M $\Omega$  Min  
Withstanding Voltage: 1000V AC/minute  
Contact Resistance: 20m $\Omega$  Max

Pin	Dimensions (mm)	
	A	B
02	2.50	7.50
03	5.00	10.00
04	7.50	12.50
05	10.00	15.00
06	12.50	17.50
07	15.00	20.00
08	17.50	22.50
09	20.00	25.00
10	22.50	27.50
11	25.00	30.00
12	27.50	32.50
13	30.00	35.00
14	32.50	37.50
15	35.00	40.00
16	37.50	42.50



**Order Information:**  
L-KLS1-2.50L-XX-R

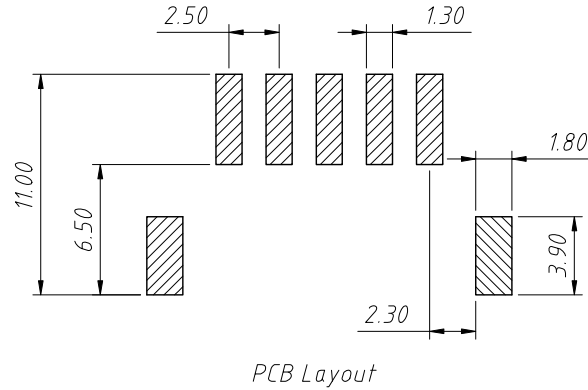
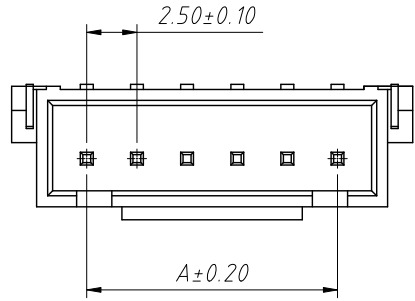
L: RoHS  
Pitch: 2.50mm  
XX-No. of 02 ~ 16 pins  
Type: \_\_\_\_\_  
H / FH-Housing T / MT-Terminal  
S-Straight male pin  
R-Right angle male pin  
RM-SMT male pin



Recommended PCB Layout

ANGLE TOLERANCE	PROJECTION	Description:	2.50mm Pitch XHB With Lock Type Wire To Board Connector
$\pm 3^\circ$			
GENERAL TOLERANCE	UNITS	mm	KLS P/N: L-KLS1-2.50L-XX-R
x.x $\pm 0.30$	SHEET SIZE	A4	NingBo KLS ELECTRONIC CO.,L TD.
x.xx $\pm 0.20$	Draw:	Daniel 2021-01-11	
x.xxx $\pm 0.10$	Check:	Daniel 2021-01-11	

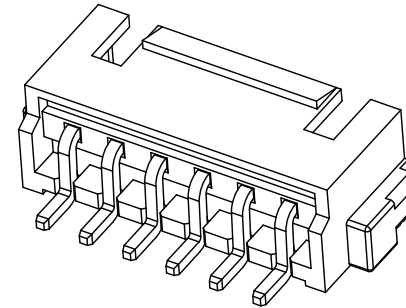
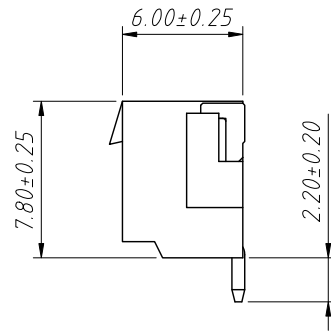
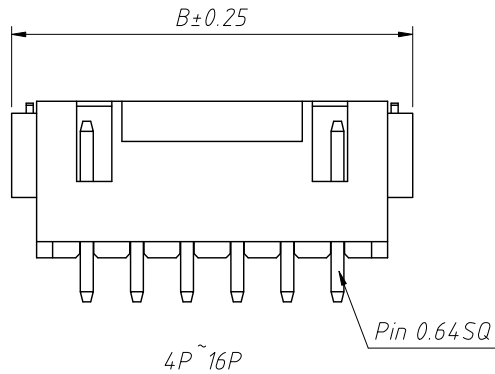
RoHS Compliance



Pin	Dimensions(mm)	
	A	B
02	2.50	10.00
03	5.00	12.50
04	7.50	15.00
05	10.00	17.50
06	12.50	20.00
07	15.00	22.50
08	17.50	25.00
09	20.00	27.50
10	22.50	30.00
11	25.00	32.50
12	27.50	35.00
13	30.00	37.50
14	32.50	40.00
15	35.00	42.50
16	37.50	45.00

**Material:**  
Housing: PA9T/LCP, UL 94V-0  
Contact: Brass  
Plating: Tin plated

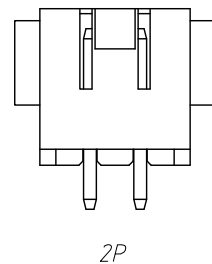
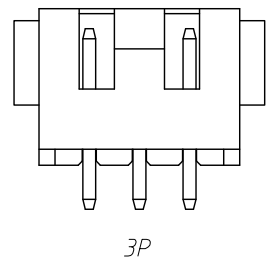
**Electrical Characteristics:**  
Rated Current: 3.0AMP  
Voltage rating: 250V AC, DC  
Temperature range: -25°C ~ +85°C  
Insulator Resistance: 500MΩ Min  
Withstanding Voltage: 1000V AC/minute  
Contact Resistance: 20mΩ Max  
After environmental testing: 30mΩ Max



**Order Information:**  
L-KLS1-2.50L-XX-RM

L: RoHS  
Pitch: 2.50mm  
XX-No. of 02 ~ 16 pins  
Type: \_\_\_\_\_

H / FH-Housing T / MT-Terminal  
S-Straight male pin  
R-Right angle male pin  
RM-SMT male pin



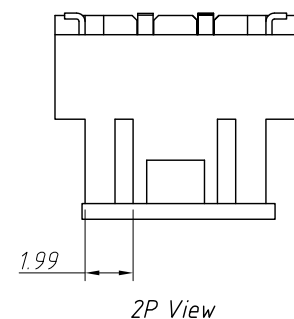
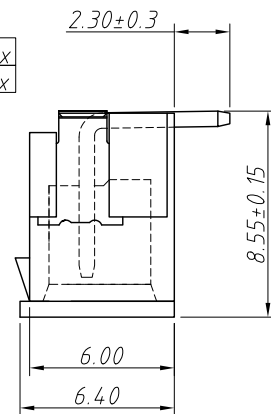
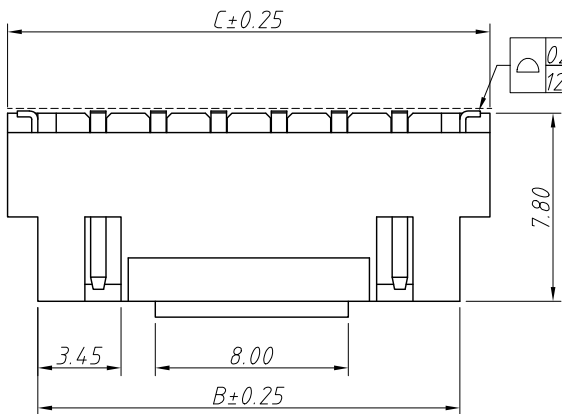
ANGLE TOLERANCE	PROJECTION	Description:
±3°		2.50mm Pitch XHB With Lock Type Wire To Board Connector
GENERAL TOLERANCE	UNITS	mm
x.x ±0.30	SHEET SIZE	A4
x.xx ±0.20	Draw:	Daniel 2021-01-11
x.xxx ±0.10	Check:	Daniel 2021-01-11

L-KLS1-2.50L-XX-RM

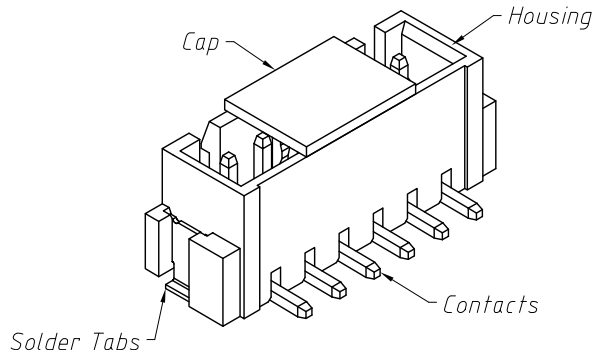
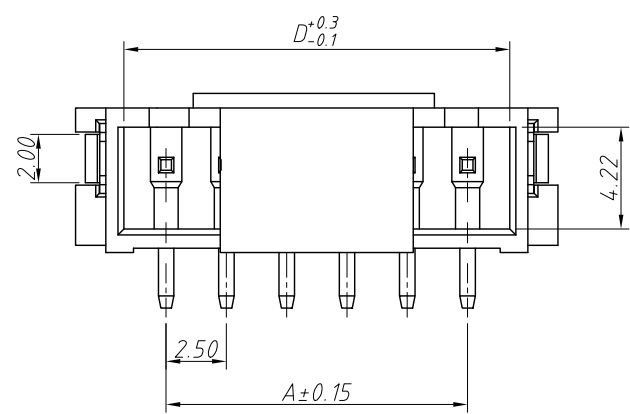
NingBo KLS ELECTRONIC CO.,LTD.

1 RoHS Compliance

REV	SYM	Revision Record	Appr.	Date
V0	KLS02056	New Version Release	WuHao	2025-04-03



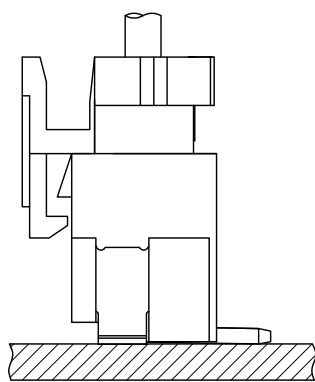
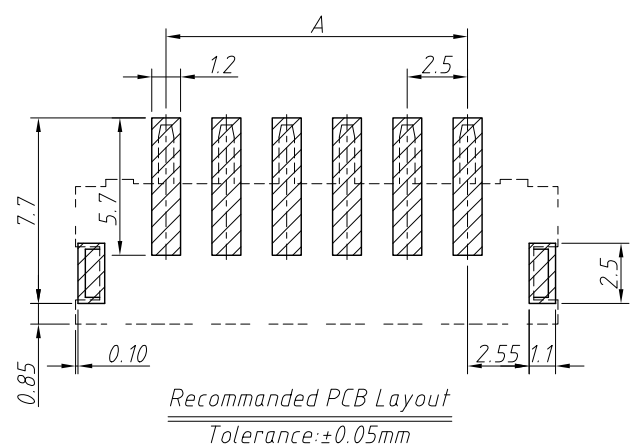
Circuits	Dimension			
	A	B	C	D
02	2.50	7.50	10.00	6.00
03	5.00	10.00	12.50	8.50
04	7.50	12.50	15.00	11.00
05	10.00	15.00	17.50	13.50
06	12.50	17.50	20.00	16.00
07	15.00	20.00	22.50	18.50
08	17.50	22.50	25.00	21.00
09	20.00	25.00	27.50	23.50
10	22.50	27.50	30.00	26.00
11	25.00	30.00	32.50	28.50
12	27.50	32.50	35.00	31.00
13	30.00	35.00	37.50	33.50
14	32.50	37.50	40.00	36.00
15	35.00	40.00	42.50	38.50
16	37.50	42.50	45.00	41.00



**Order Information:**  
**L-KLS1-2.50L-04-VM-R**  
 L: RoHS  
 Pitch: 2.50mm  
 XX-No. of 02~16 Pins  
 Type: VM-Vertical SMT Pin  
 Packing: R-Reel

**Material:**  
 Housing: LCP, UL 94 V-0, Natural  
 Cap: LCP, UL 94 V-0, Natural  
 Contact: Brass, Sn-Plated  
 Solder Tab: Phosphor Bronze, Sn-Plated

**Electric:**  
 Contact Resistance: 20mΩ Max  
 Insulation Resistance: 1000MΩ Min  
 Rated Voltage: 250V AC DC  
 Rated Current: 3.0A AC DC  
 Withstand Voltage: 1000V AC/Minute  
 Temperature Range: -25°C ~ +105°C

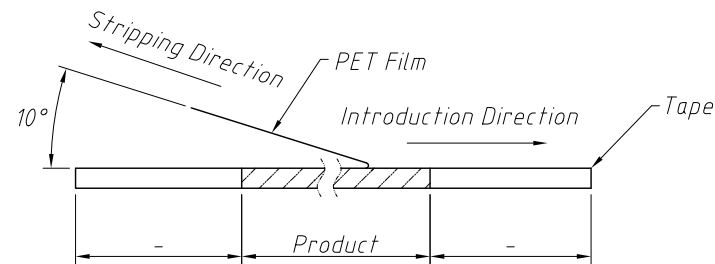
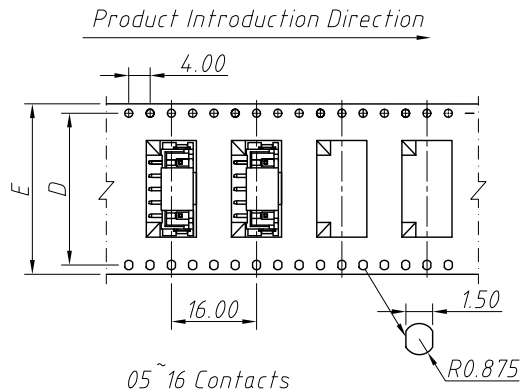
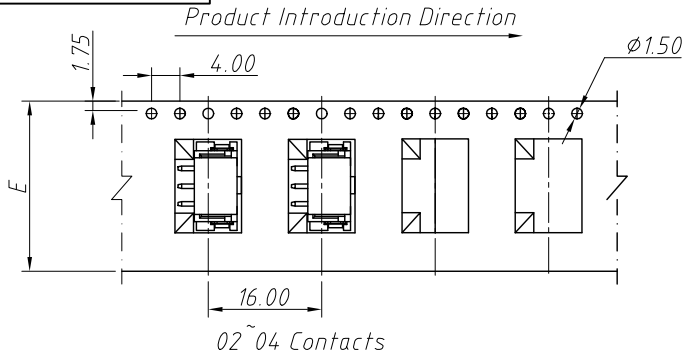


ANGLE TOLERANCE	PROJECTION	Description:	2.50mm Pitch XHB With Lock Type Wire To Board Connector	
±3°				
GENERAL TOLERANCE	UNITS	mm	KLS P/N:	L-KLS1-2.50L-XX-VM-R
x. ±0.50	SHEET SIZE	A4	1/2	
x.x ±0.30	Draw:	WuHao	2025-04-03	NingBo KLS ELECTRONIC CO.,L TD.
x.xx ±0.20	Check:	Daniel	2025-04-03	



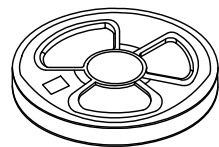
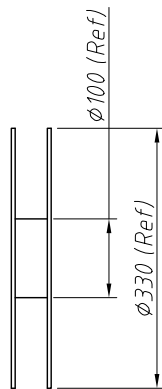
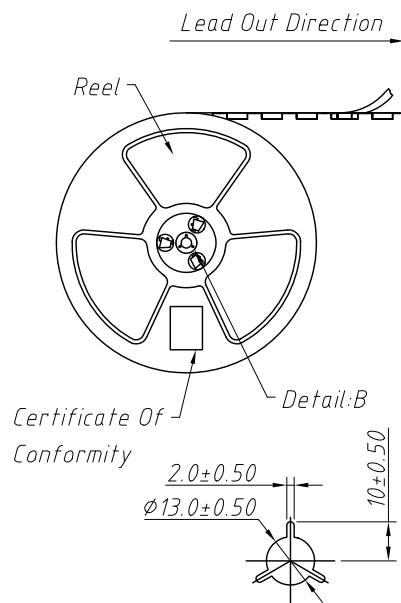
RoHS Compliance

REV	SYM	Revision Record	Appr.	Date
V0	KLS02056	New Version Release	WuHao	2025-04-03

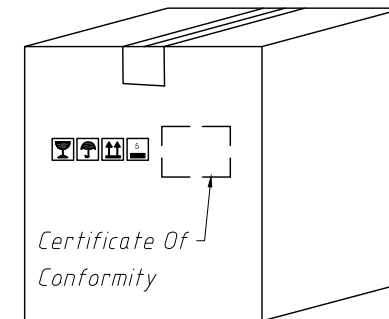
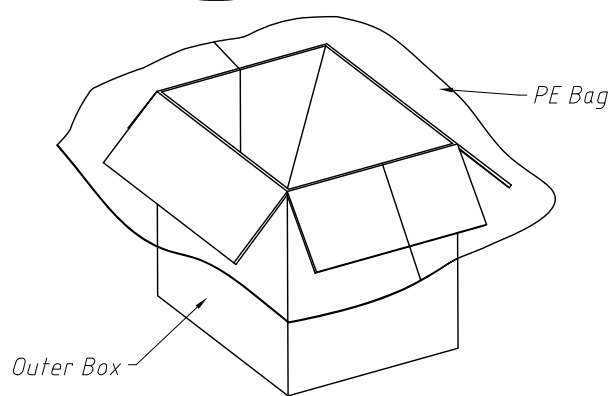


Back Empty	Packing Quantity	Forward Air
7 PCS	500 PCS	27 PCS
7 PCS	450PCS	29 PCS

PET Film Stripping Diagram



Disk (Reference List 1)



Reference List 1

Detail B

Circuits	Dimension		Q'ty/Reel
	D	E	
02~04 Pin	---	24	500 PCS
05~06 Pin	28.4	32	500 PCS
07~10 Pin	40.4	44	500 PCS
11~15 Pin	52.4	56	500 PCS
16 Pin	34.25	72	450 PCS

Packing instructions:

Wrap the finished products into the coil plate, each plate is loaded with 500PCS(16Pin loaded with 450PCS).

Paste the certificate on the reel, put the loaded product reel into the outer box, the outer box first set a large PE bag, and paste the certificate on the outer box.

ANGLE TOLERANCE	PROJECTION	Description:	2.50mm Pitch XHB With Lock Type Wire To Board Connector
±3°			
GENERAL TOLERANCE	UNITS	mm	KLS P/N: L-KLS1-2.50L-XX-VM-R
x. ±0.50	SHEET SIZE	A4	2/2
x.x ±0.30	Draw:	WuHao	2025-04-03
x.xx ±0.20	Check:	Daniel	2025-04-03



NingBo KLS ELECTRONIC CO.,LTD.