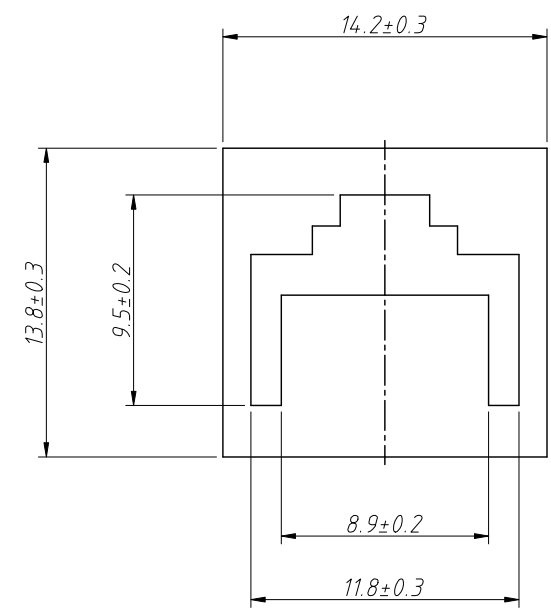
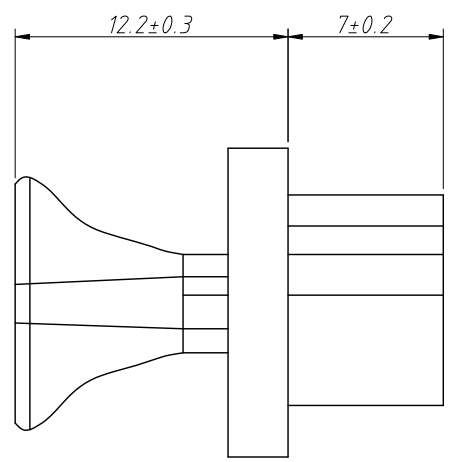


1  
RoHS Compliance

6	7	8
REV	SYM	Revision Record
V0	KLS08052	New Version Release
Appr.	Song	Date
		2024-12-09



Material:PE,Black

Note:  
Shrinking Is Normal Status  
Made Of Equivalent Material

ANGLE TOLERANCE	PROJECTION	Description:	RJ45 Jack Cover
±3°			
GENERAL TOLERANCE	UNITS	mm	KLS P/N: L-KLS8-030602
.x ±0.30	SHEET SIZE	A4	NingBo KLS ELECTRONIC CO.,L.TD.
.xx ±0.20	Draw:	Song	
.xxx ±0.10	Check:	Daniel	