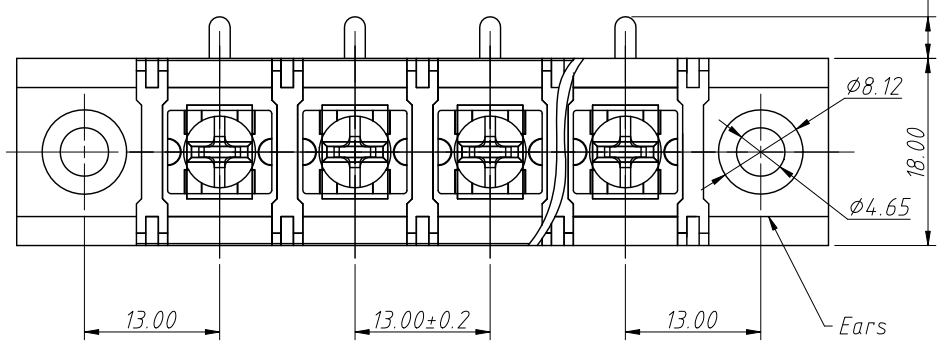
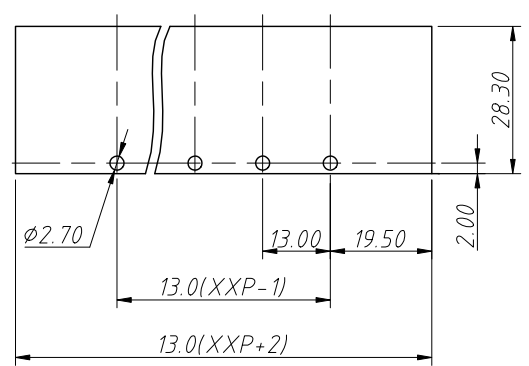


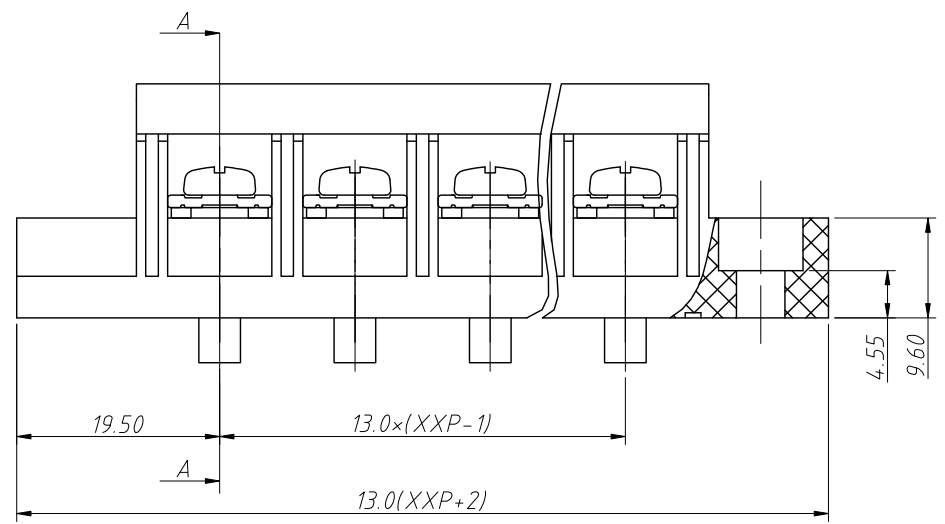
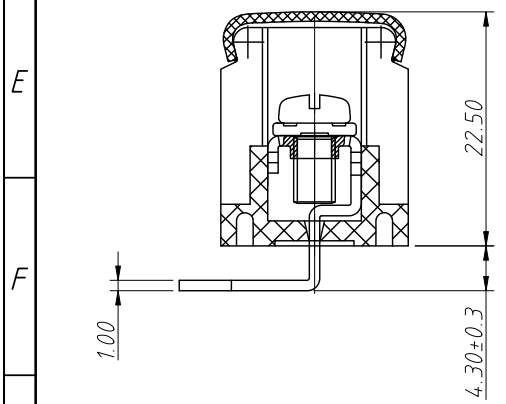
1
RoHS Compliance

REV	SYM	Revision Record	Appr.	Date
V0	KLS02006	New Version Release	Song	2024-08-20

Electrical Characteristics	UL	IEC
Rated Voltage	600V	750V
Rated Current	30A	32A
Withstand Voltage	2000V/1 min	---
Wire Range	18~10 AWG	4.0mm ²



Material and other:
 Housing: PA66, UL 94V-0
 Screw: Steel, M4/Ni Plated
 Pin: Copper Alloy, Tin Plated
 Cover: PC, UL 94V-2
 Torque: 1.2N.m
 Operating Temperature: -40°C ~ +105°C
 Max Soldering: 250°C, For 5s



Order Information
 L-KLS2-48R-13.0-05P-A

RoHS
 Terminal Block
 R-Right angle pin
 Pitch: 13.0mm
 No.: Of (02~20) Pin
 A=With Ears

ANGLE TOLERANCE	PROJECTION	Description:
±3°		Pitch 13.0mm Barrier Terminal Block
GENERAL TOLERANCE	UNITS	mm
.x ±0.30	SHEET SIZE	A4
.xx ±0.20	Draw:	Song
.xxx ±0.10	Check:	Daniel
KLS P/N:		L-KLS2-48R-13.0-XXP-A
KLS ELECTRONIC		NingBo KLS ELECTRONIC CO.,L TD.