

Material: UL NYLON 66/PC
 (natural color/black) Fire rating
 94V-2

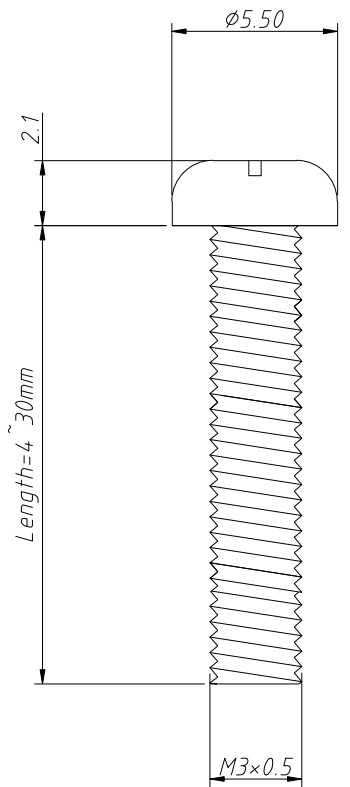
Product usage: PCB , plate , Good
 for computer or electronics
 equipment fixation
 Characteristic: For better
 insulation, light weight. No rust

Item No.				A	B	C	D	Pitch	Packing
PC		Nylon							
Natural color	Black	Natural color	Black						
PC-M2-05N	PC-M2-05NB	PF-M2-05	PF-M2-05B	2.0	05	1.4	3.5	0.4	
PC-M2-06N	PC-M2-06NB	PF-M2-06	PF-M2-06B		06				
PC-M2-08N	PC-M2-08NB	PF-M2-08	PF-M2-08B		08				
PC-M2-10N	PC-M2-10NB	PF-M2-10	PF-M2-10B		10				
PC-M2.5-06N	PC-M2.5-06NB	PF-M2.5-06	PF-M2.5-06B	2.5	06	2.0	4.5	0.45	
PC-M2.5-08N	PC-M2.5-08NB	PF-M2.5-08	PF-M2.5-08B		08				
PC-M2.5-10N	PC-M2.5-10NB	PF-M2.5-10	PF-M2.5-10B		10				
PC-M3.0-04N	PC-M3.0-04NB	PF-M3.0-04	PF-M3.0-04B	3.0	04	2.5	5.6	0.5	
PC-M3.0-06N	PC-M3.0-06NB	PF-M3.0-06	PF-M3.0-06B		06				
PC-M3.0-08N	PC-M3.0-08NB	PF-M3.0-08	PF-M3.0-08B		08				
PC-M3.0-10N	PC-M3.0-10NB	PF-M3.0-10	PF-M3.0-10B		10				
PC-M3.0-12N	PC-M3.0-12NB	PF-M3.0-12	PF-M3.0-12B		12				
PC-M3.0-15N	PC-M3.0-15NB	PF-M3.0-15	PF-M3.0-15B		15				

GENERAL TOLERANCE	PROJECTION		Description:
X. ±0.50	UNITS	mm	Pan Head Screws
.X ±0.25	SCALE	1:1	
.XX ±0.10	Draw by:	Jenny	
ANGLE TOLERANCE	Check by:		KLS P/N: L-KLS8-0318-PF-M2-05
X. ±5°	Date	2018-03-01	NingBo KLS ELECTRONIC CO.,L TD.
.X ±3°	SHEET	1 OF 1	
.XX ±2°			

1
RoHS Compliance

7		8	
REV	SYM	Revision Record	Appr.
V0	KLS08011	New Version Release	Song
		Date	
		2025-03-25	



Notes:

Material: PA66, UL 94 V-2, Natural/Black
 Operating Temperature: 0°C ~ +80°C

The Appearance Shall Be Free Of Defects Such As Burrs, Burrs, Shrinkage, Etc

This Product Does Not Contain Lead (Pb), Mercury (Hg), Pot (Cd), Hexavalent Inscription (Cr VI)

The Material Used In This Product Has A Water Absorption Of 2.5% After 24 Hours Immersion At A Temperature Of 23 °C And A Relative Humidity Of 50%

Usage: used for fixing insulating parts, light weight and corrosion resistance

Order Information

L-KLS8-0318-PF-M3-06 B

RoHS

Length: 04 ~ 30

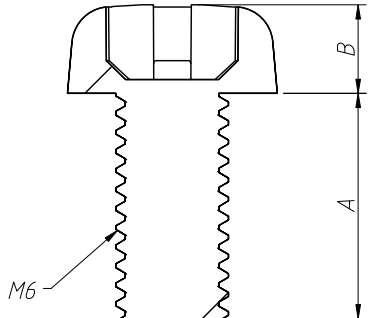
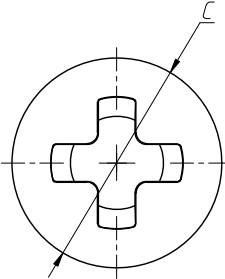
Color: Blank=Natural
 B=Black

ANGLE TOLERANCE	PROJECTION	Description:	Pan Head Nylon Screw	
±3°				
GENERAL TOLERANCE	UNITS	mm	KLS P/N:	L-KLS8-0318-PF-M3-XXX
.x ±0.30	SHEET SIZE	A4		
.xx ±0.20	Draw:	Song	2025-03-25	
.xxx ±0.10	Check:	Daniel	2025-03-25	

NingBo KLS ELECTRONIC CO.,LTD.

1
RoHS Compliance

6	7	8
REV	SYM	Revision Record
V0	KLS08269	New Version Release
		Appr.
		Jenny
		Date
		2025-03-20



size	A	B	C	Packing
M6x8	8.0	3.6	10.0	1000PCS
M6x10	10.0			
M6x10	10.0			
M6x12	12.0			
M6x15	15.0			
M6x20	20.0			
M6x25	25.0			
M6x30	30.0			
M6x35	35.0			
M6x40	40.0			
M6x45	45.0			
M6x50	50.0			
M6x55	55.0			
M6x60	60.0			

Notes:
Material:Nylon 66,Natural,UL 94V-2
Application:Fastening Function

The appearance of the product is correct, no obvious tip, deformation and other bad conditions

ANGLE TOLERANCE	PROJECTION	Description:	M6 Screw	
±3°				
GENERAL TOLERANCE	UNITS	mm	KLS P/N:	L-KLS8-0318-PF-M6-XX
.x ±0.30	SHEET SIZE	A4		
.xx ±0.20	Draw:	Jenny	2025-03-20	NingBo KLS ELECTRONIC CO.,L TD.
.xxx ±0.10	Check:	Daniel	2025-03-20	