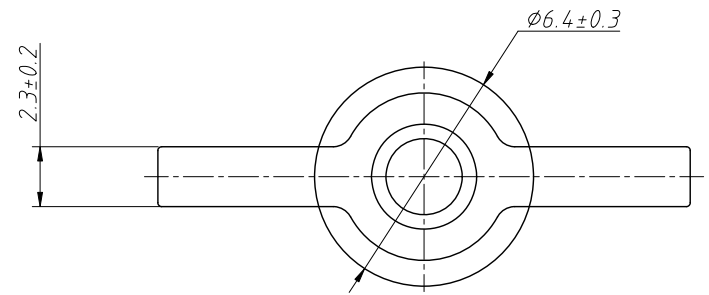
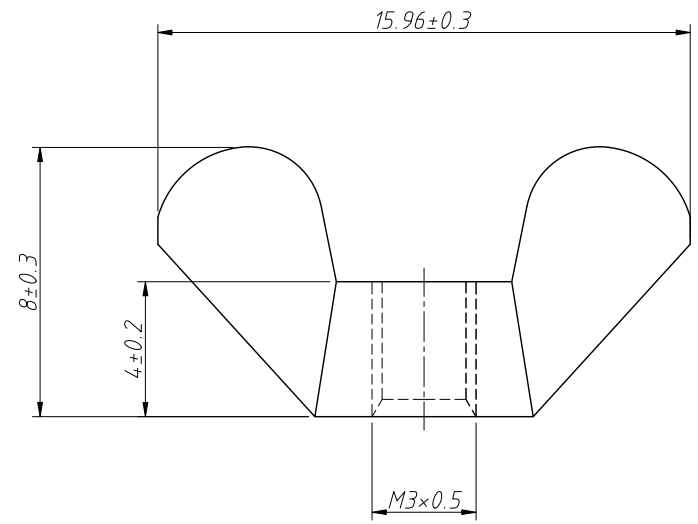


1  
RoHS Compliance

6		7		8	
REV	SYM	Revision Record		Appr.	Date
V0	KLS08052	New Version Release		Song	2025-03-26



Notes:  
 1. Material: NYLON66, UL 94 V-2, Natural  
 2. Shrinking Is Normal Status  
 3. Made Of Equivalent Material

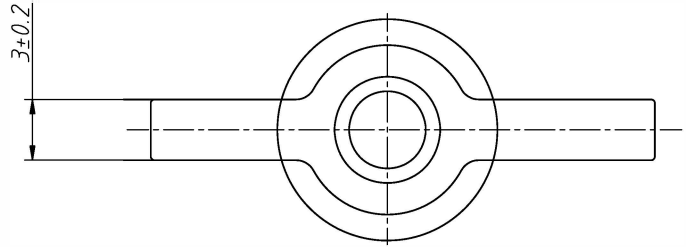


ITEM	Color
L-KLS8-0343-HNT-M3	Natural
L-KLS8-0343-HNT-M3B	Black

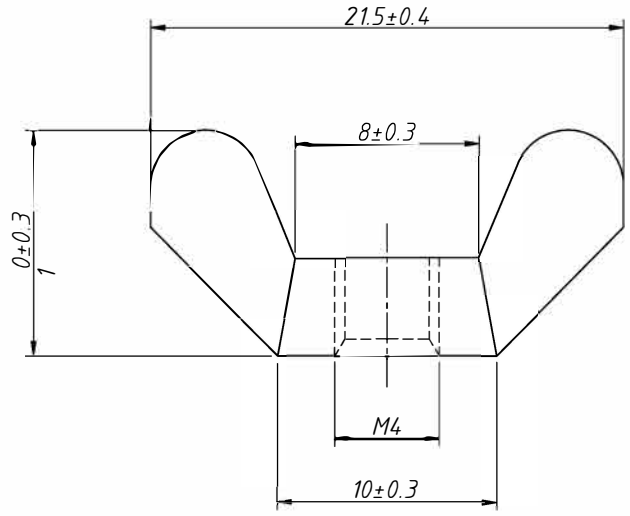
ANGLE TOLERANCE	PROJECTION	Description:			
$\pm 3^\circ$		Nylon Nut			
GENERAL TOLERANCE	UNITS	mm	KLS P/N:	L-KLS8-0343-HNT-M3	
.x $\pm 0.30$	SHEET SIZE	A4		NingBo KLS ELECTRONIC CO.,L TD.	
.xx $\pm 0.20$	Draw:	Song		2025-03-26	
.xxx $\pm 0.10$	Check:	Daniel		2025-03-26	

1  
RoHS Compliance

6		7		8	
REV	SYM	Revision Record		Appr.	Date
V0	KLS08052	New Version Release		Song	2025-03-26



Notes:  
 1. Material: NYLON66, UL 94 V-2, Natural  
 2. Shrinking Is Normal Status  
 3. Made Of Equivalent Material



ITEM	Color
L-KLS8-0343-HNT-M4	Natural
L-KLS8-0343-HNT-M4B	Black

ANGLE TOLERANCE	PROJECTION	Description:			
±3°		Nylon Nut			
GENERAL TOLERANCE	UNITS	mm	KLS P/N:		
.x ±0.30	SHEET SIZE	A4	L-KLS8-0343-HNT-M4		
.xx ±0.20	Draw:	Song	2025-03-26	NingBo KLS ELECTRONIC CO.,L TD.	
.xxx ±0.10	Check:	Daniel	2025-03-26		