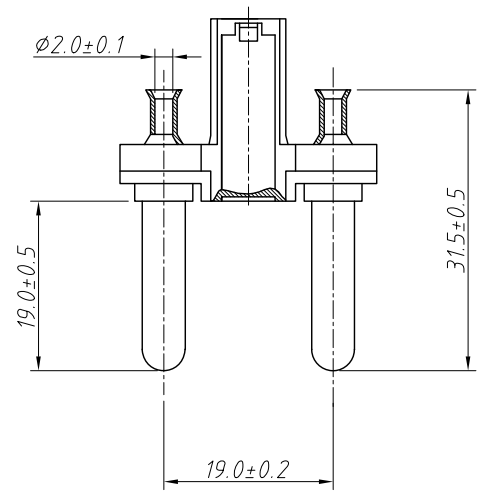
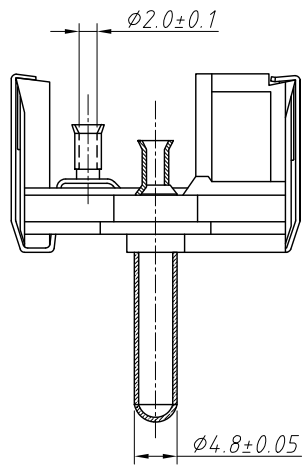
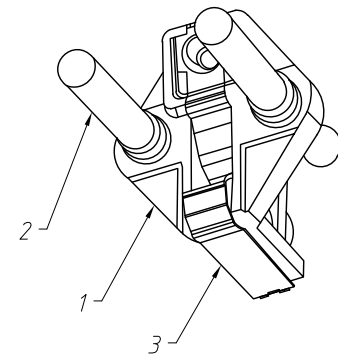
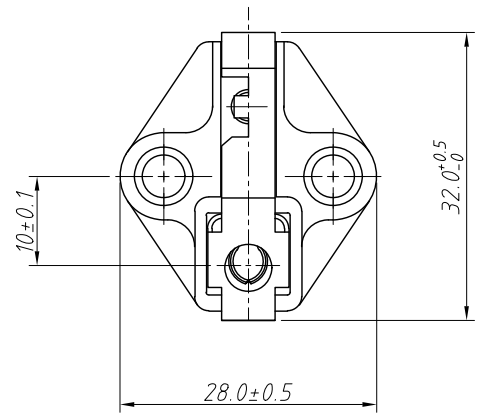
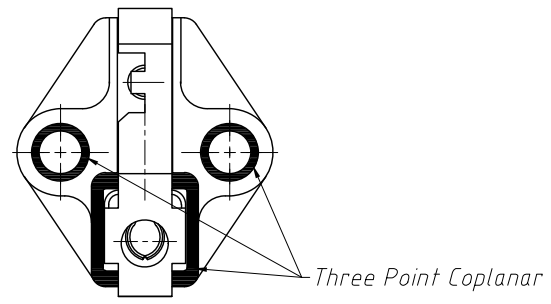


1
RoHS Compliance

6	7		8		
REV	SYM	Revision Record		Appr.	Date
V0	KLS01074	New Version Release		WuHao	2024-12-12



Material And Other:
 1.Bracket:PBT+30%GF,UL94 V-0,Black
 2.Pin Header:Brass,1.0-3.0μm ,Ni Plated
 3.French Bracket:Brass,1.0-3.0μm ,Ni Plated
 Hot Wire:750°C
 Wire Gauge:0.5mm²~ 1.0mm²



ANGLE TOLERANCE		PROJECTION		Description:	
±3°				AC Power Socket Connector	
GENERAL TOLERANCE		UNITS	mm	KLS P/N:	
0<x<1.0	±0.1	SHEET SIZE	A4	L-KLS1-AS-HXD-0005A	
1.0<x<6.0	±0.2	Draw:	WuHao	2024-12-12	NingBo KLS ELECTRONIC CO.,LTD.
6.0<x<18.0	±0.3	Check:	Daniel	2024-12-12	
18.0<x<40.0	±0.4				