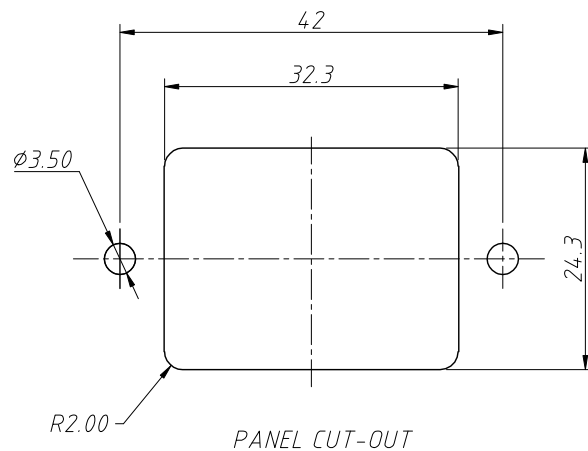
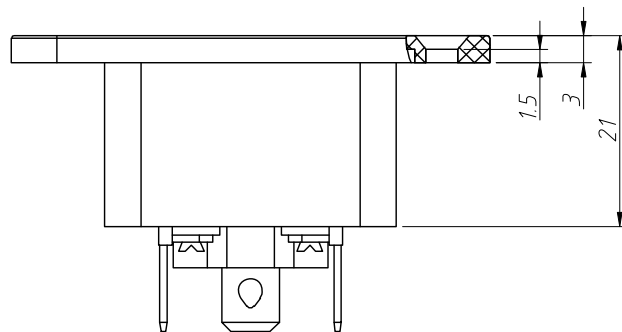
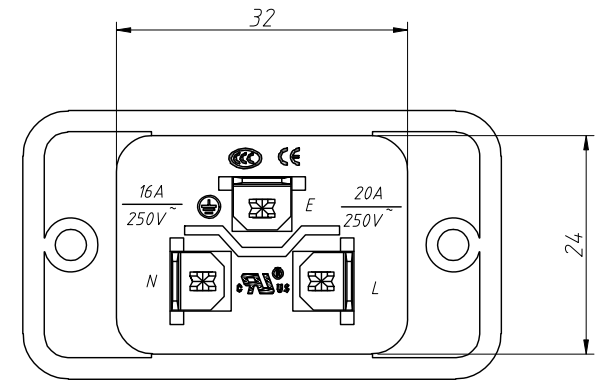
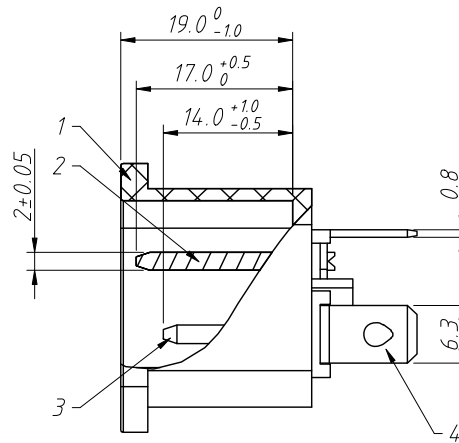
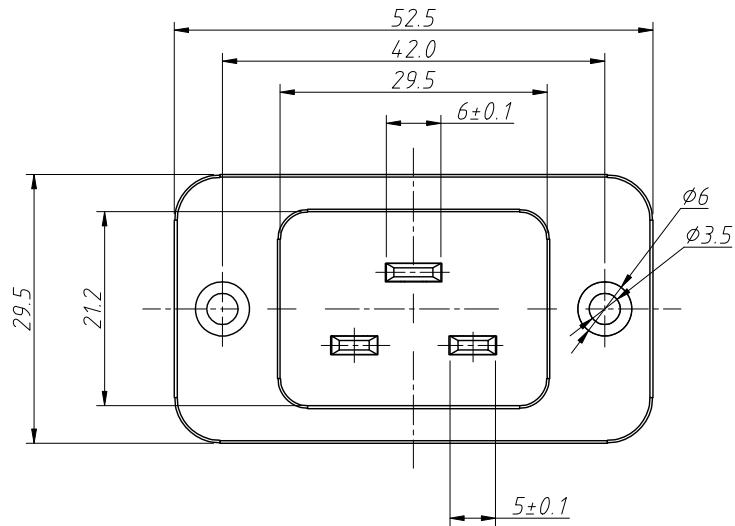


1 RoHS Compliance

REV	SYM	Revision Record	Appr.	Date
V0	KLS01149	New Version Release	Song	2024-11-25



Material:

- 1.Base:PA66
- 2.Grounding Pin:Brass T=2.0mm
- 3.Current-Carrying Pin:Brass T=2.0mm
- 4.Quick Connect Pin:Brass T=0.8mm

Socket Electricals:

- Rating:16A, 250Vac KC CE 3C TUV
- 20A, 250Vac UL cUL
- Withstand Voltage:Between all terminals:2500VAC(50-60Hz)1min
- Terminals to Base:3750V AC(50-60Hz)1min
- Leakage Current:1mA
- Insulation Resistance:100MΩ Min 500V DC
- Glow-Wire Temperature:750°C

ANGLE TOLERANCE	PROJECTION	Description:	AC Power Socket Connector	
±5°				
GENERAL TOLERANCE	UNITS	mm	KLS P/N:	L-KLS1-AS-305-16
0~5	±0.20	SHEET SIZE	A4	
5~30	±0.30	Draw:	Song	2024-11-25
30~	±0.50	Check:	Daniel	2024-11-25



NingBo KLS ELECTRONIC CO.,L TD.