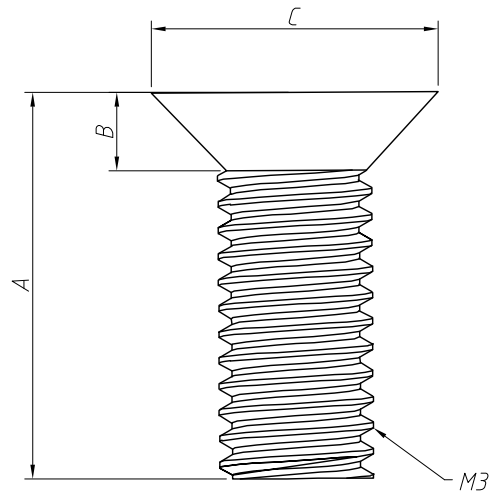


1  
RoHS Compliance

6	7	8
REV	SYM	Revision Record
V0	KLS08269	New Version Release
		Appr.
		WuHao
		Date
		2025-03-20



size	A	B	C	Packing
M3×5	5.0	1.6	5.5	1000PCS
M3×6	6.0			
M3×8	8.0			
M3×10	10.0			
M3×12	12.0			
M3×15	15.0			
M3×18	18.0			
M3×20	20.0			

**Notes:**

Material:Nylon 66,Natural,UL 94V-2

Application:Fastening Function

The appearance of the product is correct, no obvious tip, deformation and other bad conditions

ANGLE TOLERANCE	PROJECTION	Description:		
±3°			M3 Screw	
GENERAL TOLERANCE	UNITS	mm	KLS P/N: L-KLS8-0346-M3-XX	
.x ±0.30	SHEET SIZE	A4	NingBo KLS ELECTRONIC CO.,L TD.	
.xx ±0.20	Draw:	WuHao		2025-03-20
.xxx ±0.10	Check:	Daniel		2025-03-20