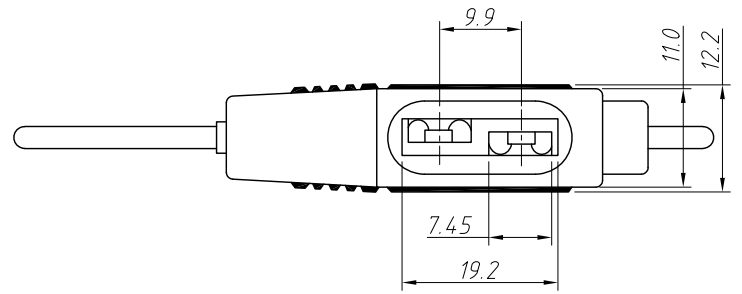
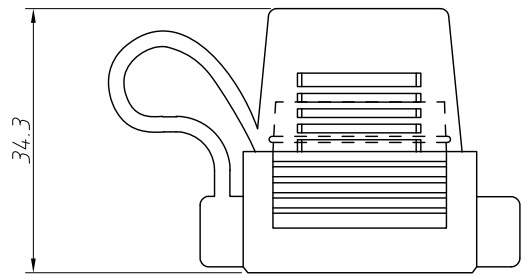
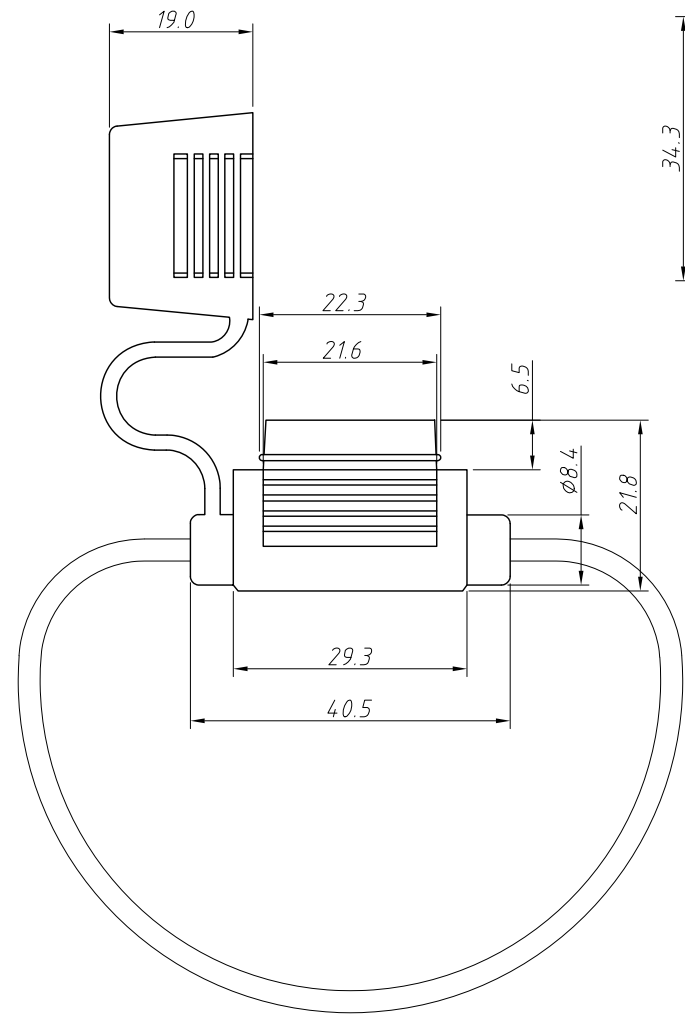


1
RoHS Compliance

6		7		8	
REV	SYM	Revision Record		Appr.	Date
V0	KLS05184	New Version Release		WuHao	2024-12-19



Notes:
 Insulating:PVC
 Contact:Brass,Tin-Plating
 Applicable:For ATU Fuses
 Range Of Wire Gauge:#12~#22



Order Information
 L-KLS5-708C-14AWG-R 300

RoHS	
Wire AWG	
12-12AWG	For 30A Max
14-14AWG	For 20A Max
16-16AWG	For 15A Max
18-18AWG	For 10A Max
20-20AWG	For 5A Max
22-22AWG	For 5A Max
Cable Color:R-	Red
Cable Long:	130-130mm, 300-300mm.....

ANGLE TOLERANCE	PROJECTION	Description:			
±3°		Fuse Holder			
GENERAL TOLERANCE	UNITS	mm	KLS P/N:		
x ±0.5	SHEET SIZE	A4	L-KLS5-708C-XXAWG-RXX		
xx ±0.25	Draw:	WuHao	2024-12-19	NingBo KLS ELECTRONIC CO.,L TD.	
	Check:	Daniel	2024-12-19		