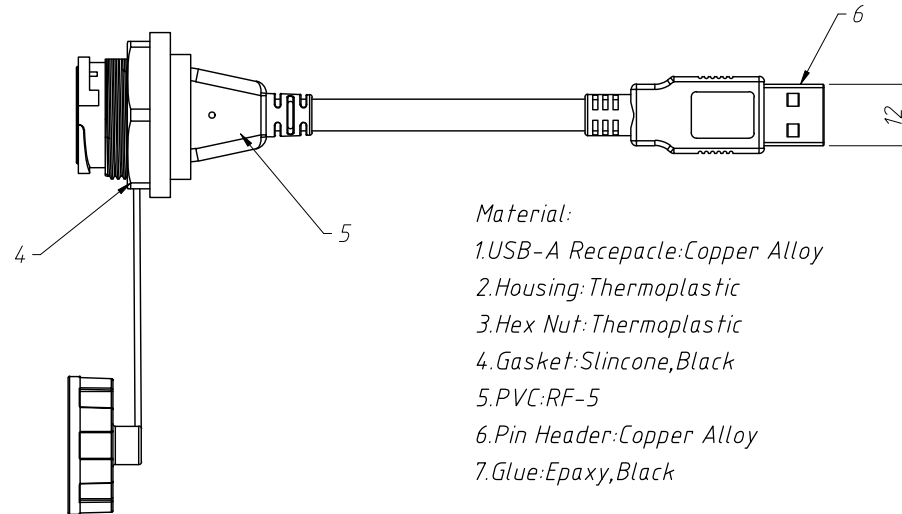
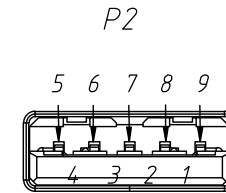
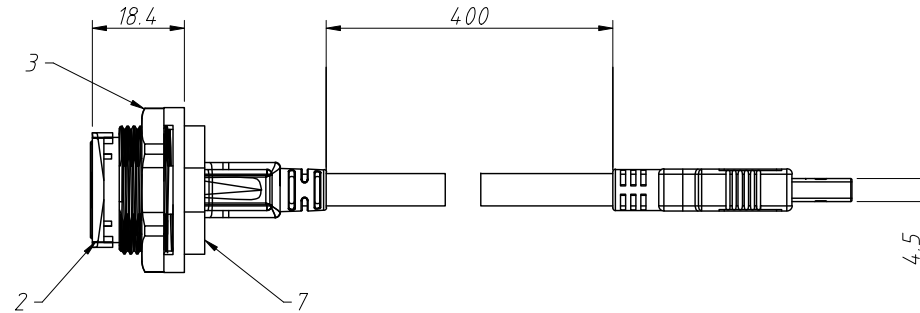
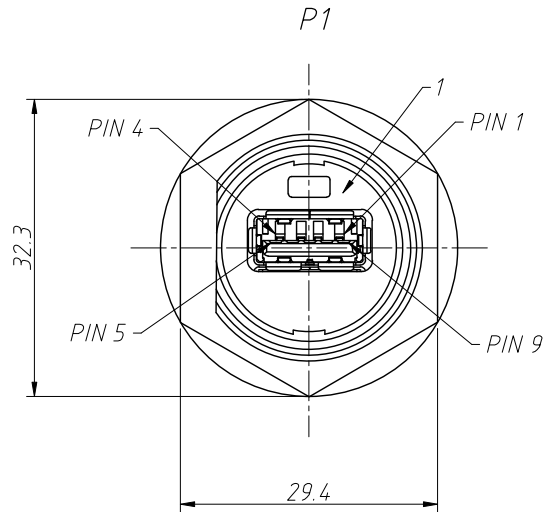


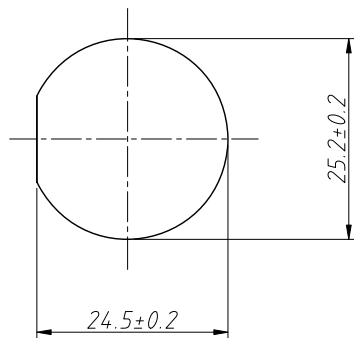
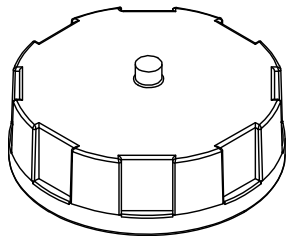
1 RoHS Compliance

7		8	
REV	SYM	Revision Record	Appr.
V0	KLS15032	New Version Release	Song
			Date
			2024-09-19



Wire Sequence Diagram:(P1-P2)

1	2	3	4	5	6	7	8	9	Shell
1	2	3	4	5	6	7	8	9	Shell



Recommend Panel Cut-Out

Material:

- 1.USB-A Receptacle:Copper Alloy
- 2.Housing:Thermoplastic
- 3.Hex Nut:Thermoplastic
- 4.Gasket:Silicone,Black
- 5.PVC:RF-5
- 6.Pin Header:Copper Alloy
- 7.Glue:Epoxy,Black

Notes:

- 1. Waterproof rating:IP67 (connected state)
- 2. It is recommended to have a panel thickness of 0.8-6.0mm
- 3. Recommended torque 19-20kgf-cm

ANGLE TOLERANCE	PROJECTION	Description:	USB 3.0 Waterproof Connector	
±3°				
GENERAL TOLERANCE	UNITS	mm	KLS P/N:	L-KLS15-WUSB3.0-07-P1
.x ±0.30	SHEET SIZE	A4		
.xx ±0.20	Draw:	Song	2024-09-19	NingBo KLS ELECTRONIC CO.,L TD.
.xxx ±0.10	Check:	Daniel	2024-09-19	