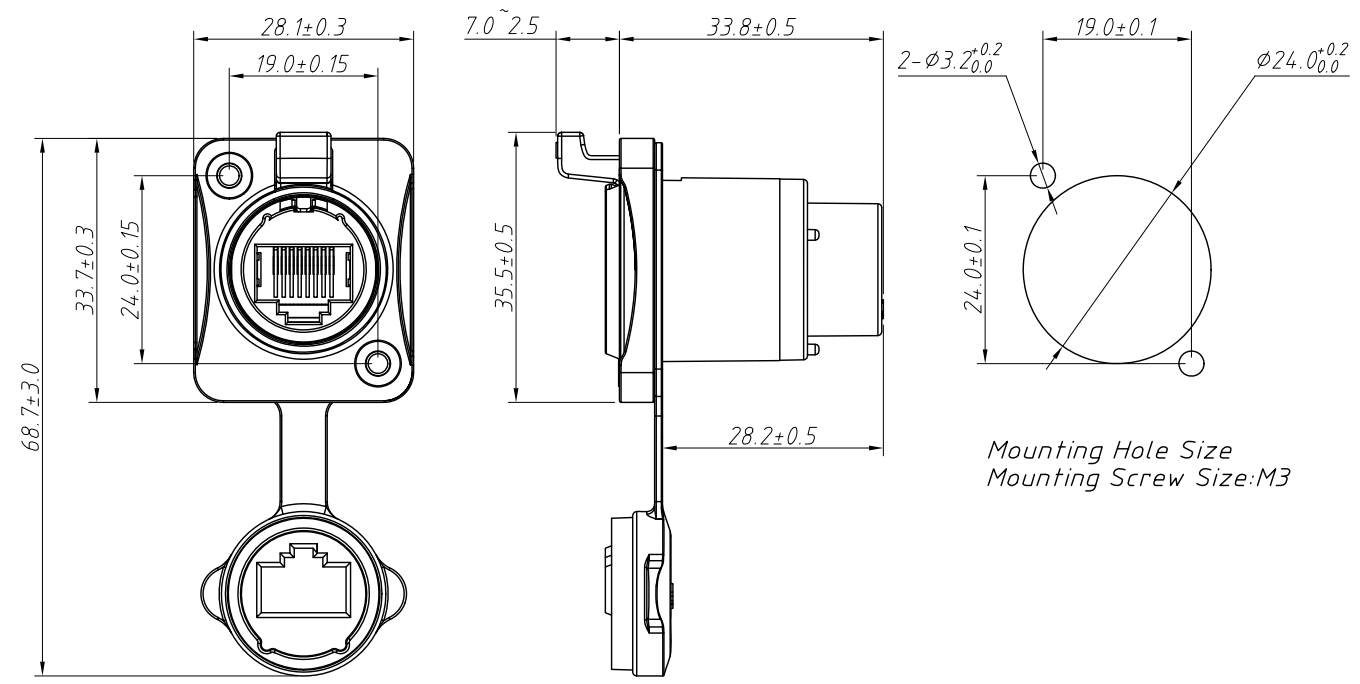


1
RoHS Compliance

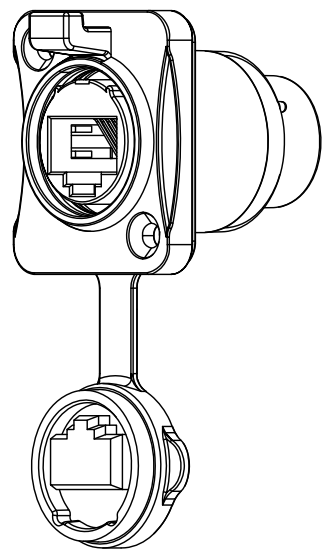
6	7	8
REV	SYM	Revision Record
V0	KLS01256	New Version Release
		Appr.
		WuHao
		Date
		2024-12-27

Material:
 RJ45 Contacts: Copper Alloy
 Housing: Thermoplastic
 PCB: RF-5

Electrical:
 Rated Current: 1.5A
 Rated Voltage: 125V
 Withstand Voltage: 1000 AC
 Contact resistance: 30mΩ Max
 Insulation resistance: 500MΩ
 Ipcode: IP65
 Life: 500 Cycles Min
 Tightening Torque: 0.4N.m
 Transmis Sionrate: CAT.3
 Operating Temperature: -25°C ~ +85°C



Mounting Hole Size
 Mounting Screw Size: M3



ANGLE TOLERANCE	PROJECTION	Description:
±3°		RJ45 Waterproof ethernet
GENERAL TOLERANCE	UNITS	mm
.x ±0.30	SHEET SIZE	A4
.xx ±0.20	Draw:	WuHao 2024-12-27
.xxx ±0.10	Check:	Daniel 2024-12-27
		NingBo KLS ELECTRONIC CO.,L TD.