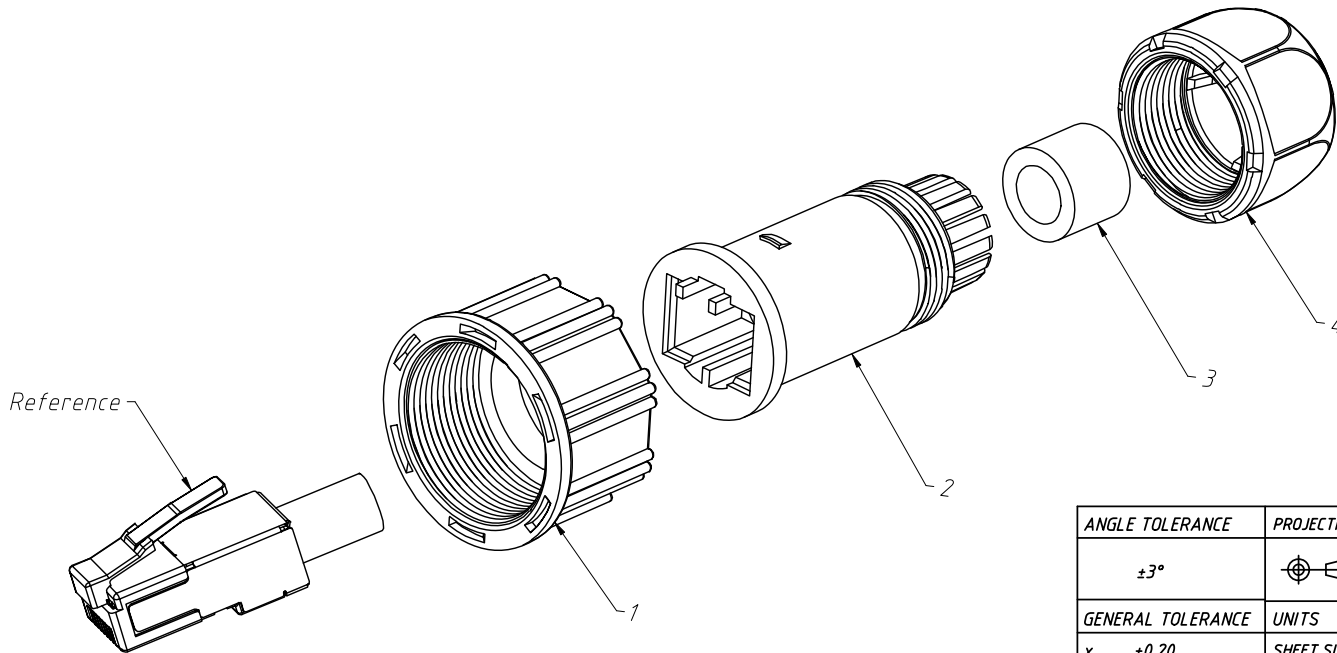
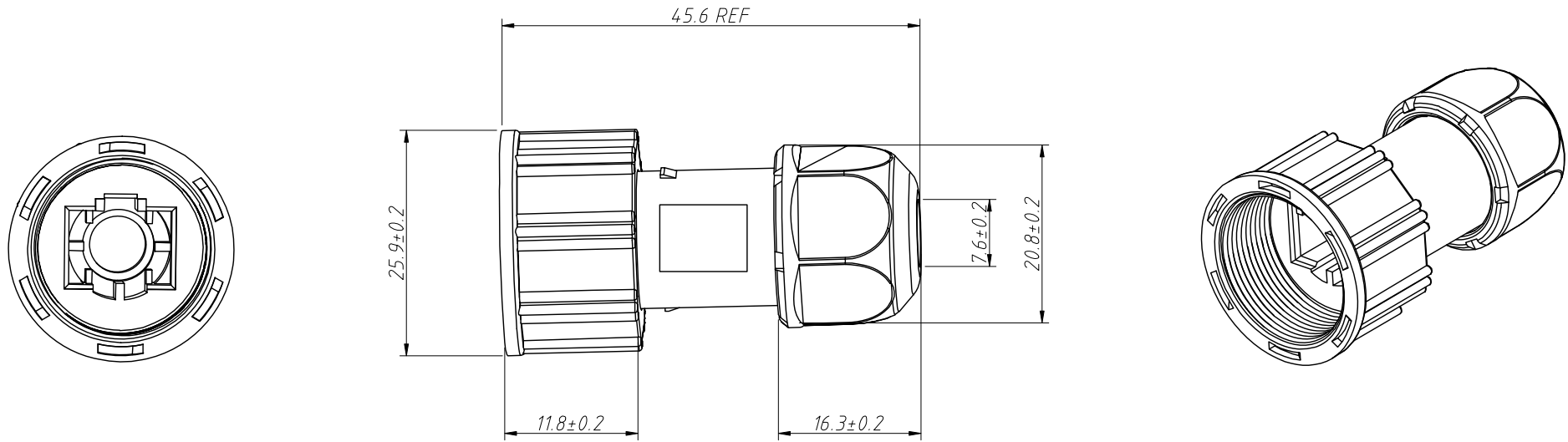


1 RoHS Compliance

6	7	8
REV	SYM	Revision Record
V0	KLS15032	New Version Release
		Appr. Song
		Date 2024-12-16



Material:
 1.Housing:Thermoplastic
 2.Housing:Thermoplastic
 3.Clamp Coil:Silica gel
 4.Nut:Thermoplastic

ANGLE TOLERANCE	PROJECTION	Description:	Waterproof RJ45 Connectors	
±3°				
GENERAL TOLERANCE	UNITS	mm	KLS P/N:	L-KLS15-WEC45-17-P1
x. ±0.20	SHEET SIZE	A4		
x.x ±0.10	Draw:	Song	2024-12-16	NingBo KLS ELECTRONIC CO.,LTD.
x.xx ±0.05	Check:	Daniel	2024-12-16	

1 RoHS Compliance

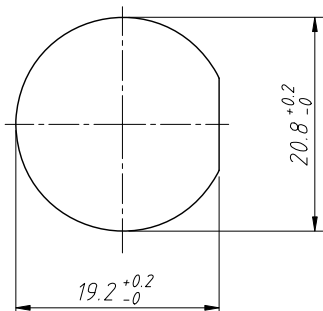
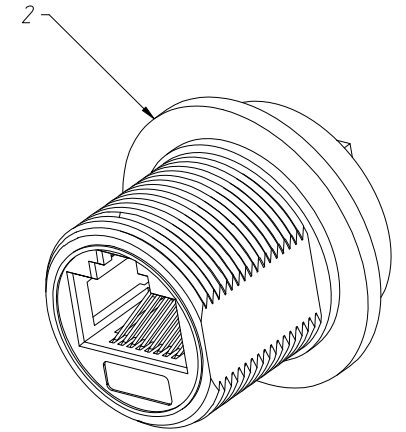
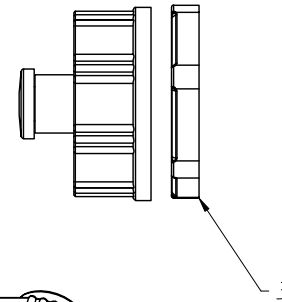
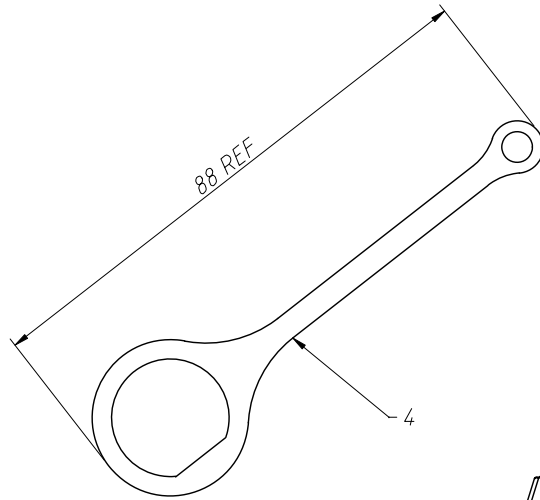
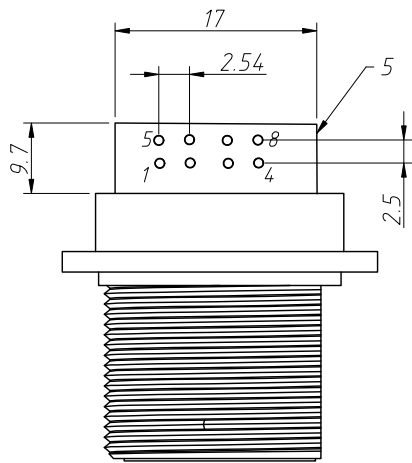
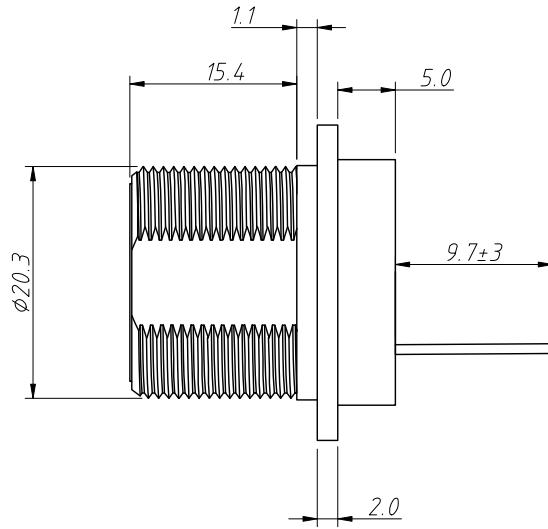
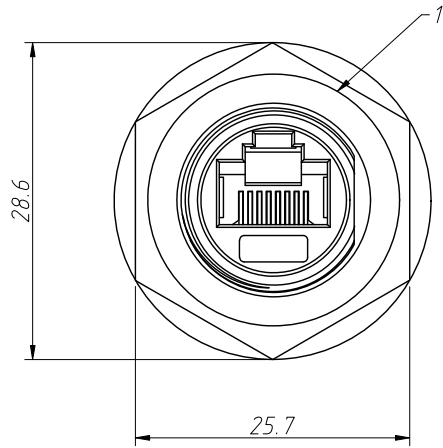
6		7		8	
REV	SYM	Revision Record		Appr.	Date
V0	KLS15032	New Version Release		Song	2024-11-25

Material:

- 1.RJ45 Conntacts:Copper Alloy
- 2.Housing:Thermoplastic
- 3.Hex Nut:Thermoplastic
- 4.Gasket:Slincone,Black
- 5.PCB:RF-5

Notes:

- 1. Waterproof rating:IP67 (connected state)
- 2. It is recommended to have a panel thickness of 0.8-5.0mm
- 3. Recommended torque 19-20kgf-cm



Recommend Panel Cut-Out

ANGLE TOLERANCE	PROJECTION	Description:			
±3°		RJ45 Waterproof ethernet connectors 8Pin			
GENERAL TOLERANCE	UNITS	mm	KLS P/N:		
x. ±0.2	SHEET SIZE	A4	L-KLS15-WEC45-17-S1		
x.x ±0.10	Draw:	Song	2024-11-25		
x.xx ±0.05	Check:	Daniel	2024-11-25		