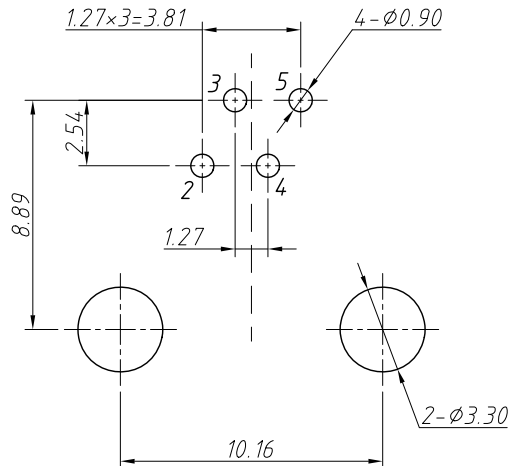
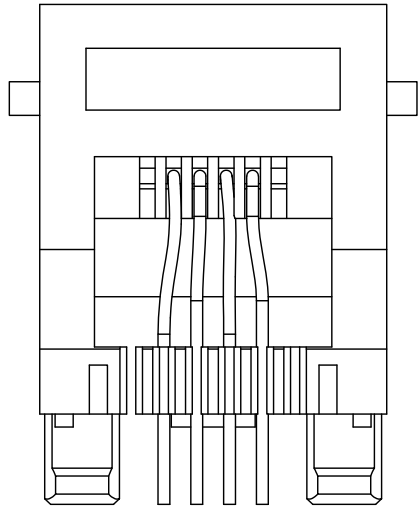


1 RoHS Compliance

REV	SYM	Revision Record	Appr.	Date
V0	KLS12006	New Version Release	WuHao	2025-01-14



Recommended PCB Layout

**Material:**

- 1.Housing:PBT, UL 94V-0
- 2.Contact:∅0.46mm C51000 Phosphor Bronze  
Gold Plating Over Nickel

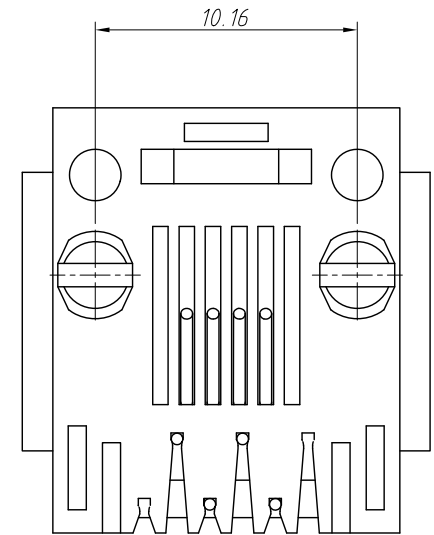
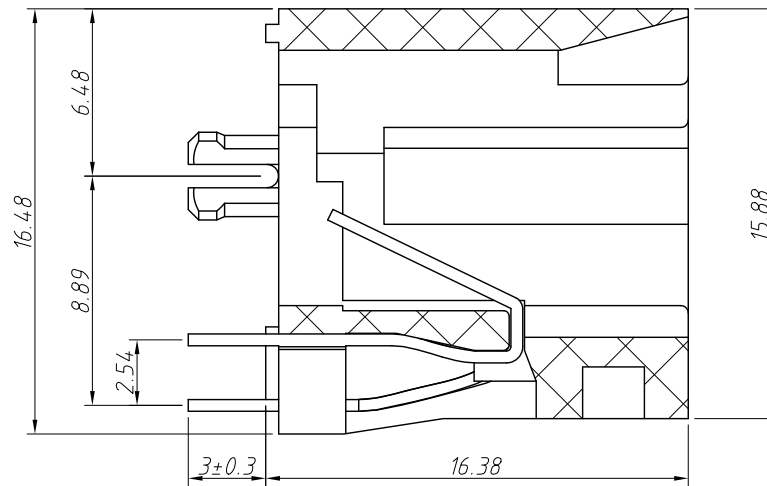
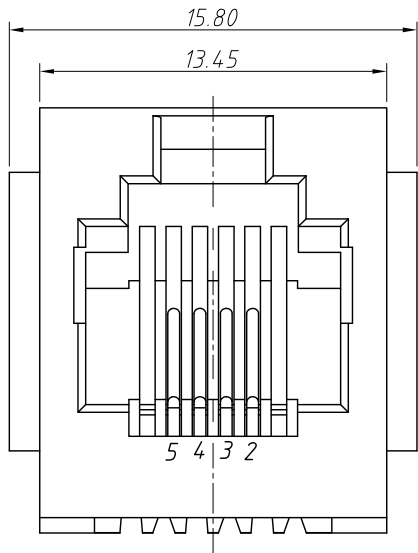
**Electrical:**

- Current Rating:1.5A
- Voltage Rating:125VAC
- Contact Resistance:30MΩ Max.
- Insulation Resistance:500MΩ Min @500VDC
- Withstanding Voltage:1000VAC 50Hz or 60Hz 1min
- Mating/Unmating Force:20N Max
- Retention Strength:50N Pendant 60±5s
- Operating Life:750 Cycles Min
- Storage:-40°C ~ +85°C Relative Humidity:<70%
- Operation:-40°C ~ +85°C

**Order Information**

L-KLS12-154-6P4C-W-S-1-01

- RoHS
- Point NO. 6P4C Point
- Panel:W-With Panel
- W/O-Without Panel
- Peg:L-L Peg S-Split Peg
- Part Color:1-Black 2-Gray
- Plating Code:
  - 01=Fu" Gold Plating 02=3u"Gold Plating
  - 03=6u"Gold Plating 04=15u"Gold Plating
  - 05=30u"Gold Plating



ANGLE TOLERANCE	PROJECTION	Description:	Modular jacks,RJ12-6P4C Jack,S type,with Panel,Black
±3°			
GENERAL TOLERANCE	UNITS	mm	KLS P/N:
.x ±0.25	SHEET SIZE	A4	L-KLS12-154-6P4C-X-X-X-XX
.xx ±0.20	Draw:	WuHao	2025-01-14
.xxx ±0.10	Check:	Daniel	2025-01-14



NingBo KLS ELECTRONIC CO.,L.TD.