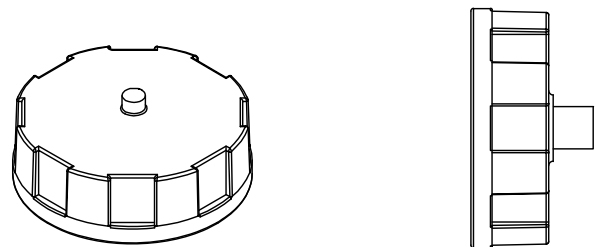


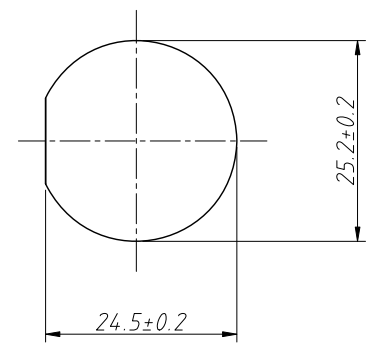
Material:  
 RJ45 Conntacts:Copper Alloy  
 Housing/Hex Nut:Thermoplastic  
 Gasket:Slincone,Black  
 PCB:RF-5  
 Pin Header Conntacts:Copper Alloy

Notes:  
 1. Waterproof rating:IP67 (connected state)  
 2. It is recommended to have a panel thickness of 0.8-6.0mm  
 3. Recommended torque 19-20kgf-cm



Wire Sequence Diagram:

|    |   |   |   |   |   |   |   |   |
|----|---|---|---|---|---|---|---|---|
| P1 | 1 | 2 | 3 | 4 | 5 | 6 | 7 | 8 |
| P2 | 1 | 2 | 3 | 4 | 5 | 6 | 7 | 8 |



Recommend Panel Cut-Out

|                   |            |              |   |
|-------------------|------------|--------------|---|
| ANGLE TOLERANCE   | PROJECTION | Description: | RJ45 Waterproof ethernet connectors, IP67,With 40CM cable |
| ±3°               |            |              |   |
| GENERAL TOLERANCE | UNITS      | mm           | KLS P/N: L-KLS15-WEC45-16-T1                              |
| x. ±0.2           | SHEET SIZE | A4           |   |
| x.x ±0.10         | Draw:      | WuHao        | 2024-09-20  |
| x.xx ±0.05        | Check:     | Daniel       | 2024-09-20  |

