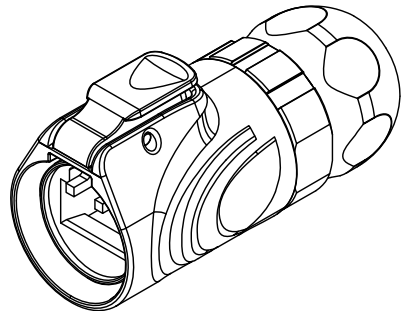
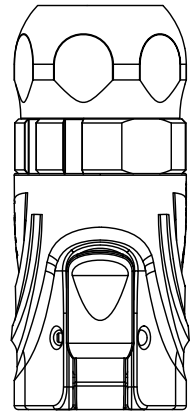


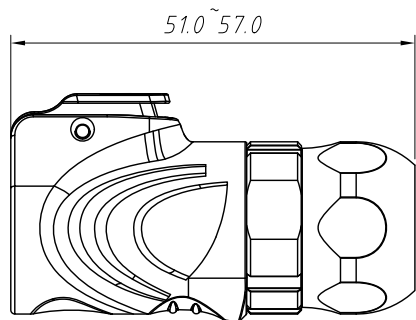
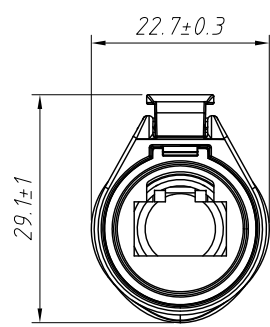
1
RoHS Compliance

6	7	8
REV	SYM	Revision Record
V0	KLS15032	New Version Release
		Appr. WuHao
		Date 2024-11-18



Material:
 Body: Zinc Alloy
 Contact: Phosphor bronze, gold plated
 Sealing: silica gel
 Housing Shell: PBT
 Nut: PBT

Electrical Characteristics:
 Rated current: 1.5A
 Rated voltage: AC 125V
 Dielectric withstanding voltage: AC 1000V
 Insulation Resistance: 500M Ω Min
 wire gauge OD: 5.0~7mm
 Protection class: IP67
 Operating Cycles: 500 times Min
 Tightening torque: 1.5N.m
 Operating temperature: -40 $^{\circ}$ C ~ +85 $^{\circ}$ C (Metal Shell)



ANGLE TOLERANCE	PROJECTION	Description:
$\pm 3^{\circ}$		RJ45 Waterproof Connectors, IP67
GENERAL TOLERANCE	UNITS	mm
x.x ± 0.30	SHEET SIZE	A4
x.xx ± 0.20	Draw:	WuHao 2024-11-18
x.xxx ± 0.10	Check:	Daniel 2024-11-18
		NingBo KLS ELECTRONIC CO.,L TD.