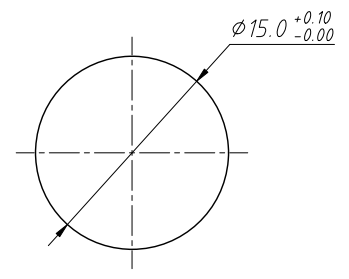
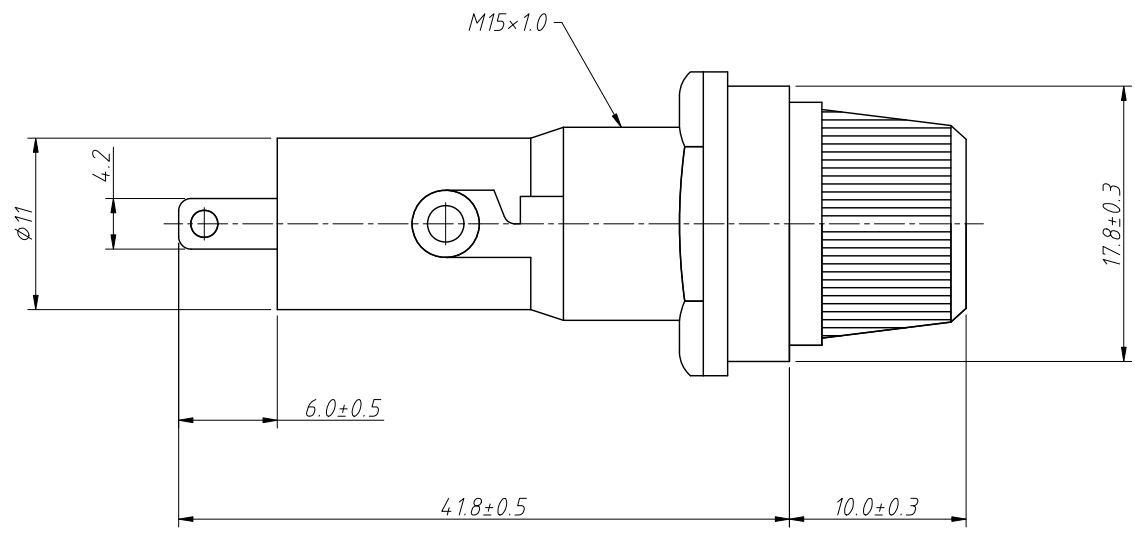


1
RoHS Compliance

6		7		8	
REV	SYM	Revision Record		Appr.	Date
V0	KLS05005	New Version Release		Song	2025-03-20

Notes:

- 1.Material
Housing:High temperature resisting flame-retarded plastic
Pin:Brass,Silver Plating
- 2.Rating :10A,250V AC
- 3.Suitable fuse:6.3X30mm



Mounting Hole

ANGLE TOLERANCE	PROJECTION		Description:		
±3°			Pane Mount Fuse Holder For Fuse		
GENERAL TOLERANCE	UNITS	mm	KLS P/N:	L-KLS5-255	
.x ±0.30	SHEET SIZE	A4			
.xx ±0.20	Draw:	Song	2025-03-20	NingBo KLS ELECTRONIC CO.,L TD.	
.xxx ±0.10	Check:	Daniel	2025-03-20		