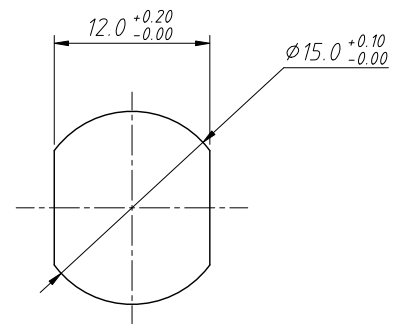
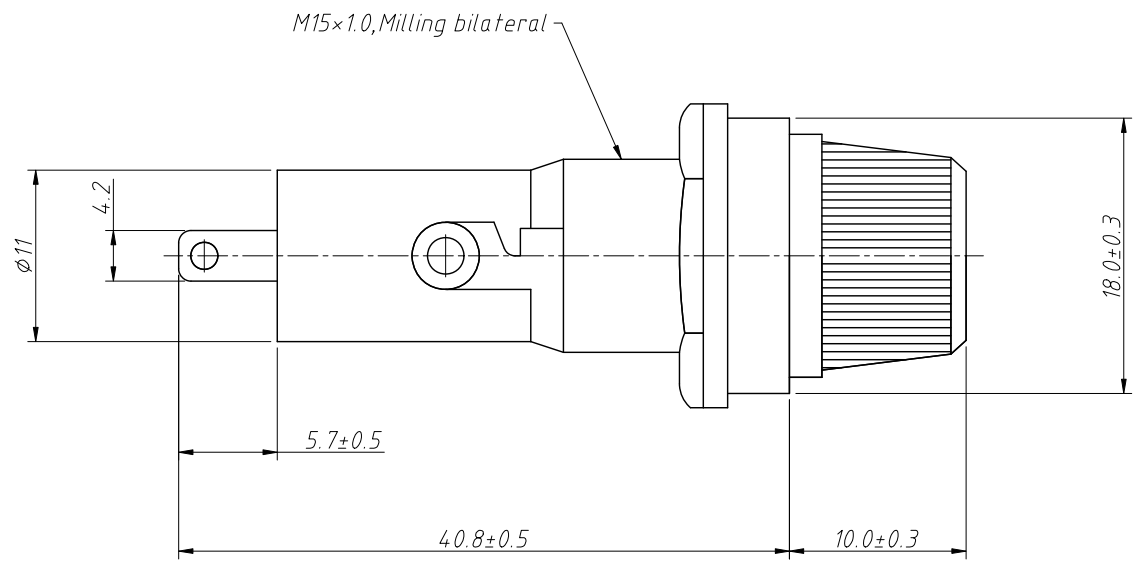


1
RoHS Compliance

6		7		8	
REV	SYM	Revision Record		Appr.	Date
V0	KLS05005	New Version Release		Song	2025-03-20

Notes:
 1. Material
 Housing: High temperature resisting flame-retarded plastic
 Pin: Brass, Silver Plating
 2. Rating : 10A, 250V AC
 3. Suitable fuse: 6.3X30mm



Mounting Hole

ANGLE TOLERANCE	PROJECTION	Description:			
±3°		Pane Mount Fuse Holder For Fuse			
GENERAL TOLERANCE	UNITS	mm	KLS P/N:	L-KLS5-255-2	
.x ±0.30	SHEET SIZE	A4			
.xx ±0.20	Draw:	Song	2025-03-20	NingBo KLS ELECTRONIC CO.,L TD.	
.xxx ±0.10	Check:	Daniel	2025-03-20		