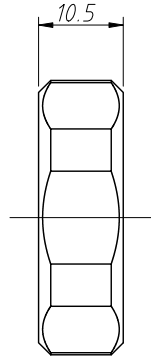
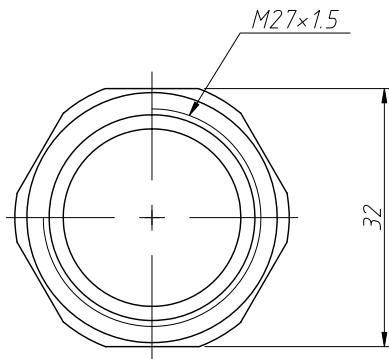
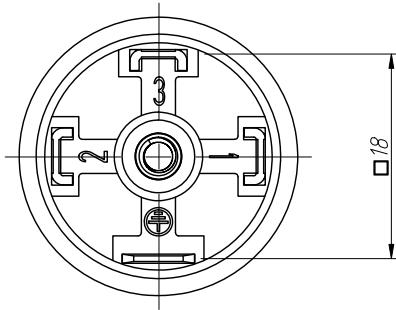
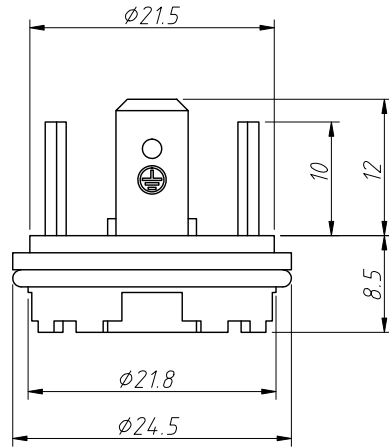


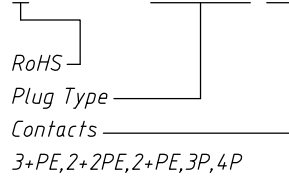
1
RoHS Compliance



Notes:
 Standard: DIN EN 175 301-803-A
 Ambient Temperature: -30°C ~ +125°C
 Termination: Soldering
 Pin Dimensions: 6.3x0.8mm, 4.8x0.8mm
 Housing Color: Black
 Housing Material: PA+GF
 Contact: Brass With
 Tin Plated Or Nickel Plated
 Central Nut: Brass With Nickel Plated
 Rated Voltage: 400V
 Rated Impulse voltage: 4000V
 Rated Current: 16A
 Insulation Resistance: ≥100MΩ
 Contact Resistance: ≤4mΩ
 IP Rating: IP65 in locked condition

Order Information

L-KLS15-SVCB02-2+PE



Contacts	3+PE	2+2PE	2+PE	3P	4P
Certification	cRU ^{us} ECBT2.E364453				
Pin layout (Male)					

ANGLE TOLERANCE	PROJECTION	Description:	Solenoïd Valve Valve Plug, Base Conn, Type A, Circular With Hexagonal Nut		
±3°					
GENERAL TOLERANCE	UNITS	mm	KLS P/N:	L-KLS15-SVCB02-2+PE	
x.x ±0.30	SHEET SIZE	A4	xx		
x.xx ±0.20	Draw:	Daniel	2023-06-27	NingBo KLS ELECTRONIC CO.,L TD.	
x.xxx ±0.10	Check:	Daniel	2023-06-27		