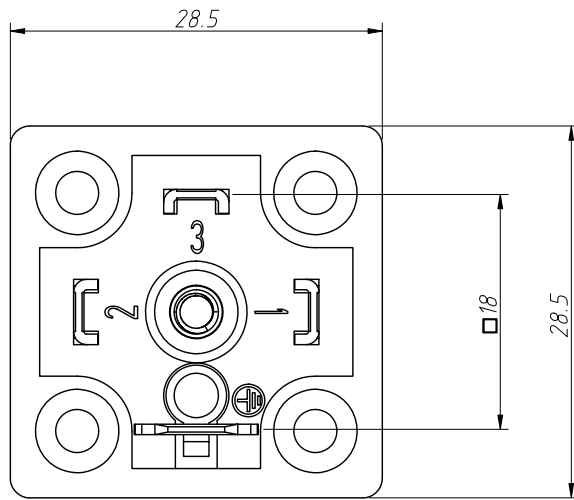
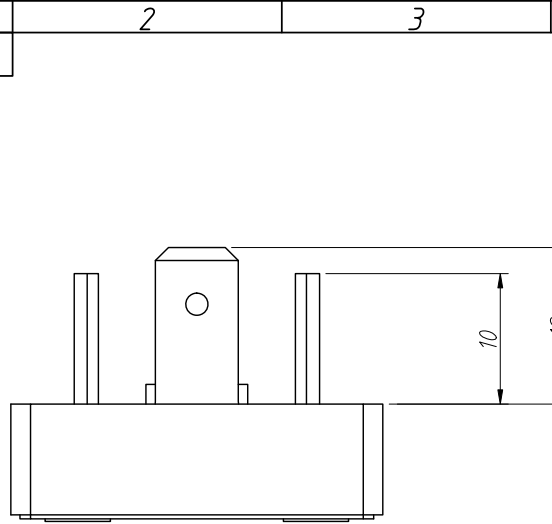


1
RoHS Compliance



Notes:
 Standard: DIN EN 175 301-803-A
 Ambient Temperature: -30°C ~ +125°C
 Termination: Soldering
 Pin Dimensions: 6.3x0.8mm, 4.8x0.8mm
 Housing Color: Black
 Housing Material: PA+GF
 Contact: Brass With
 Tin Plated Or Nickel Plated
 Central Nut: Brass With Nickel Plated
 Rated Voltage: 400V
 Rated Impulse voltage: 4000V
 Rated Current: 16A
 Insulation Resistance: ≥100MΩ
 Contact Resistance: ≤4mΩ
 IP Rating: IP65 in locked condition

Order Information
 L-KLS15-SVCB03-2+PE
 RoHS
 Plug Type
 Contacts
 3+PE, 2+2PE, 2+PE, 3P, 4P

| | | | | | |
|-------------------|------|-------|------|----|----|
| Contacts | 3+PE | 2+2PE | 2+PE | 3P | 4P |
| Certification | | | | | |
| Pin layout (Male) | | | | | |

| | | | |
|-------------------|------------|--------------|--|
| ANGLE TOLERANCE | PROJECTION | Description: | Solenoid Valve |
| ±3° | | | Valve Plug, Base Conn, Type A, Rectangular |
| GENERAL TOLERANCE | UNITS | mm | KLS P/N: |
| x.x ±0.30 | SHEET SIZE | A4 | xx |
| x.xx ±0.20 | Draw: | Daniel | 2023-06-27 |
| x.xxx ±0.10 | Check: | Daniel | 2023-06-27 |

