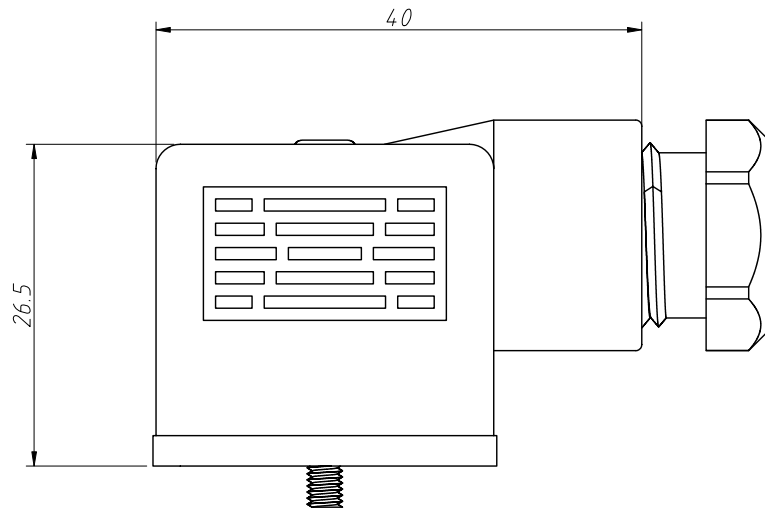
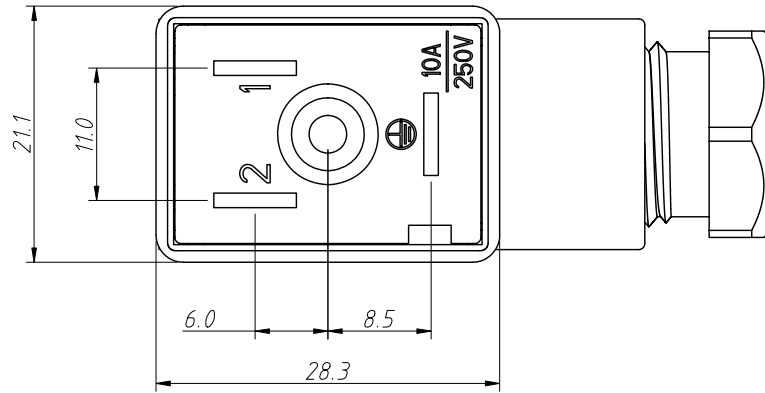


1  
RoHS Compliance

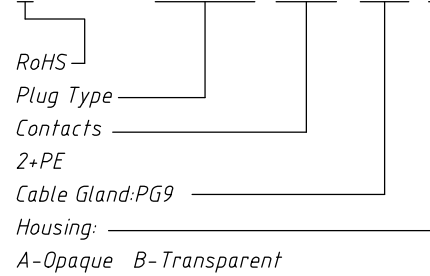



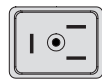
Notes:

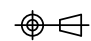
- Standard: Industrial Standard
- Ambient Temperature:  $-30^{\circ}\text{C} \sim +125^{\circ}\text{C}$
- Termination: Screw
- Pin Dimensions:  $6.3 \times 0.8\text{mm}$ ,  $4.8 \times 0.8\text{mm}$
- Connector overmold: Black
- Contact Bearer Material: PA+GF
- Housing Material: PA+GF
- Contact: PS with silver plated
- Screw: Steel with Zn plated
- Seal: FKM/NBR
- Gasket: NBR
- Rated Voltage: 250V
- Rated Impulse voltage: 4000V
- Rated Current: 10A
- Insulation Resistance:  $\geq 100\text{M}\Omega$
- Contact Resistance:  $\leq 4\text{m}\Omega$
- IP Rating: IP 65 in locked condition
- Cable Gland: PG9
- Suitable Cables (Dia):  $4.5 \sim 7.0\text{mm}$
- Conductor Size:  $1.5\text{mm}^2$  Max

Order Information

L-KLS15-SVCP04-2+PE-PG9-A



Contacts	2+PE
Certification	 ECBT2.E364453
Pin layout(Female)	

ANGLE TOLERANCE	PROJECTION	Description:	Solenoid Valve, Valve Plug, Type B, Female Field Wirable Assembly , PG9
$\pm 3^{\circ}$			
GENERAL TOLERANCE	UNITS	mm	KLS P/N:
x.x $\pm 0.30$	SHEET SIZE	A4	xx
x.xx $\pm 0.20$	Draw:	Daniel	2023-06-27
x.xxx $\pm 0.10$	Check:	Daniel	2023-06-27



NingBo KLS ELECTRONIC CO.,L TD.