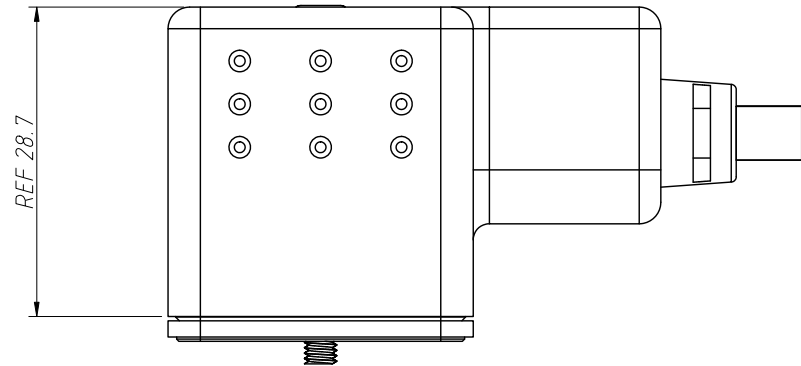
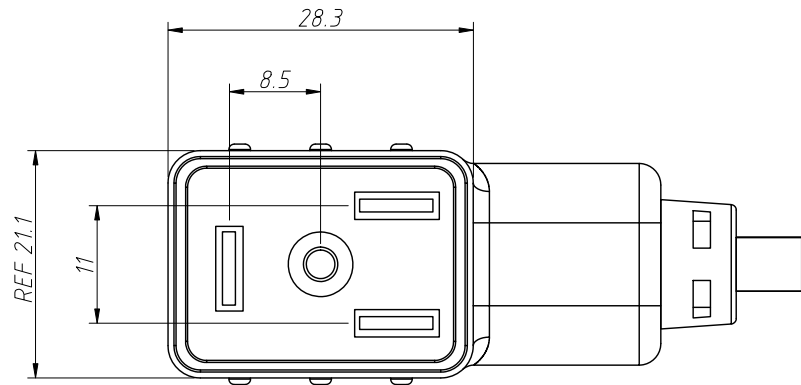
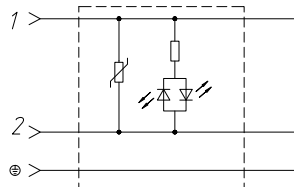


1
RoHS Compliance



Normal Circuit Diagram

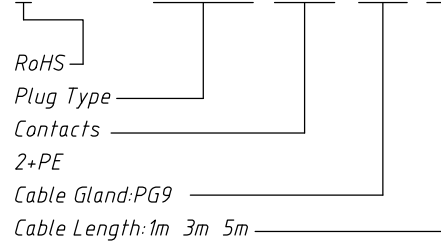


Notes:

- Standard: Industrial Standard
- Ambient Temperature:
 - Flexible Installation: $-25^{\circ}\text{C} \sim +85^{\circ}\text{C}$
 - Fixed Installation: $-40^{\circ}\text{C} \sim +85^{\circ}\text{C}$
- Termination: Soldering
- Pin Dimensions: 6.3x0.8mm, 4.8x0.8mm
- Connector Overmold: TPU
- Contact Bearer Material: PA+GF
- Housing Material: PC
- Contact: PS with Silver Plated
- Screw: Steel With Zn Plated
- Seal: FKM
- Gasket: TPU/NBR
- Rated Voltage: 24V/250V
- Rated Impulse Voltage: 800V/4000V
- Rated Current: 8A/10A
- Insulation Resistance: $\geq 100\text{M}\Omega$
- Contact Resistance: $\leq 4\text{m}\Omega$
- IP Rating: IP67 In Locked Condition
- Cable Type: PVC Or PUR Cable
- Conductor Size: 1.5mm² Max

Order Information

L-KLS15-SVCP05-2+PE-PG9-L1M



Contacts	2+PE
Pin layout(Female)	

ANGLE TOLERANCE	PROJECTION	Description:	Solenoid Valve, Valve Plug, Type B, Female Field Wirable Assembly , PG9
$\pm 3^{\circ}$			
GENERAL TOLERANCE	UNITS	mm	KLS P/N:
x.x ± 0.30	SHEET SIZE	A4	xx
x.xx ± 0.20	Draw:	Daniel	2023-06-27
x.xxx ± 0.10	Check:	Daniel	2023-06-27

NingBo KLS ELECTRONIC CO.,L TD.