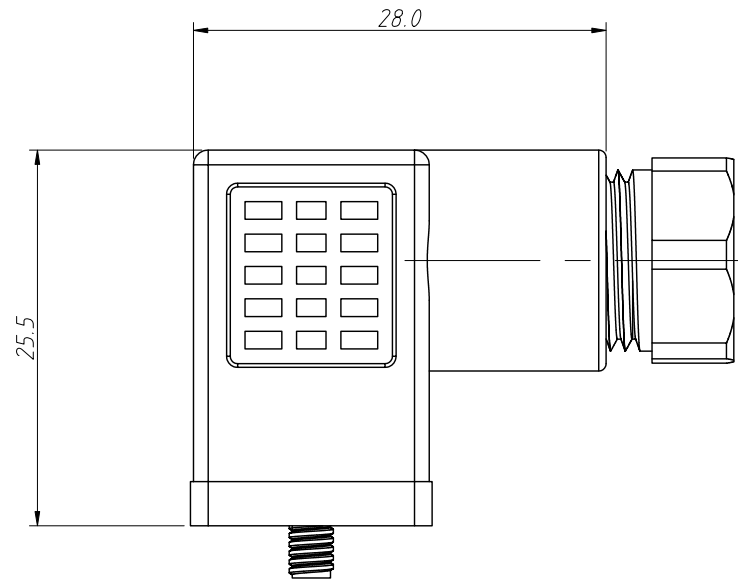
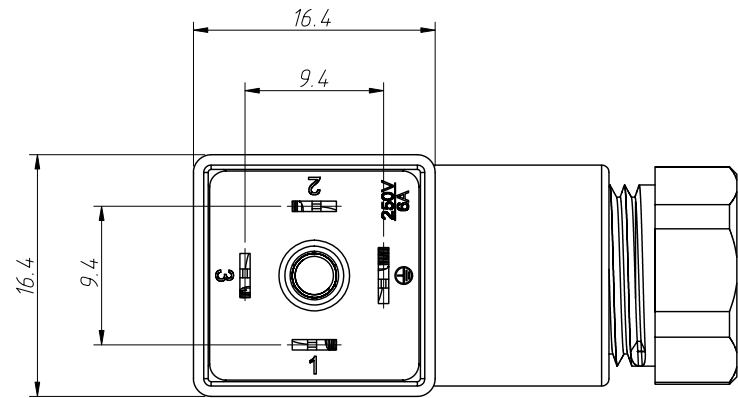


1
RoHS Compliance

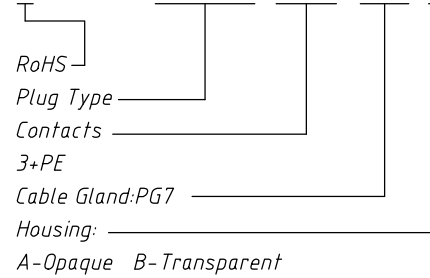


Notes:

- Standard: Industrial Standard
- Ambient Temperature: $-30^{\circ}\text{C} \sim +125^{\circ}\text{C}$
- Termination: Screw
- Pin Dimensions: $4.6 \times 0.5\text{mm}$, $3.8 \times 0.5\text{mm}$
- Connector overmold: Black
- Contact Bearer Material: PA+GF
- Housing Material: PA+GF
- Contact: PS with silver plated
- Screw: Steel with Zn plated
- Seal: FKM/NBR
- Gasket: NBR
- Rated Voltage: 250V
- Rated Impulse voltage: 800V
- Rated Current: 6A
- Insulation Resistance: $\geq 100\text{M}\Omega$
- Contact Resistance: $\leq 4\text{m}\Omega$
- IP Rating: IP 65 in locked condition
- Cable Gland: PG7
- Suitable Cables (Dia): $4.0 \sim 6.0\text{mm}$
- Conductor Size: 0.5mm^2 Max

Order Information

L-KLS15-SVCP06-3+PE-PG7-A



Contacts	3+PE
Pin layout(Female)	

ANGLE TOLERANCE	PROJECTION	Description:	Solenoid Valve, Valve Plug, Type C, Female Field Wirable Assembly , PG7
$\pm 3^{\circ}$			
GENERAL TOLERANCE	UNITS	mm	L-KLS15-SVCP06-3+PE-PG7-A
x.x ± 0.30	SHEET SIZE	A4	
x.xx ± 0.20	Draw:	Daniel	2023-06-27
x.xxx ± 0.10	Check:	Daniel	2023-06-27



NingBo KLS ELECTRONIC CO.,L TD.