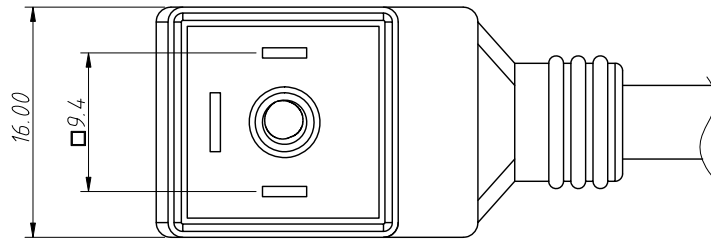
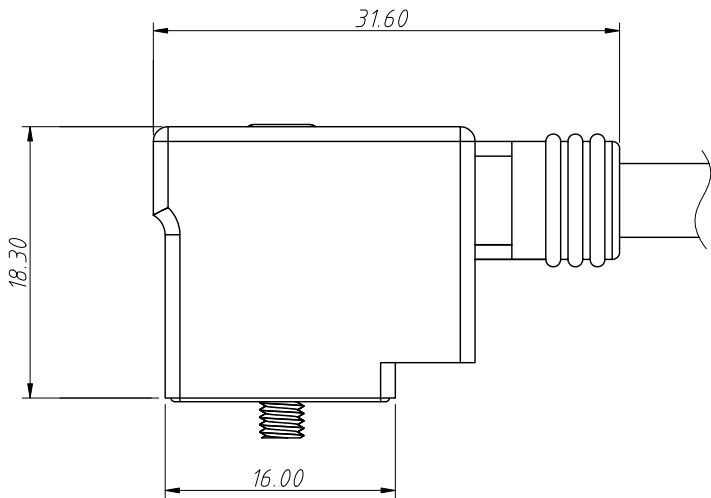


1
RoHS Compliance

A
B
C
D
E
F
G
H



Notes:

Standard: Industrial standard

Ambient Temperature:

Flexible Installation: $-25^{\circ}\text{C} \sim +85^{\circ}\text{C}$

Fixed Installation: $-40^{\circ}\text{C} \sim +85^{\circ}\text{C}$

Termination: Soldering

Pin Dimensions: $2.8 \times 0.5\text{mm}$, $3.6 \times 0.5\text{mm}$

Connector Overmold: TPU

Contact Bearer Material: PA+GF

Housing Material: PC

Contact: PS with Silver Plated

Screw: Steel With Zn Plated

Seal: FKM

Gasket: TPU/NBR

Rated Voltage: 250V

Rated Impulse Voltage: 800V

Rated Current: 6A

Insulation Resistance: $\geq 100\text{M}\Omega$

Contact Resistance: $\leq 4\text{m}\Omega$

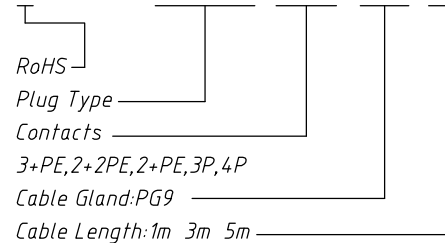
IP Rating: IP67 In Locked Condition

Cable Type: PVC Or PUR Cable

Conductor Size: 0.5mm^2 Max

Order Information

L-KLS15-SVCP07-2+PE-PG9-L1M



Contacts	3+PE	2+2PE	2+PE	3P	4P
Certification					
Pin layout(Female)					

ANGLE TOLERANCE	PROJECTION	Description:	Solenoid Valve, Valve Plug, Type C, Female Field Wirable Assembly
$\pm 3^{\circ}$			
GENERAL TOLERANCE	UNITS	mm	KLS P/N: L-KLS15-SVCP07-2+PE-PG9-L1M
x.x ± 0.30	SHEET SIZE	A4	xx
x.xx ± 0.20	Draw:	Daniel	2023-06-27
x.xxx ± 0.10	Check:	Daniel	2023-06-27



NingBo KLS ELECTRONIC CO.,L TD.

1 2 3 4 5 6 7 8