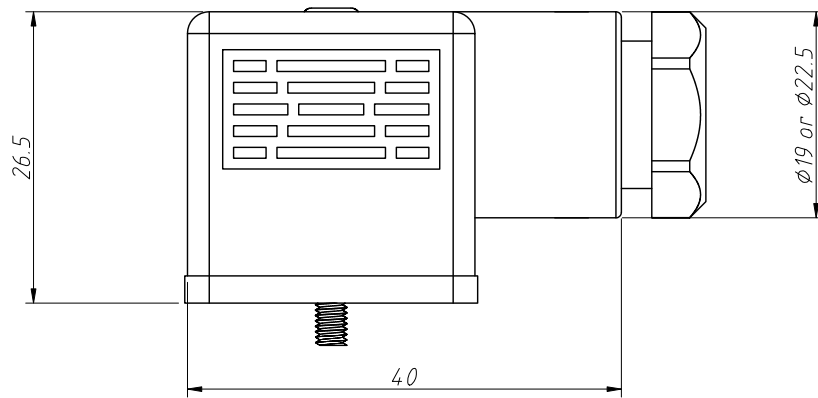
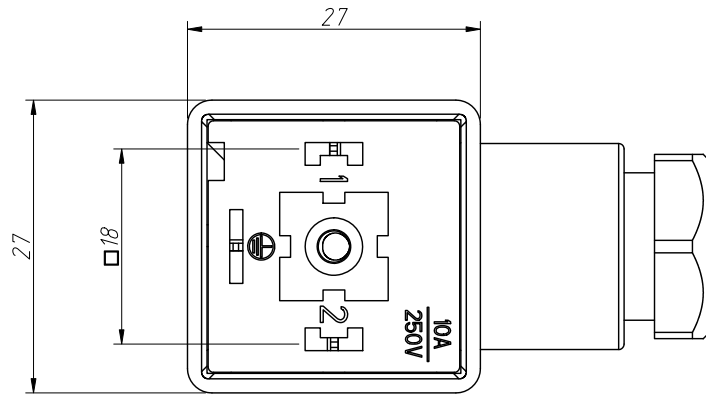


1
RoHS Compliance

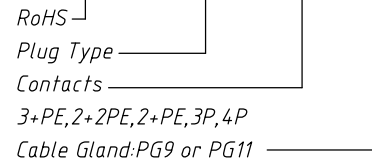


Notes:

- Standard: DIN EN 175 301-803-A
- Ambient Temperature: -25°C ~ +90°C
- Termination: Screw
- Pin Dimensions: 6.3x0.8mm, 4.8x0.8mm
- Housing Color: Transparent
- Contact Bearer Material: PA+GF
- Housing Material: PC
- Contact: PS with silver plated
- Screw: Steel with Zn plated
- Seal: FKM/NBR
- Gasket: NBR
- Rated Voltage: 24V
- Rated Impulse voltage: 800V
- Rated Current: 8A
- Insulation Resistance: $\geq 100M\Omega$
- Contact Resistance: $\leq 4m\Omega$
- IP Rating: IP 65 in locked condition
- Cable Gland: PG9 / PG11
- Suitable Cables (Dia): 4.5 ~ 6.0mm / 6.0 ~ 9.0mm
- Conductor Size: 1.5mm² Max

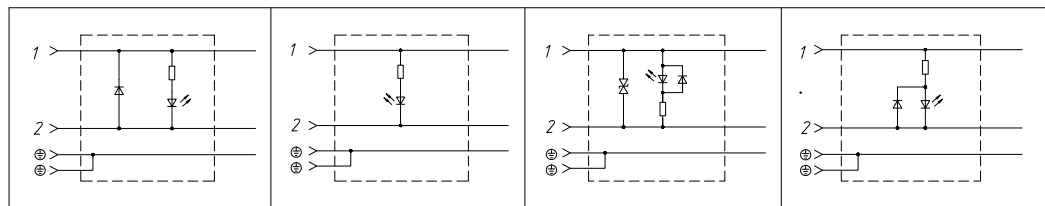
Order Information

L-KLS15-SVCP02-2+PE-PG9



Contacts	3+PE	2+2PE	2+PE	3P	4P
Certification	ECBT2.E364453				
Pin layout (Female)					

Normal Circuit Diagram



ANGLE TOLERANCE	PROJECTION	Description:	Solenoid Valve, Valve Plug, Type A, Female Field Wirable Assembly, PG9 / PG11
$\pm 3^\circ$			
GENERAL TOLERANCE	UNITS	mm	KLS P/N:
x.x ± 0.30	SHEET SIZE	A4	xx
x.xx ± 0.20	Draw:	Daniel	2023-06-27
x.xxx ± 0.10	Check:	Daniel	2023-06-27

NingBo KLS ELECTRONIC CO., L TD.