

1
RoHS Compliance

2

3

4

5

6

7

8

A

B

C

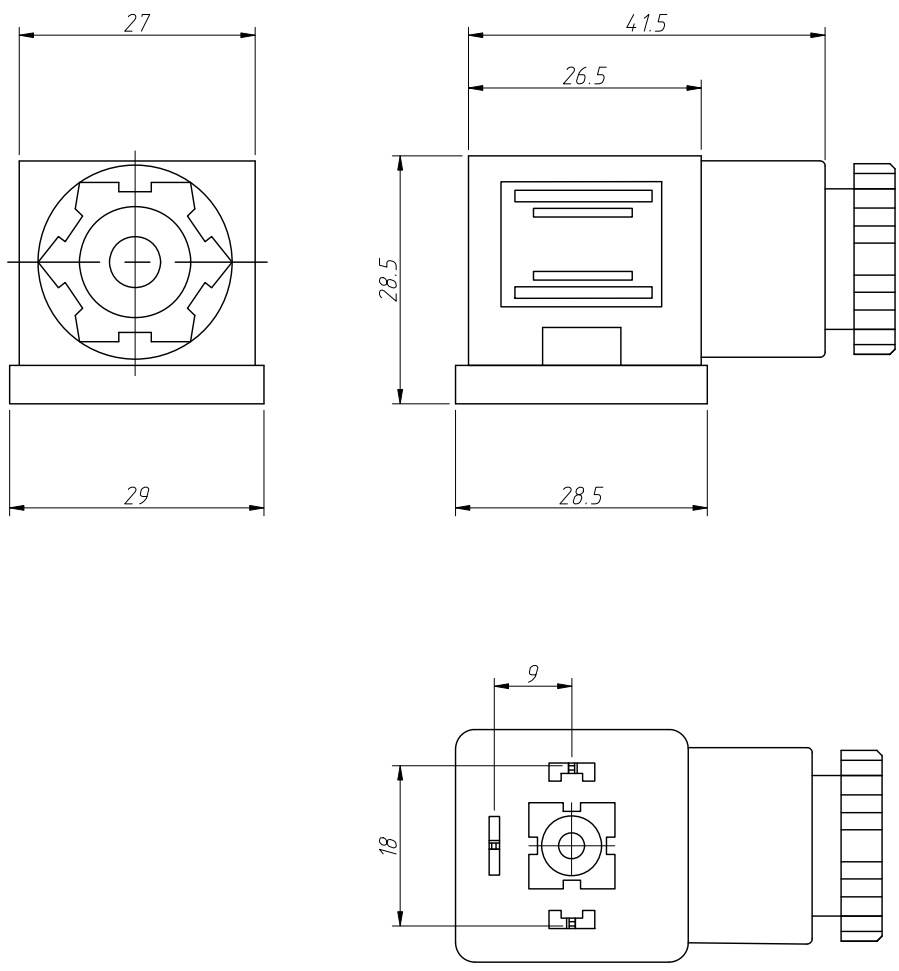
D

E

F

G

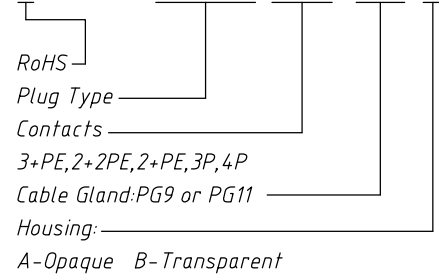
H



Notes:
 Standard: DIN EN 175 301-803-A
 Ambient Temperature: -30°C ~ +125°C
 Termination: Screw
 Pin Dimensions: 6.3x0.8mm, 4.8x0.8mm
 Housing Color: Black
 Contact Bearer Material: PA+GF
 Housing Material: PA
 Contact: PS With Silver Plated
 Screw: Steel With Zn Plated
 Sea: FKM/NBR
 Gasket: NBR
 Rated Voltage: 250V
 Rated Impulse voltage: 4000V
 Rated Current: 10A
 Insulation Resistance: ≥100MΩ
 Contact Resistance: ≤4mΩ
 IP Rating: IP 65 in locked condition
 Cable Gland: PG9 / PG11
 Suitable Cables (Dia): 4.5 ~ 6.0mm / 6.0 ~ 9.0mm
 Conductor Size: 1.5mm² Max

Order Information

L-KLS15-SVCP01-2+PE-PG9-B



Contacts	3+PE	2+2PE	2+PE	3P	4P
Certification	cRU ^{us} ECBT2.E364453				
Pin layout (Female)					

ANGLE TOLERANCE	PROJECTION	Description:	Solenoid Valve, Valve Plug, Type A, Female Field Wirable Assembly, PG9 / PG11
±3°			
GENERAL TOLERANCE	UNITS	mm	KLS P/N:
x.x ±0.30	SHEET SIZE	A4	xx
x.xx ±0.20	Draw:	Daniel	2023-06-27
x.xxx ±0.10	Check:	Daniel	2023-06-27

