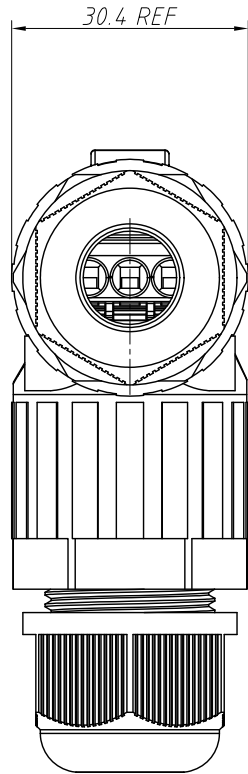
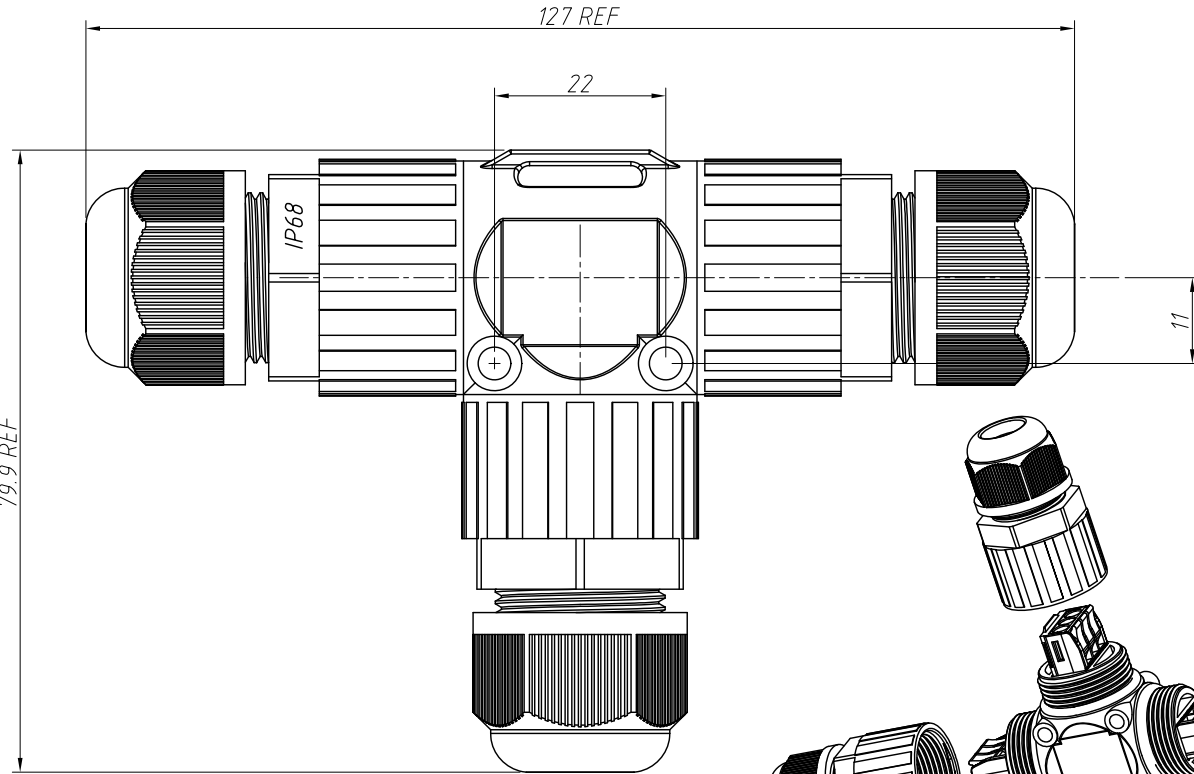


1 RoHS Compliance

REV	SYM	Revision Record	Appr.	Date
V0	KLS15036	New Version Release	WuHao	2025-03-18



30.4 REF

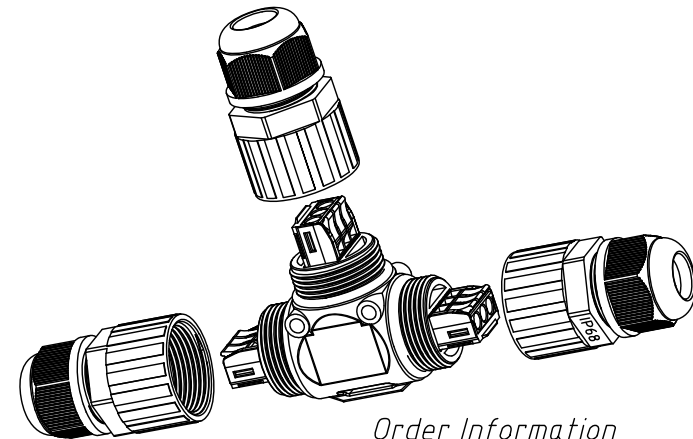


127 REF

22

79.9 REF

11



Material:

Housing: High Performance Plastic, Flame Retardant
Contact: Copper Alloy, Nickel Plated

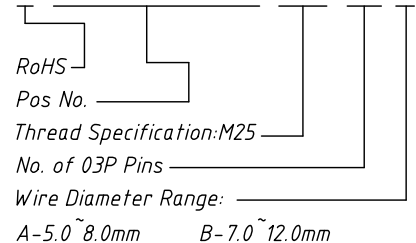
Electric:

Rated Current: 16A
Rated Voltage: 300V
Voltage Endurance: 3000V
Wire Diameter: 0.5-2.5mm²
Temperature Range: -40°C ~ +125°C
Protection Level: IP68
Pollution Degree: 3
Termination: Latch Spring

Part Number	For Cable OD φD1 (mm)	Torque (Kgf.cm)	Damage Torque (Kgf.cm)
L-KLS15-WEC08A-M25-03-A	5.0 ~ 8.0	10.0 ~ 12.0	15.0
L-KLS15-WEC08A-M25-03-B	7.0 ~ 12.0		

Order Information

L-KLS15-WEC08A-M25-03-A



ANGLE TOLERANCE	PROJECTION	Description:
±3°		M25 Waterproof Connector
GENERAL TOLERANCE	UNITS	mm
.x ±0.30	SHEET SIZE	A4
.xx ±0.20	Draw:	WuHao 2025-03-18
.xxx ±0.10	Check:	Daniel 2025-03-18



NingBo KLS ELECTRONIC CO.,LTD.