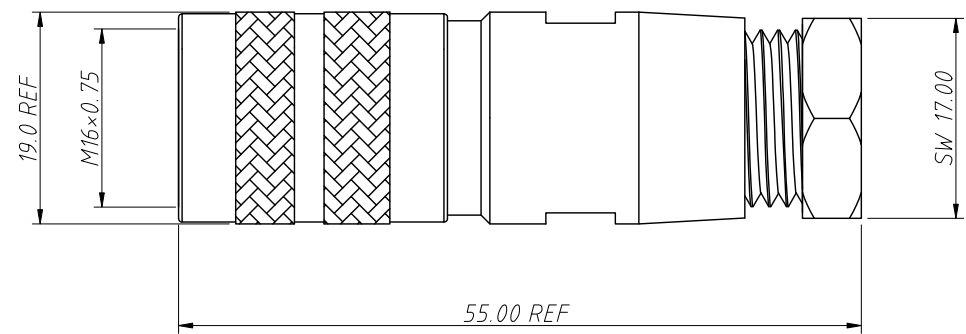
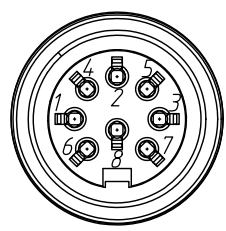


1
RoHS Compliance

6	7	8
REV	SYM	Revision Record
V0	KLS15022	New Version Release
		Appr. Song
		Date 2024-11-22



Pin	Contacts	Rated voltage		Rated Current	Contact Resistance	Cable OD mm
		A/C	A/C			
102		100V	100V	5A	5mΩ	5 ~ 7.5mm
103		100V	100V	5A	5mΩ	5 ~ 7.5mm
104		100V	100V	5A	5mΩ	5 ~ 7.5mm
105 105DIN		63V	32V	5A	5mΩ	5 ~ 7.5mm
106		63V	63V	5A	5mΩ	5 ~ 7.5mm
107 107DIN		63V	63V	5A	5mΩ	5 ~ 7.5mm
108		32V	32V	5A	5mΩ	5 ~ 7.5mm

Material:
Contact Pin:Brass,Gold Plating
Coupling Nut/Screw:Brass,Nickel Plated
Insulation Plastic:PA66+GF,UL 94 V-0

Electric:
Rating:See Table(IEC)
Contact Resistance:5mΩ Max
Insulation Resistance:100MΩ Min
Life:500 Cycles Min
Operating Temperature:-25°C ~ +85°C
Waterproof:IP67

ANGLE TOLERANCE	PROJECTION	Description:	
±3°		M16 Assembly Connector	
GENERAL TOLERANCE	UNITS	mm	KLS P/N:
.x ±0.30	SHEET SIZE	A4	L-KLS15-253-P10X
.xx ±0.20	Draw:	Song	2024-11-22
.xxx ±0.10	Check:	Daniel	2024-11-22

