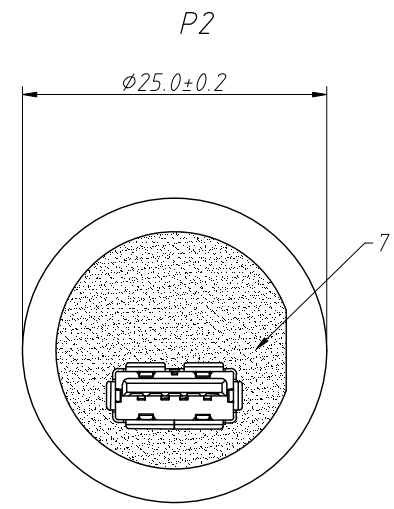
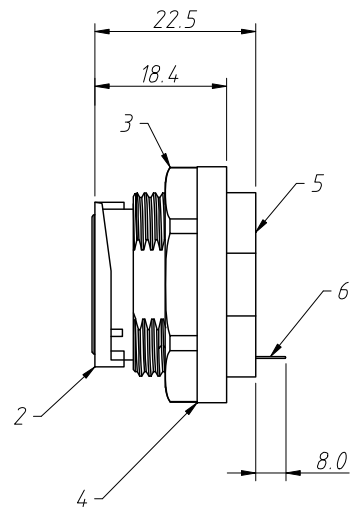
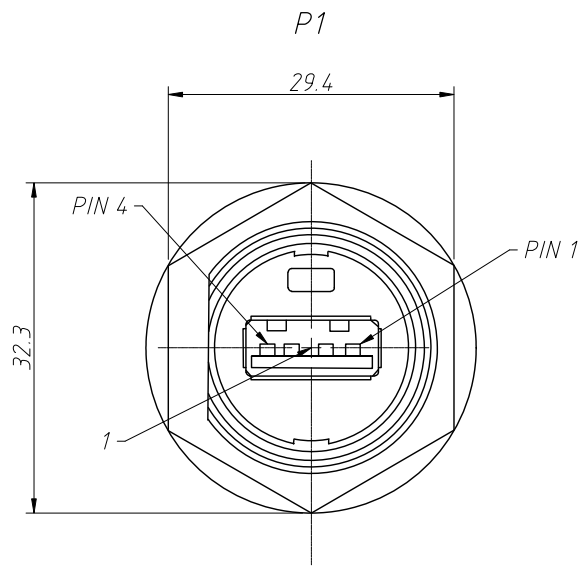


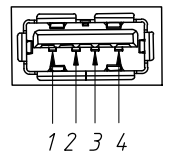
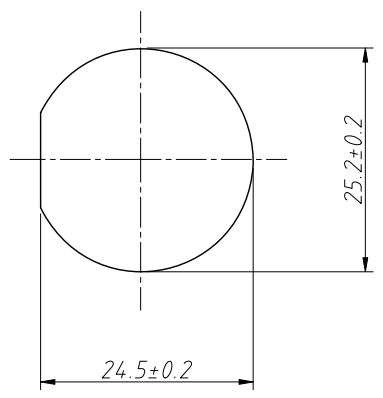
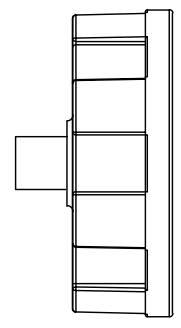
1 RoHS Compliance

REV	SYM	Revision Record	Appr.	Date
V0	KLS15032	New Version Release	Song	2024-10-29

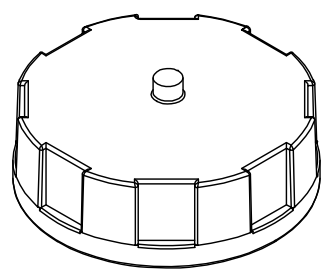


- Material:
- 1.USB-A Receptacle:Copper Alloy
  - 2.Housing:Thermoplastic
  - 3.Hex Nut:Thermoplastic
  - 4.Gasket:Slincone,Black
  - 5.PCB:RF-5
  - 6.Pin Header:Copper Alloy
  - 7.Glue:Glue,Black

- Notes:
- 1. Waterproof Rating:IP67 (connected state)
  - 2.Recommended PCB Thickness:0.8~6.0mm
  - 3.Recommended Torque:19~20kgf-cm



P1	Wring Diogran	P2
1	Red	1
2	White	2
3	Green	3
4	Black	4
Shell	Drain	Shell



Recommend Panel Cut-Out

ANGLE TOLERANCE	PROJECTION	Description:	Waterproof USB 2.0 Connector IP67
$\pm 3^\circ$			
GENERAL TOLERANCE	UNITS	mm	L-KLS12-WUSB2.0-07-S1
x. $\pm 0.20$	SHEET SIZE	A4	
x.x $\pm 0.10$	Draw:	Song	NingBo KLS ELECTRONIC CO.,L TD.
x.xx $\pm 0.05$	Check:	Daniel	

