

Product Specification

Number: L-KLS1-RCA-402-G-WH-WH
-RE-RE

Name: RCA Jack Connector

Customer: _____

Date: 2025-03-18

Customer Signature:



NINGBO KLS ELECTRONIC CO; LTD

Tel : 0086-574-86828566

Fax : 0086-574-86824882

ADD : NO. 8-1, RONGXIA RD. XIAPU SHANQIAN
INDUSTRIAL ZONE BEILUN NINGBO ZHEJIANG.

Compi	Check	Review	Approva
Jenny	Jack.C		

Part name	RCA Jack Connector	Date	2025-03-18
Part number	L-KLS1-RCA-402-G-WH-WH-RE-RE	Edition	V1
Department		Page	2 / 2

Materials:

Barrel : Brass

Top Terminal : Brass

Bottom Terminal : Brass

Top Cover : ABS UL94V~0

Insert Ring : PBT UL94V~0

Housing : PBT UL94V~0



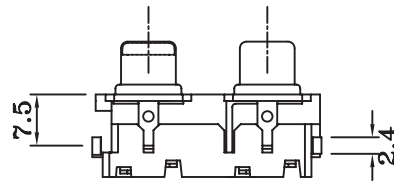
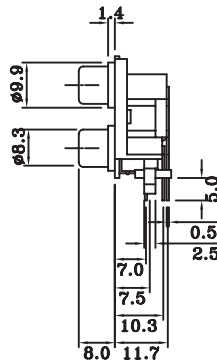
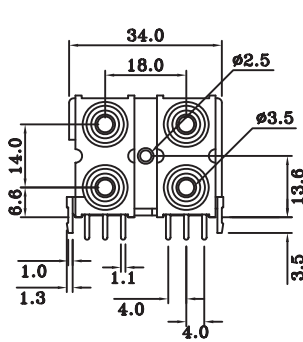
Electrical Specification:

Contact resistance : 30mΩ Max

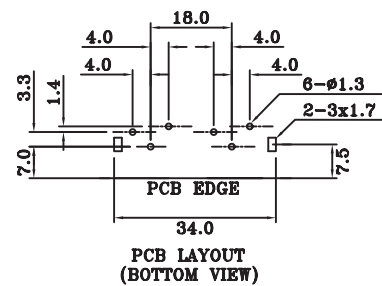
Insulation resistance : 50MΩ Min at DC 500V

Withstand voltage : AC 500V(50Hz) 1min

Operating Temperature : -25°C~+85°C



MODEL NO.	RCA-402	
SCHEMATIC	TOP	BOTTOM



ORDER INFORMATION

Product NO.: KLS1-RCA-402-G-WH-WH-RE-RE

Pos. NO. _____

RCA Jack Type _____

Plating: _____

G-Gold Plating

Sn-Tin plating

Color :

WH-WH-RE-RE : White-White-Red-Red

RE-RE-WH-WH : Red-Red-White-White

WH-BK-RE-YE : White-Black-Red-Yellow

OR-WH-YL-RE : Orange-White-Yellow-Red