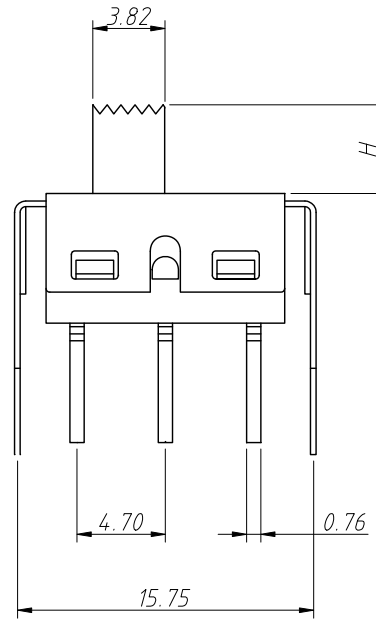
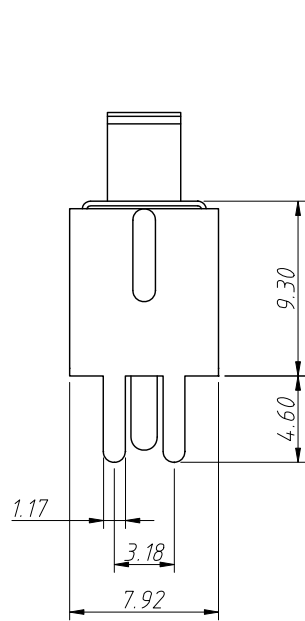


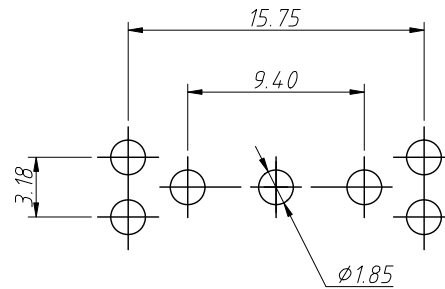
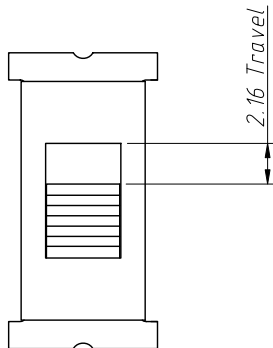
1 RoHS Compliance

6		7		8	
REV	SYM	Revision Record		Appr.	Date
V0	KLS07059	New Version Release		Song	2024-12-09



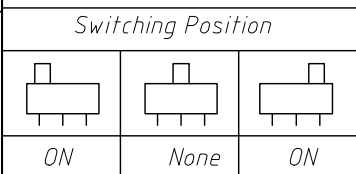
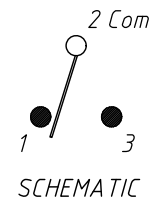
Material:  
 Terminals: Copper Alloy  
 Shell: Stainless Steel  
 Contact: Copper Alloy  
 Actuator: Nylon, Black

Specification  
 Electrical: Contact Resistance: 10mΩ Max  
 Insulation Resistance: 1000MΩ  
 Dielectric Withstand: No discharge, flashover or breakdown at 1500VAC 1Minute  
 Mechanical Life: 30000 Cycles  
 Operation Temperature: -30°C ~ +85°C



Recommended PCB Layout  
 Tolerance: ±0.05mm

ITEM	H
G3.1	3.10
G4.7	4.72
G6.9	6.96
G8.9	8.96
G11.9	11.92



ANGLE TOLERANCE		PROJECTION		Description:	
±3°				Slide Switch	
GENERAL TOLERANCE		UNITS	mm	KLS P/N:	
0~1	±0.10	SHEET SIZE	A4	L-KLS7-SS01-12E07A-GXX	
1~4	±0.20	Draw:	Song	2024-12-09	
4~16	±0.30	Check:	Daniel	2024-12-09	

NingBo KLS ELECTRONIC CO.,LTD.