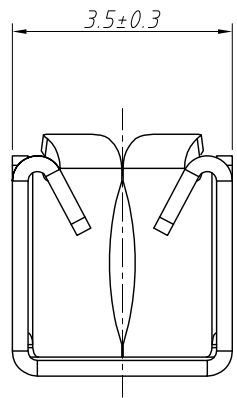
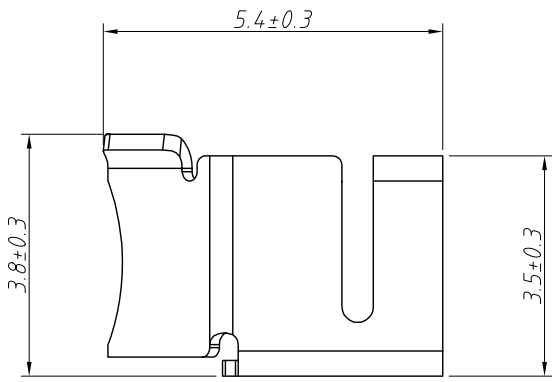


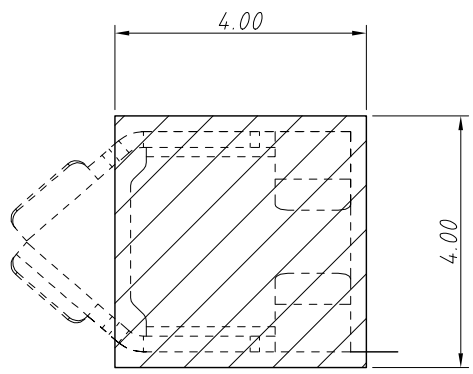
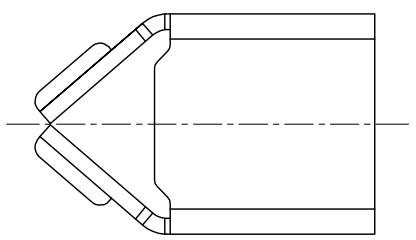
1
RoHS Compliance

6	7	8
REV	SYM	Revision Record
V0	KLS02056	New Version Release
		Appr.
		WuHao
		Date
		2024-11-26

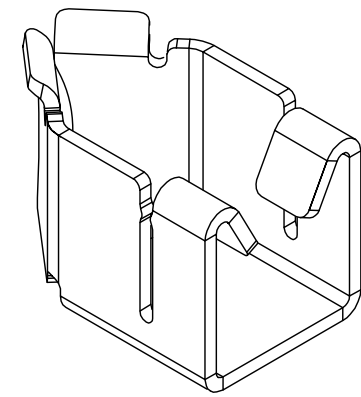


Material:
Contacts: Phosphor Bronze/Matte, Sn-Plated

Electric:
Contact Resistance: 20mΩ Max
Rated Voltage: 250V AC DC
Rated Current: 1.0A AC DC
Temperature Range: -45°C ~ +125°C
Thickness: 1.0 mm
Wire Range: 18 ~ 20 AWG
Cable Diameter: φ2.8 ~ φ2.1 mm



Board Layout



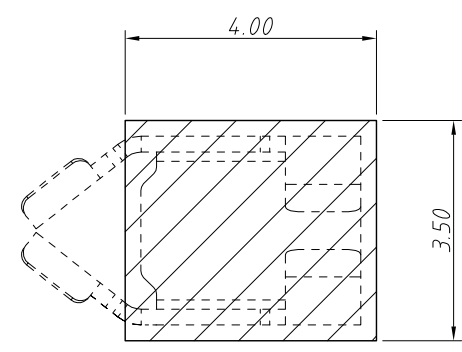
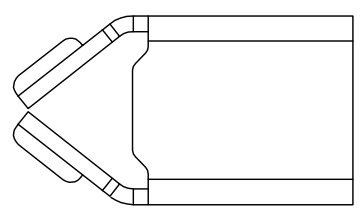
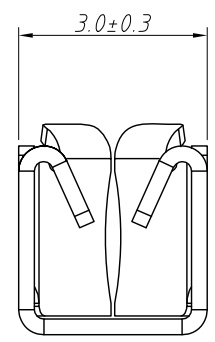
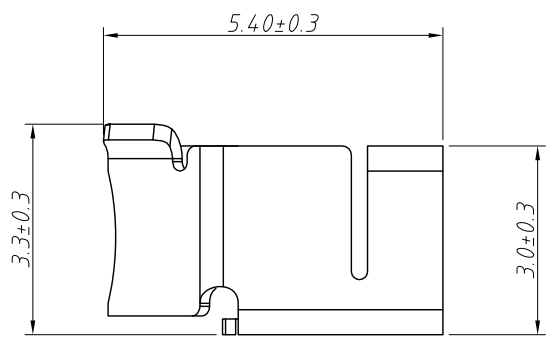
ANGLE TOLERANCE	PROJECTION	Description:
±3°		Poke-in connectors
GENERAL TOLERANCE	UNITS	mm
x. ±0.50	SHEET SIZE	A4
.x ±0.30	Draw:	WuHao 2024-11-26
.xx ±0.20	Check:	Daniel 2024-11-26
		KLS P/N: L-KLS2-L131A
		NingBo KLS ELECTRONIC CO.,LTD.

1
RoHS Compliance

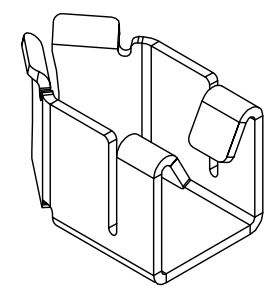
6	7	8
REV	SYM	Revision Record
V0	KLS02056	New Version Release
		Appr.
		WuHao
		Date
		2024-11-26

Material:
Contacts: Phosphor Bronze/Matte, Sn-Plated

Electric:
Contact Resistance: 20mΩ Max
Rated Voltage: 250V AC DC
Rated Current: 1.0A AC DC
Temperature Range: -40°C ~ +125°C
Thickness: 1.0 mm
Wire Range: 22 ~ 24 AWG
Cable Diameter: φ1.8 ~ φ1.4 mm



Board Layout



ANGLE TOLERANCE	PROJECTION	Description:
±3°		Poke-in connectors
GENERAL TOLERANCE	UNITS	mm
x. ±0.50	SHEET SIZE	A4
.x ±0.30	Draw:	WuHao 2024-11-26
.xx ±0.20	Check:	Daniel 2024-11-26
		KLS P/N: L-KLS2-L131B
		NingBo KLS ELECTRONIC CO.,LTD.