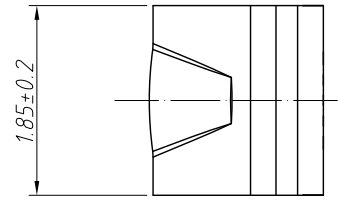
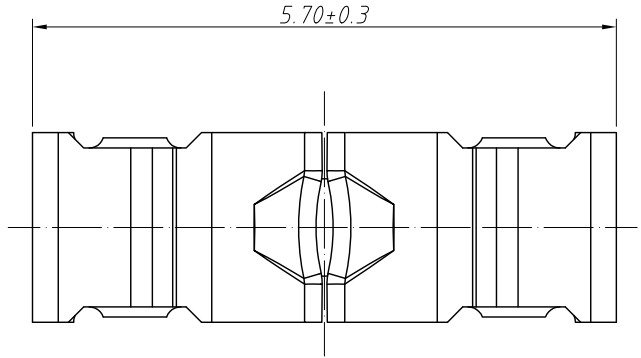


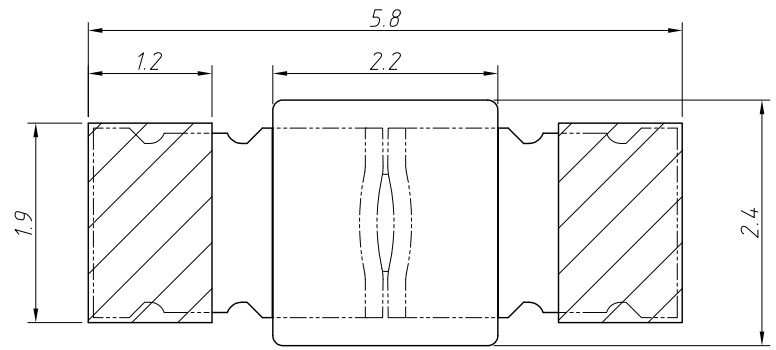
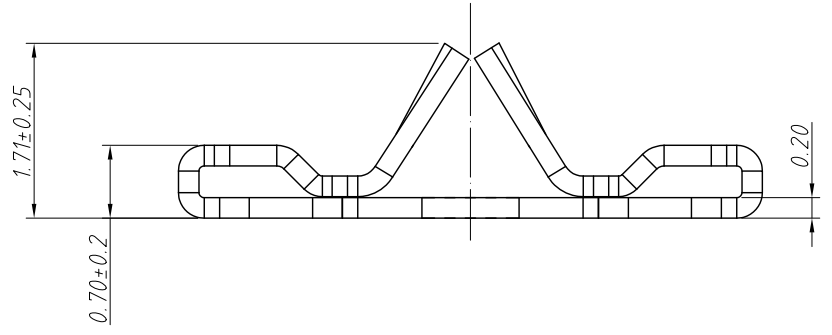
1
RoHS Compliance

6	7	8
REV	SYM	Revision Record
V0	KLS02056	New Version Release
		Appr.
		WuHao
		Date
		2024-11-26

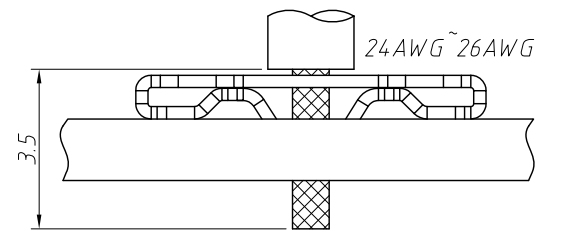
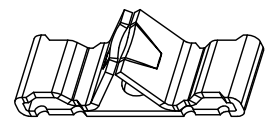
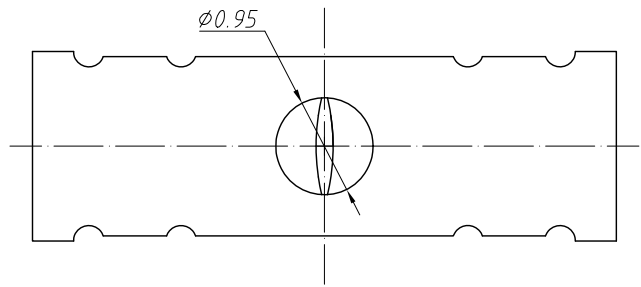


Material:
Contacts: Phosphor Bronze/Matte, Sn-Plated

Electric:
Contact Resistance: 30mΩ Max
Rated Voltage: 275V AC DC
Rated Current: 1.0A AC DC
Temperature Range: -40°C ~ +125°C



Recommended PCB Layout
Tolerance: ±0.05mm



ANGLE TOLERANCE	PROJECTION	Description:
±3°		Poke-in connectors
GENERAL TOLERANCE	UNITS	KLS P/N:
x. ±0.50	mm	L-KLS2-L130
.x ±0.30	SHEET SIZE	NingBo KLS ELECTRONIC CO.,L.TD.
.xx ±0.20	A4	
	Draw:	WuHao 2024-11-26
	Check:	Daniel 2024-11-26