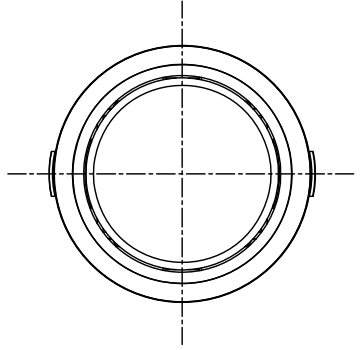


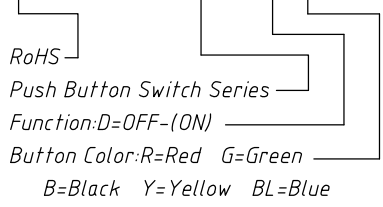
1
RoHS Compliance

7		8	
REV	SYM	Revision Record	Appr.
V0	KLS07069	New Version Release	Song
			Date
			2024-12-20



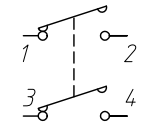
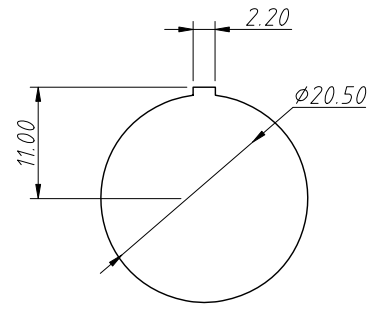
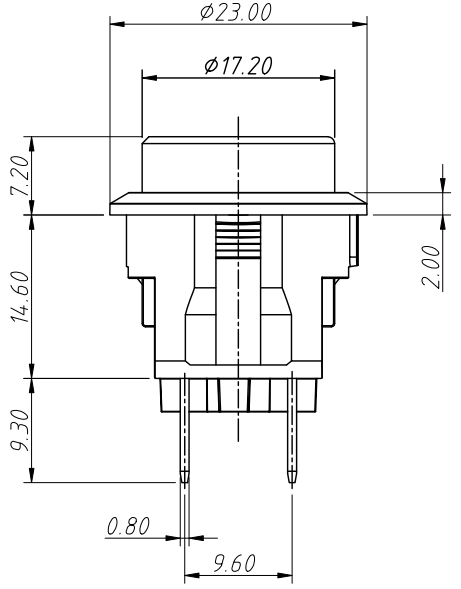
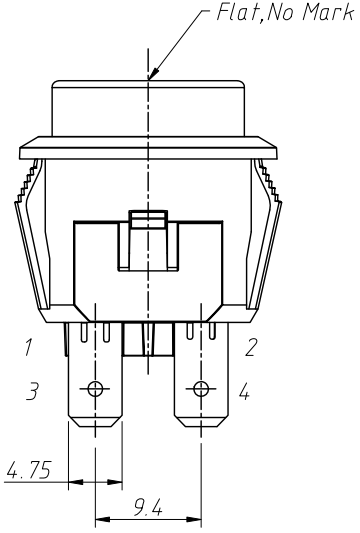
Order Information

L-KLS7-PBS-048 D-B



Material:
Button:ABS
Housing:Flame retardant PA66 ,Black
Base: PC

Electric:
Rating:UL:16A 125VAC/250VAC
VDE:10(4)A250VAC
Contact Resistance:20mΩ(initial) Max
Insulation Resistance:
1000MΩ Min(500DC between open contacts)
Dielectric Strength:1500V 1 minute
Mechanical Life:30000 Cycles Min
Electrical Life:6000 Cycles Min
Temperature Rise At The Terminal : 30°C Max
Solder Ability Of Terminal:Max350°C,3S(no pressure may be placed in the terminals when soldering by hand)
Any Cd Pb Hg etc and It's compounds is not include
In this product
Ambient Temperature: T105/55
Ambient humidity: Max.85%
Degree of protection:IP20
Applicability For appliance of class:class II
Proof tracking resistance index(PTI):175
Degree of pollution: normal
Operating force:900±150g



CIRCUIT DPST: Momentary

ANGLE TOLERANCE	PROJECTION	Description:	Push Button Switch	
±3°				
GENERAL TOLERANCE	UNITS	mm	KLS P/N:	L-KLS7-PBS-048D-X
.x ±0.30	SHEET SIZE	A4		
.xx ±0.20	Draw:	Song	2024-12-20	NingBo KLS ELECTRONIC CO.,L TD.
.xxx ±0.10	Check:	Daniel	2024-12-20	