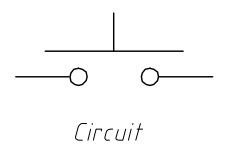
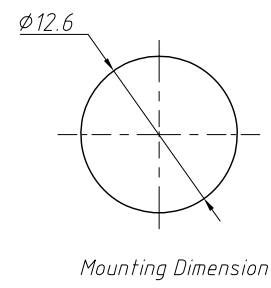
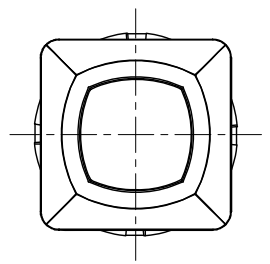
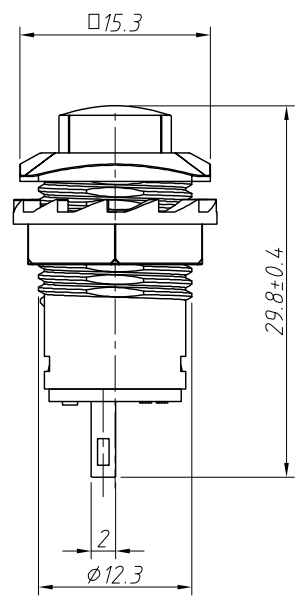
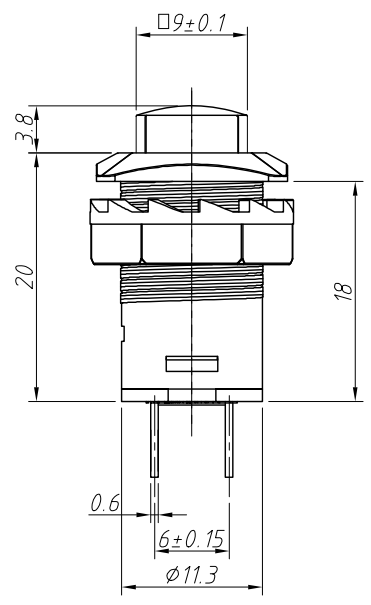


1
RoHS Compliance

6		7		8	
REV	SYM	Revision Record		Appr.	Date
V0	KLS07053	New Version Release		WuHao	2024-12-25



Electric:
 Rating: 1.5A 250V
 3A 125V
 Contact Resistance: 100m Ω Max
 Insulation Resistance: 100M Ω Min
 Dielectric Strength: 500V / 5 Sec Min
 Life: 10000 Cycles Min
 Usage Temperature: T85

Order Information
 L-KLS7-PBS-048B-B

RoHS
 Push Button Switch Series
 Button Color: R=Red G=Green
 B=Black Y=Yellow BL=Blue

ANGLE TOLERANCE	PROJECTION	Description:			
$\pm 3^\circ$		Push Button Switch			
GENERAL TOLERANCE	UNITS	mm	KLS P/N:		
.x ± 0.30	SHEET SIZE	A4	L-KLS7-PBS-048B-X		
.xx ± 0.20	Draw:	WuHao	2024-12-25	NingBo KLS ELECTRONIC CO.,L TD.	
.xxx ± 0.10	Check:	Daniel	2024-12-25		