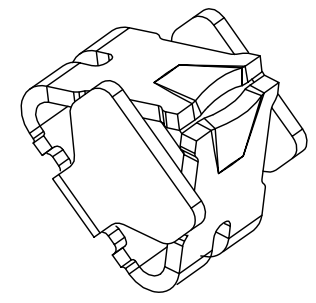
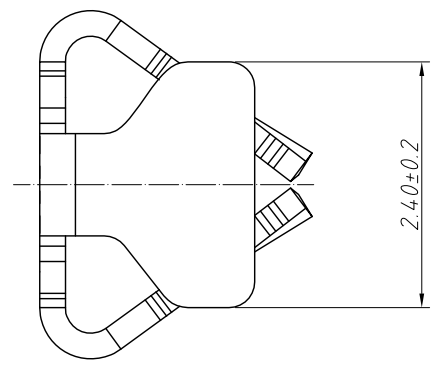
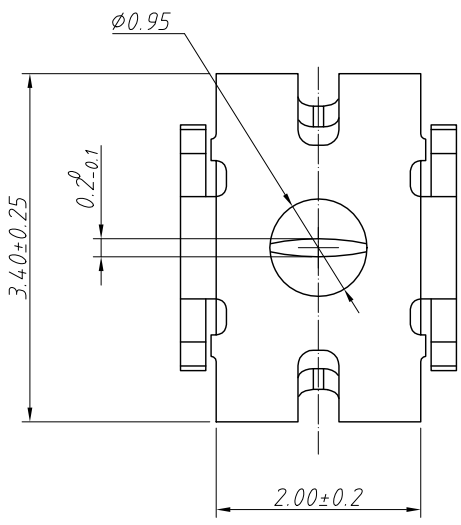


1
RoHS Compliance

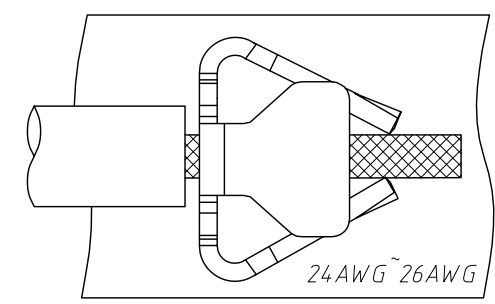
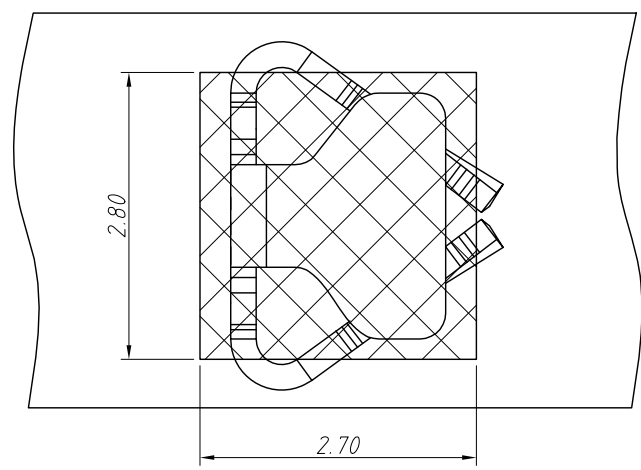
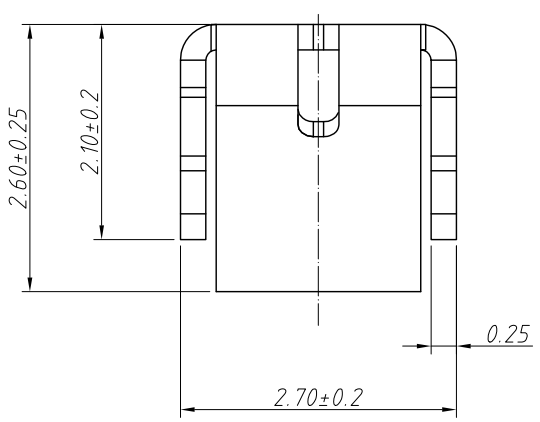
2		3		4		5		6		7		8	
REV	SYM	Revision Record		Appr.	Date								
V0	KLS02056	New Version Release		WuHao	2024-11-26								



Material:
Contacts: Phosphor Bronze/Matte, Sn-Plated

Electric:
Contact Resistance: 30mΩ Max
Rated Voltage: 275V AC DC
Rated Current: 1.0A AC DC
Temperature Range: -40°C ~ +125°C

Recommended PCB Layout
Tolerance: ±0.05mm



ANGLE TOLERANCE		PROJECTION		Description:			
±3°				Poke-in connectors			
GENERAL TOLERANCE		UNITS	mm	KLS P/N:		L-KLS2-L129	
x.	±0.50	SHEET SIZE	A4				
.x	±0.30	Draw:	WuHao	2024-11-26			NingBo KLS ELECTRONIC CO.,LTD.
.xx	±0.20	Check:	Daniel	2024-11-26			